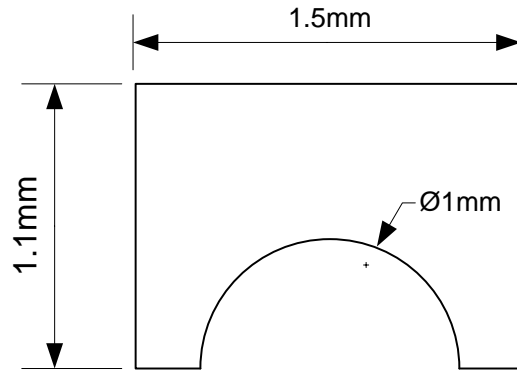
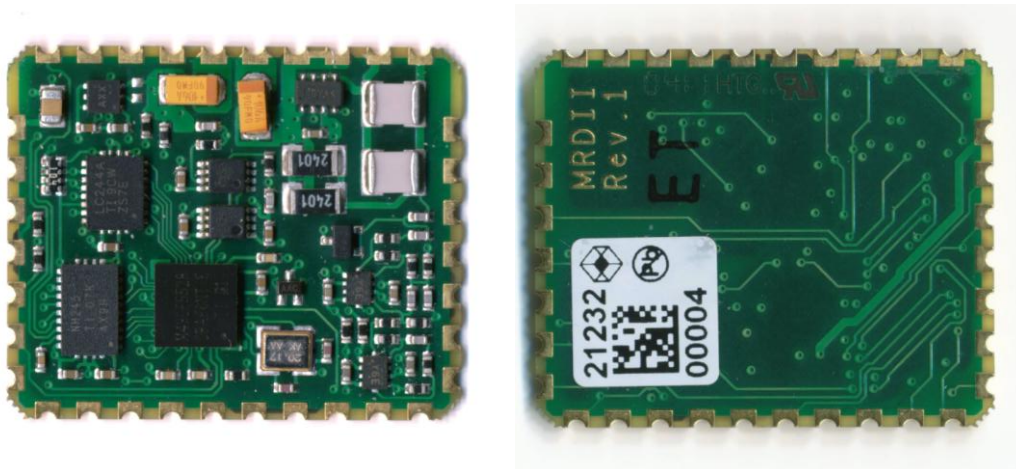


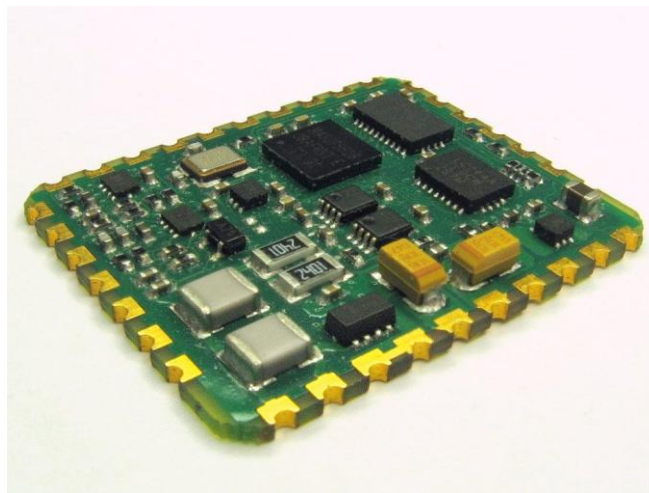
RI-SMD-MRD2 Module Pad Size



Pad Dimension (Top and Bottom Side)



Pictures Top and Bottom Side



Total max. Hight of Module incl. PCB = 3mm (PCB = 1mm)