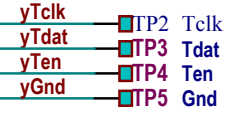
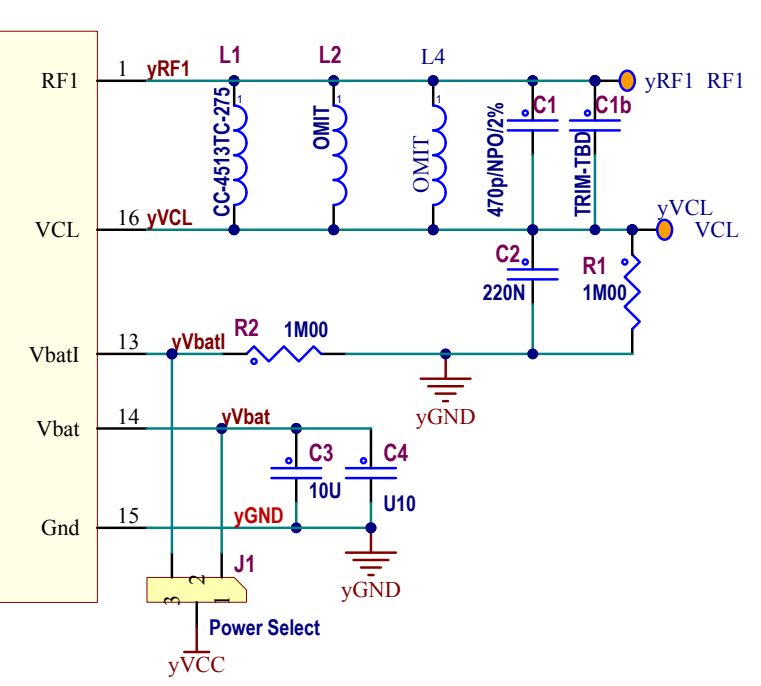
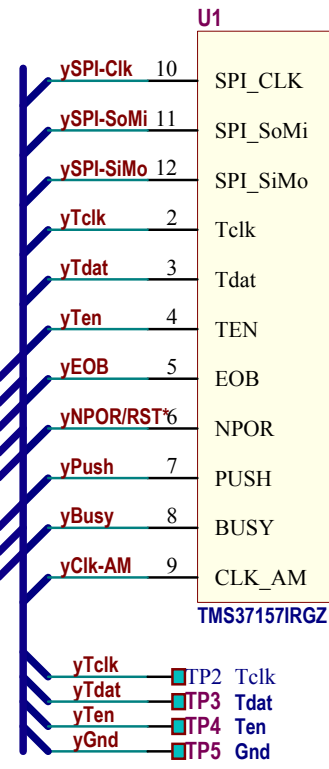
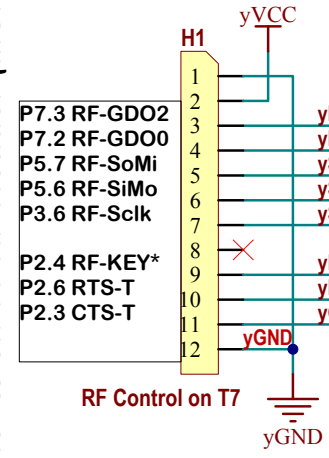


T7 RFID Add on PCB

Pinouts oh T7 RF Header (MSP-5418A)

VCC=Vd+=3.3V on T7



CB

JTAG

ire