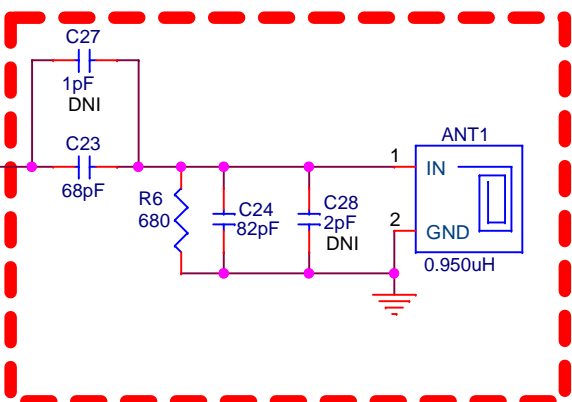


Device Options:
 TRF7960RHB
 TRF7970RHB



Antenna Tuning Example
 Tuning components will
 change for different
 inductance values

This Schematic will drive two separate layouts.
 TRF7960ATB.brd
 TRF7970ATB.brd
 The only difference is the bottom side silkscreen

RFID		
Title TRF79x0ATB		
Size B	Document Number <Doc>	Rev C
Date:	Tuesday, February 28, 2012	Sheet 1 of 1