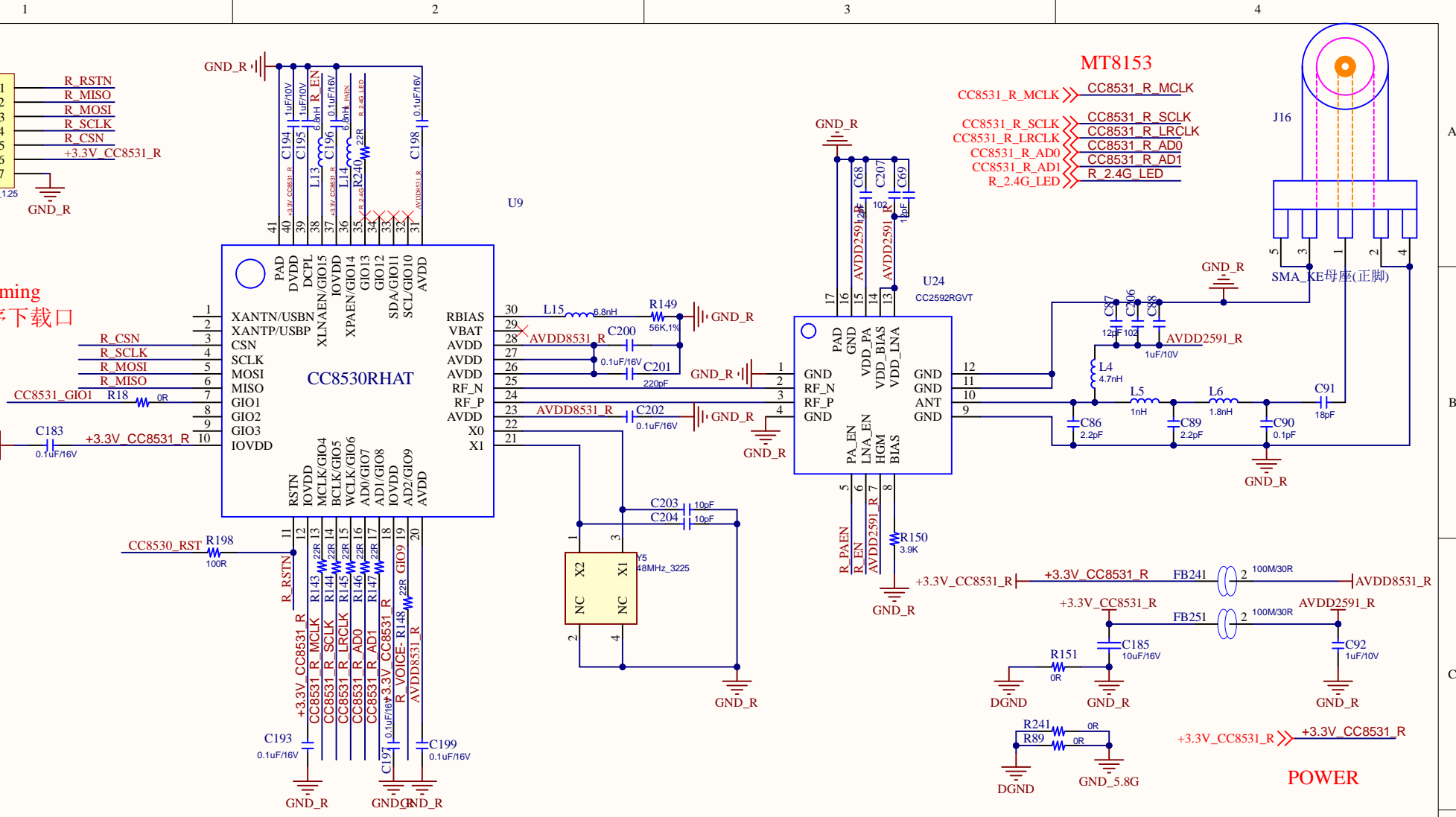
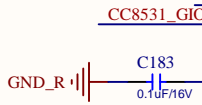
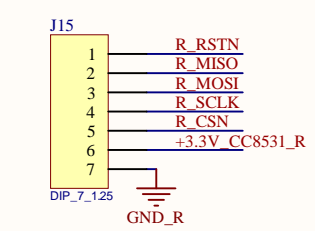


Programming
CC8531程序下载口



- MT8153**
- CC8531_R_MCLK >> CC8531_R_MCLK
 - CC8531_R_SCLK >> CC8531_R_SCLK
 - CC8531_R_LRCLK >> CC8531_R_LRCLK
 - CC8531_R_AD0 >> CC8531_R_AD0
 - CC8531_R_AD1 >> CC8531_R_AD1
 - R_2.4G_LED >> R_2.4G_LED

POWER

Title		
Size	Number	Revision
A4		
Date:	8/06/2024	Sheet of
File:	C:\Users\...\2.4G-5G-RX.SchDoc	Drawn By: