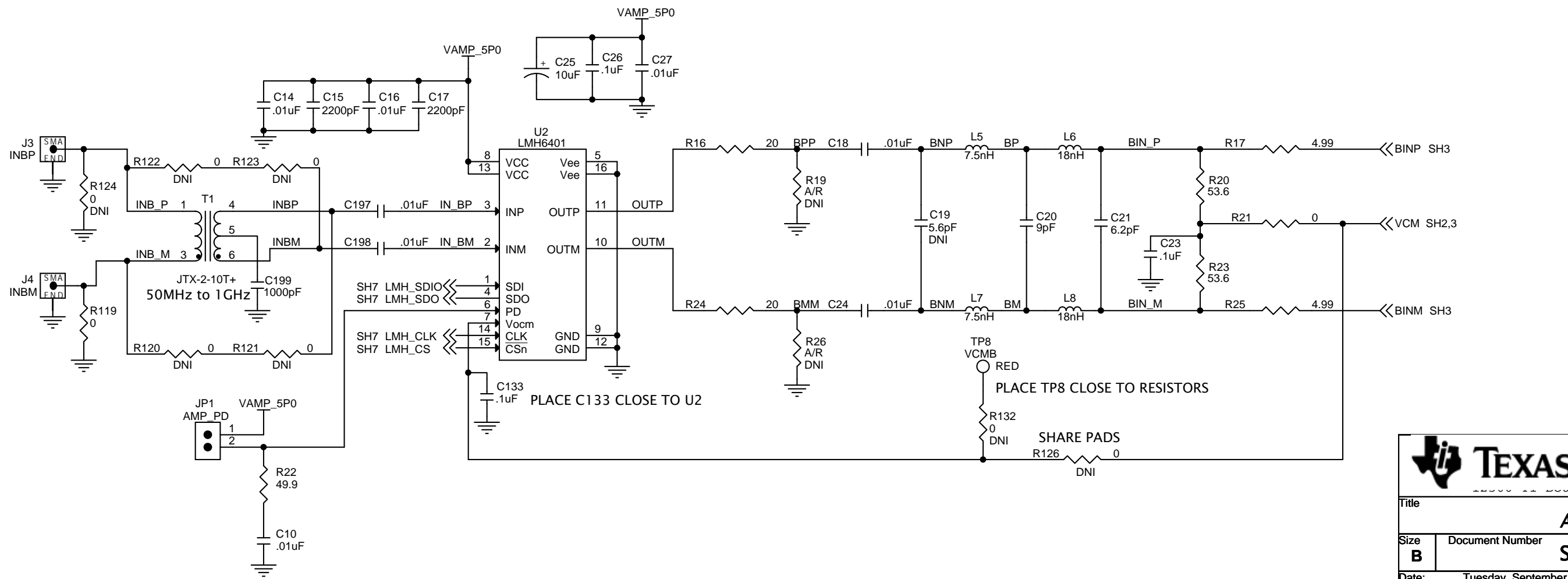
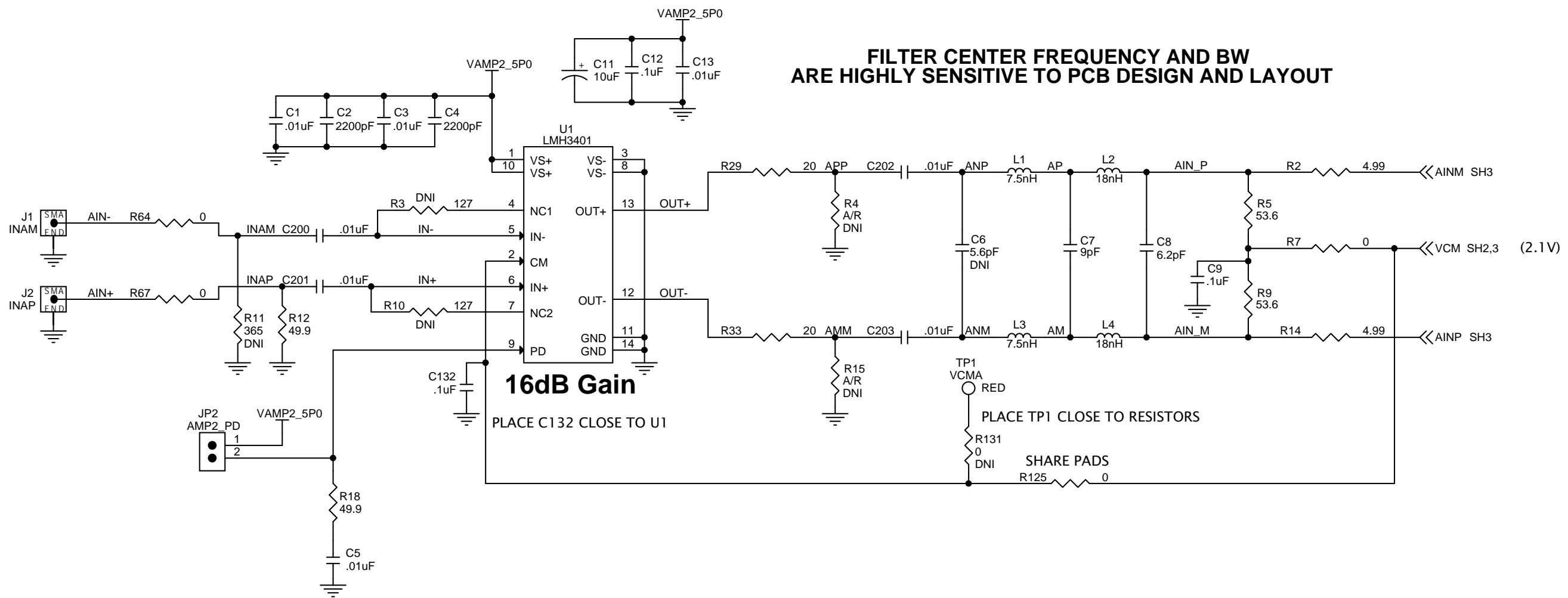
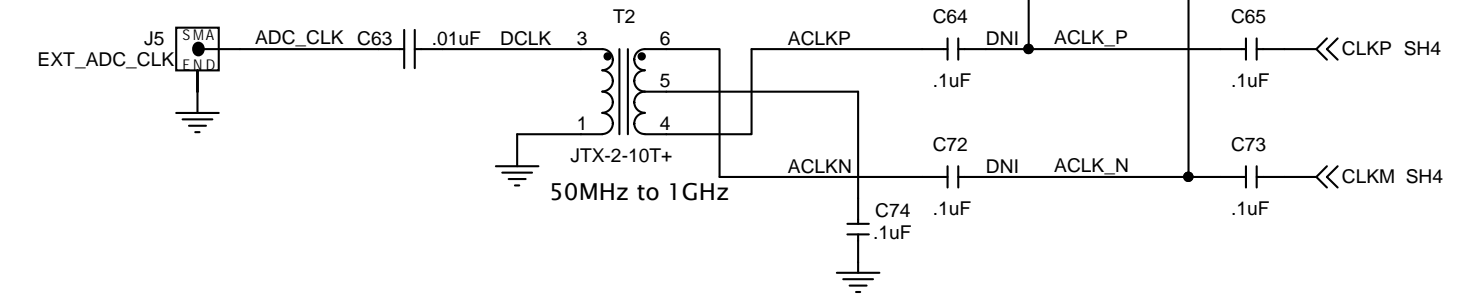
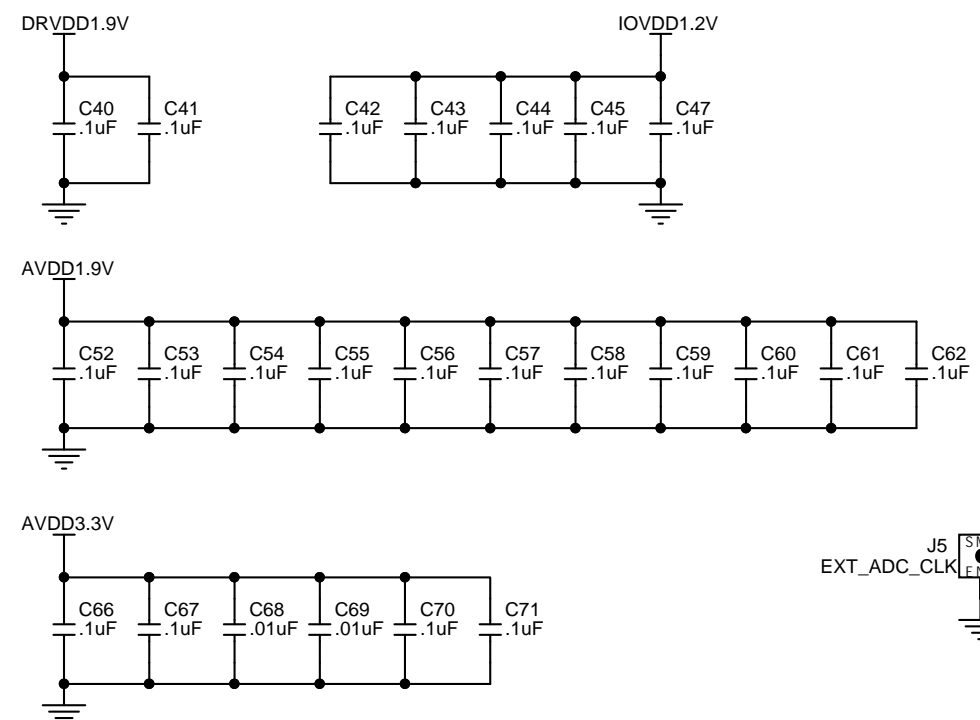
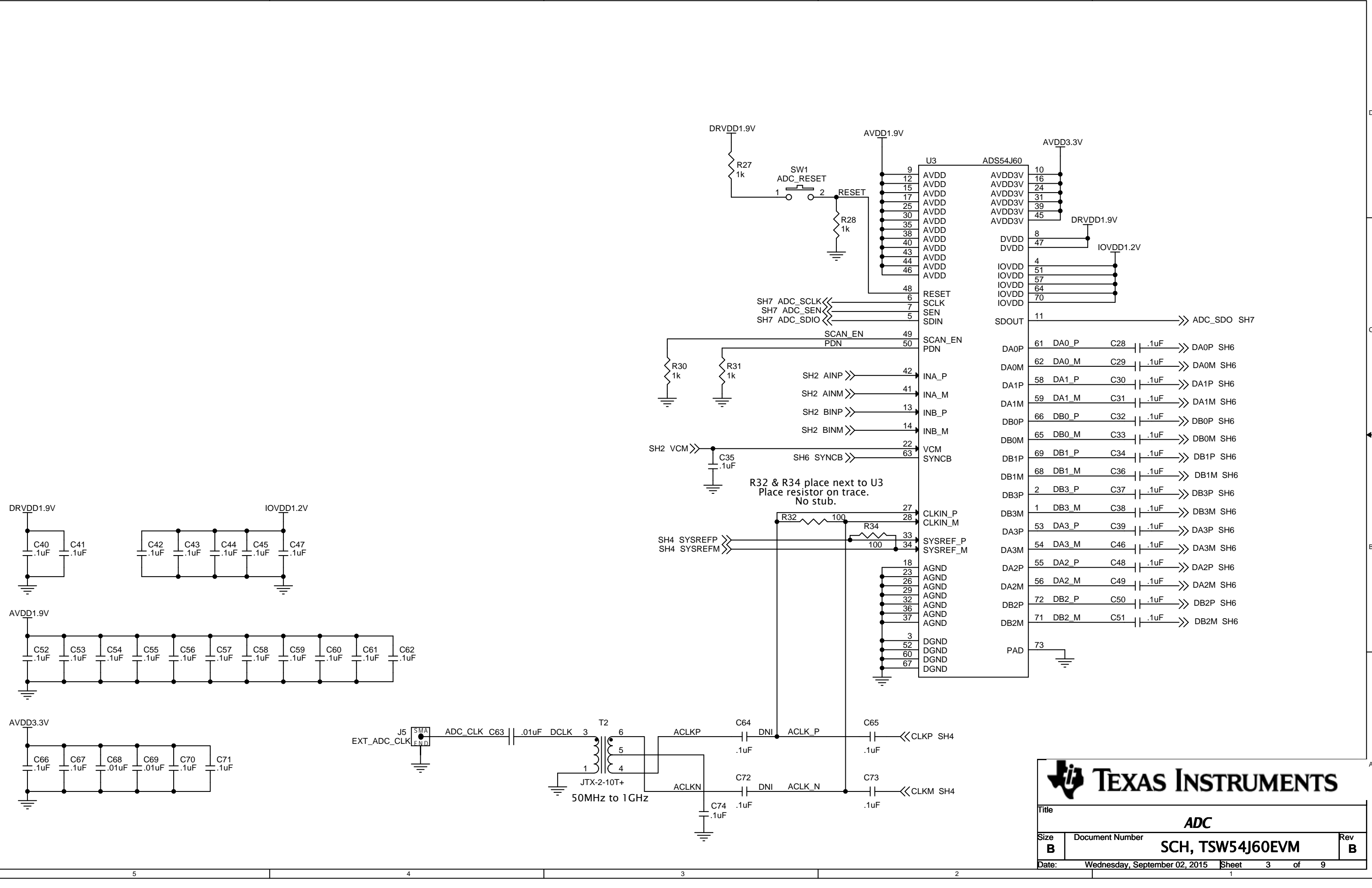


**FILTER CENTER FREQUENCY AND BW ARE HIGHLY SENSITIVE TO PCB DESIGN AND LAYOUT**



**TEXAS INSTRUMENTS**  
 12000 TI Boulevard Dallas, Texas 75243

Title		
<b>ANALOG IN</b>		
Size	Document Number	Rev
<b>B</b>	<b>SCH, TSW54J60EVM</b>	<b>B</b>
Date:	Tuesday, September 08, 2015	Sheet 2 of 9

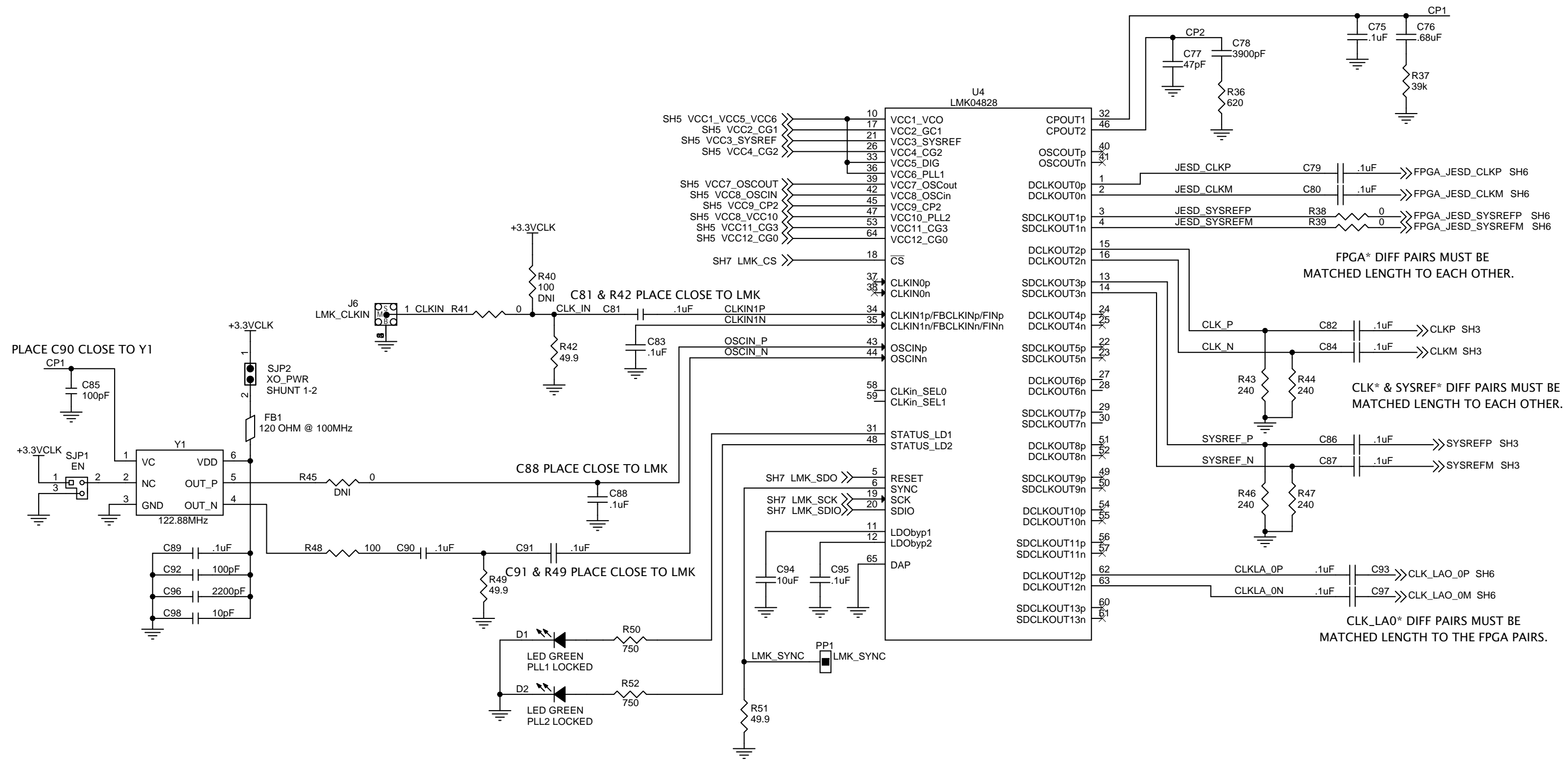


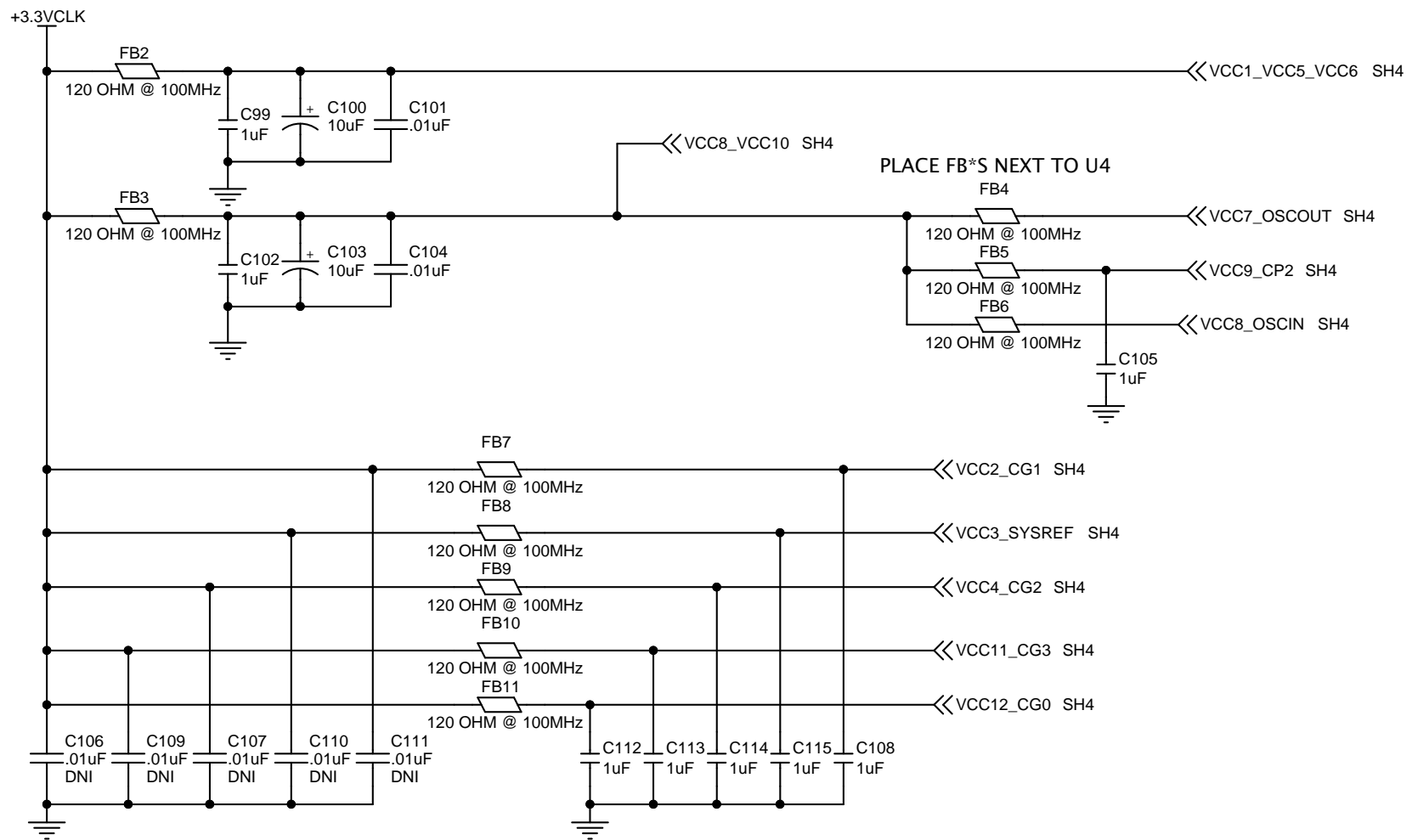
**TEXAS INSTRUMENTS**

Title: **ADC**

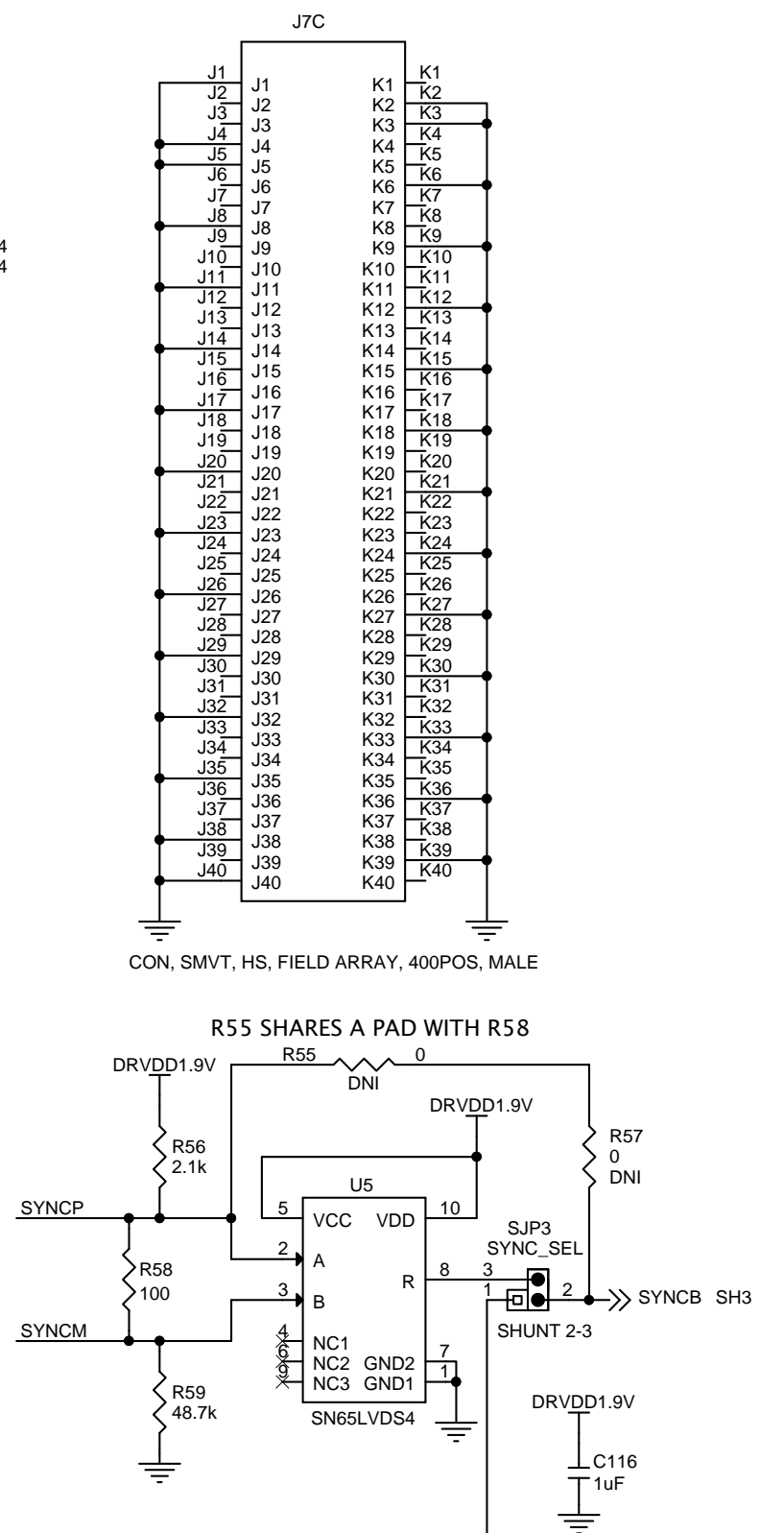
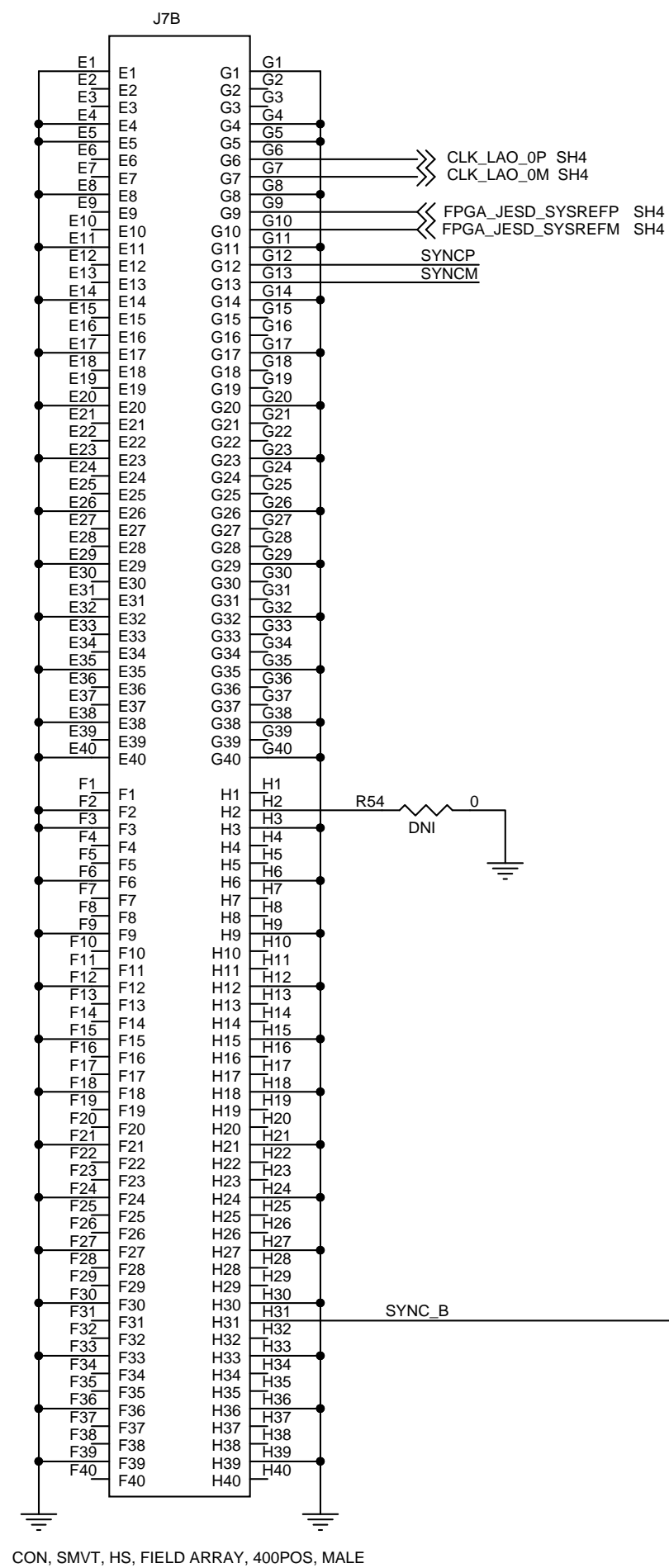
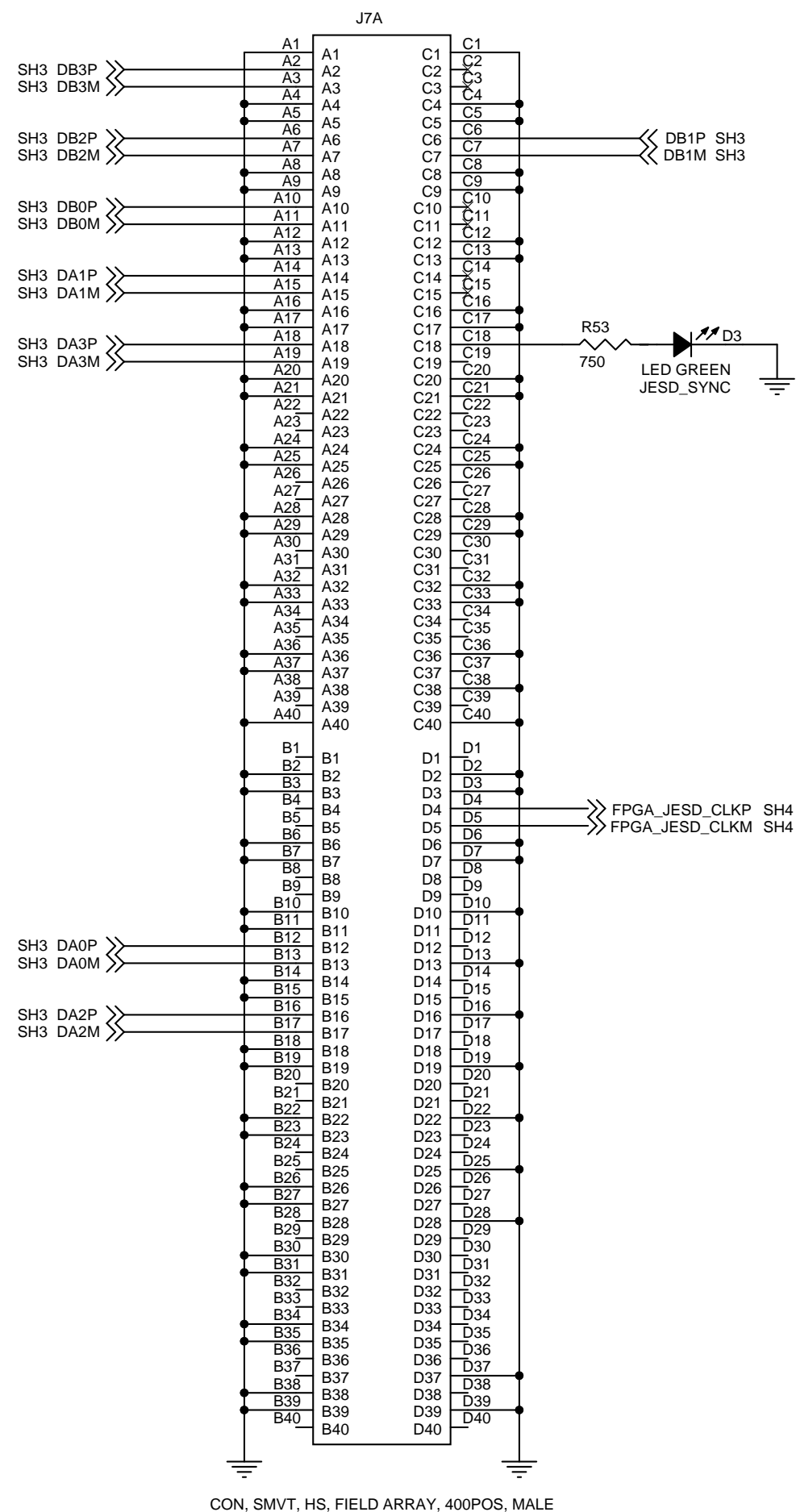
Size: **B** Document Number: **SCH, TSW54J60EVM** Rev: **B**

Date: **Wednesday, September 02, 2015** Sheet: **3** of **9**





Title			<b>LMK POWER</b>		
Size	Document Number			Rev	
<b>B</b>	<b>SCH, TSW54J60EVM</b>			<b>B</b>	
Date:	Wednesday, August 26, 2015	Sheet	5	of	9

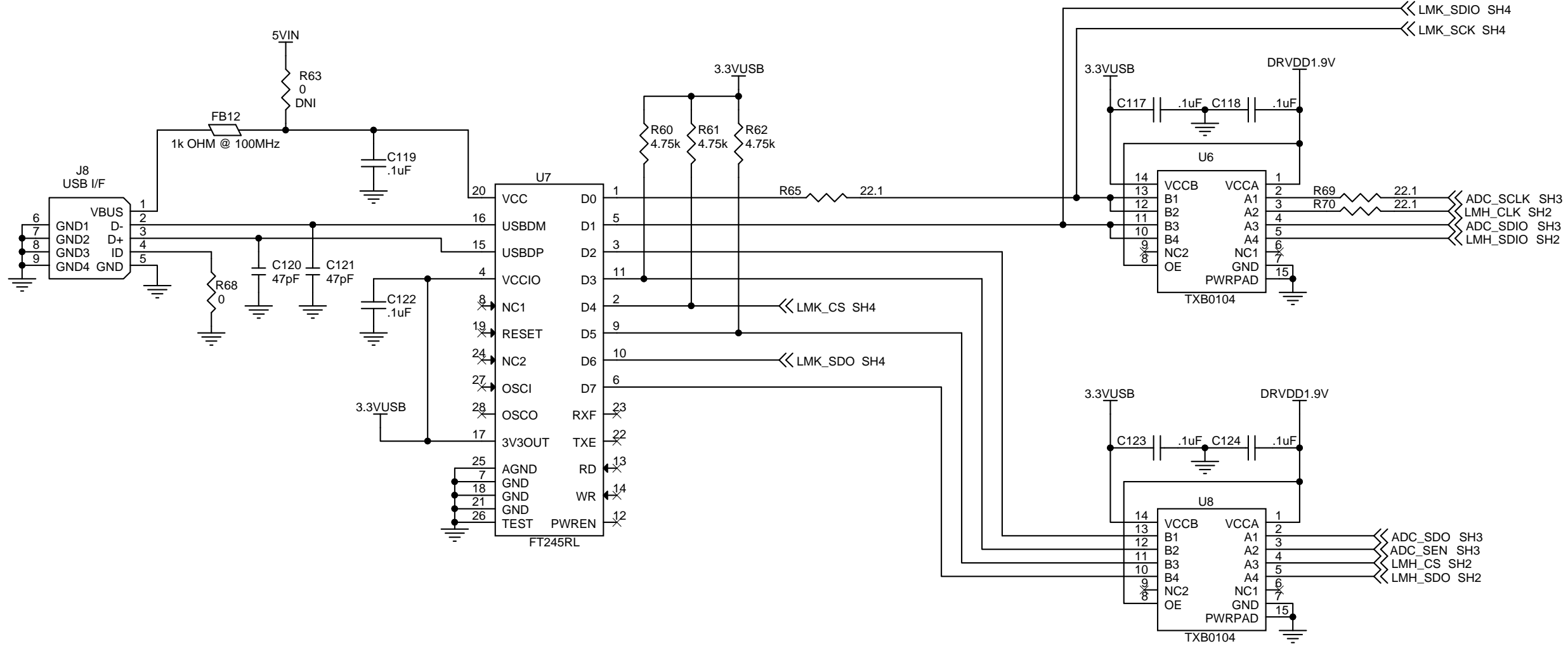


**TEXAS INSTRUMENTS**

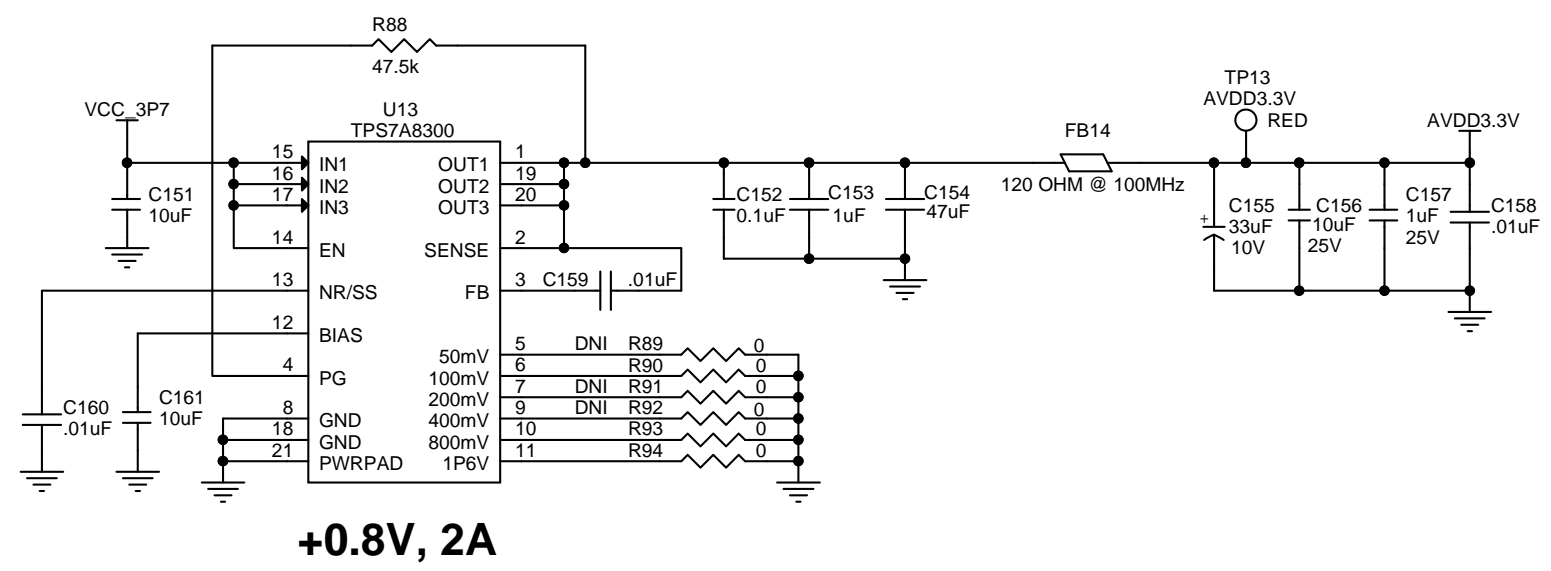
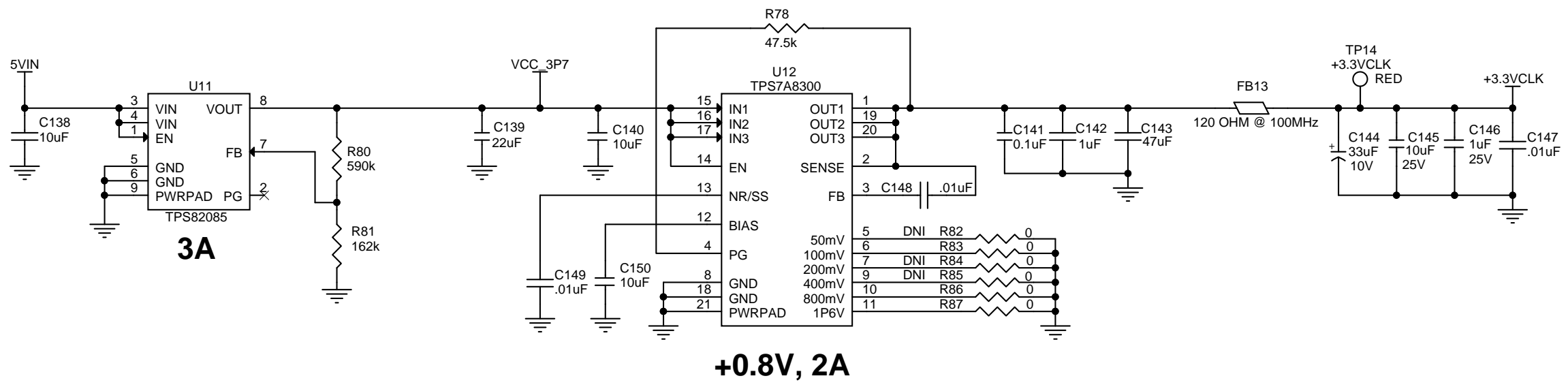
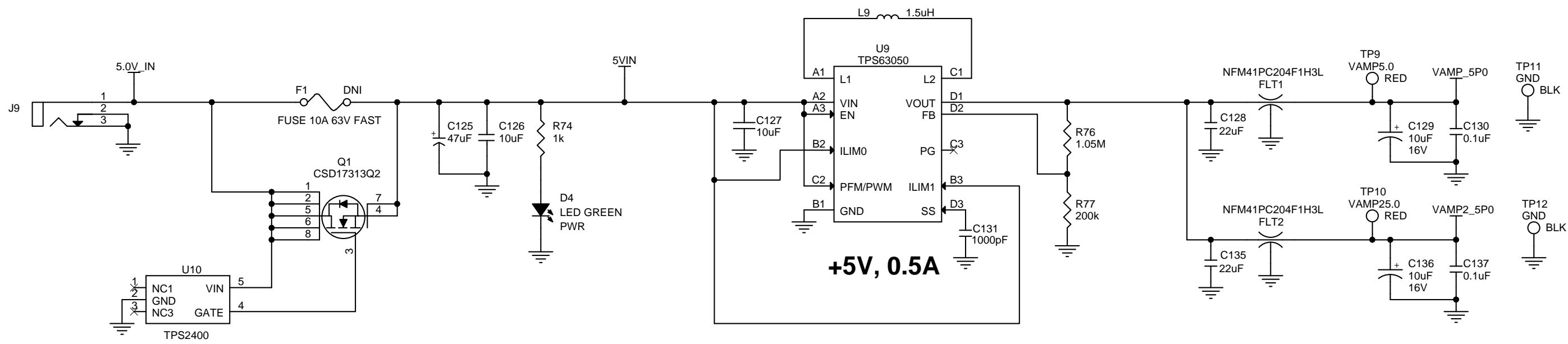
Title **OUTPUT - FMC CONNECTOR**

Size <b>B</b>	Document Number <b>SCH, TSW54J60EVM</b>	Rev <b>B</b>
---------------	---	--------------

Date: Wednesday, August 26, 2015 Sheet 6 of 9



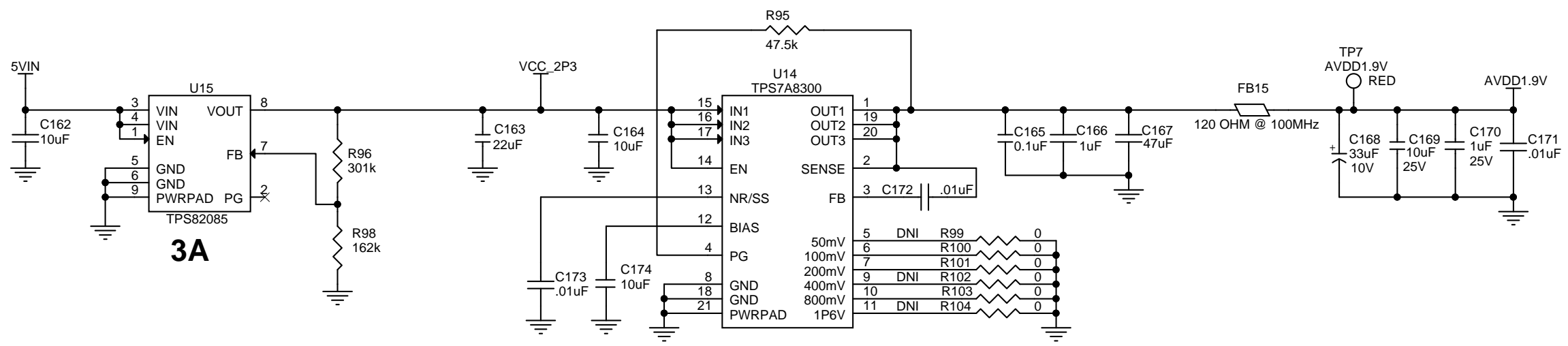
Title			<b>USB</b>		
Size	Document Number	SCH, TSW54J60EVM		Rev	B
Date:	Wednesday, August 26, 2015	Sheet	7	of	9



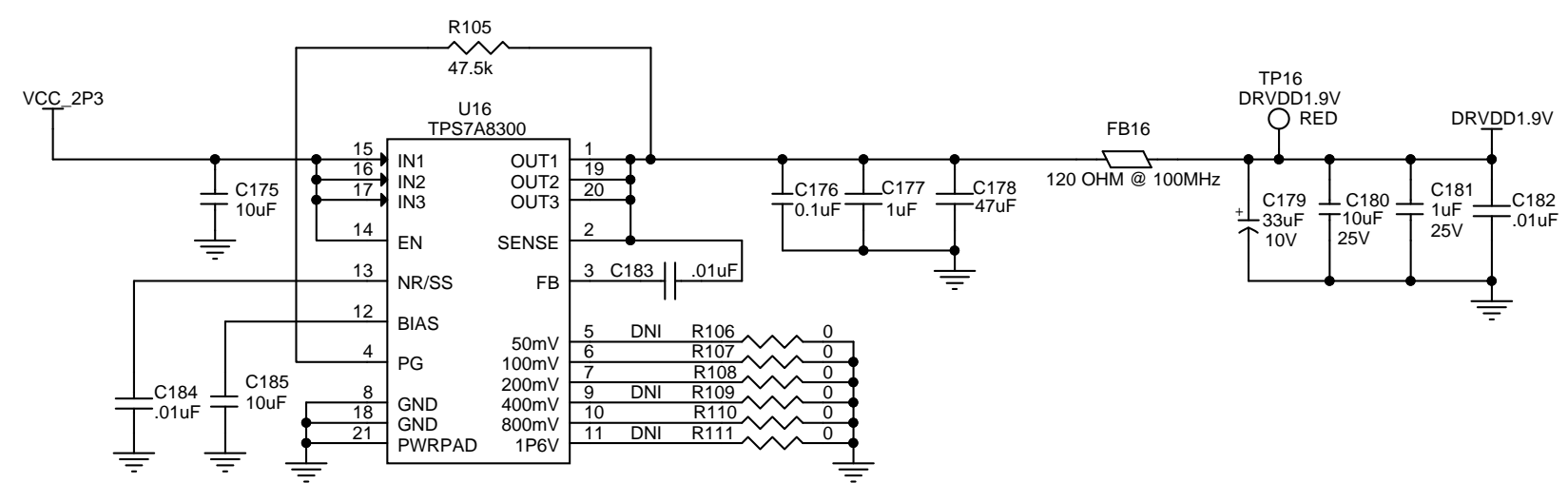
**TEXAS INSTRUMENTS**

Title		
<b>MAIN POWER</b>		
Size	Document Number	Rev
<b>B</b>	<b>SCH, TSW54J60EVM</b>	<b>B</b>
Date:	Wednesday, August 26, 2015	Sheet 8 of 9

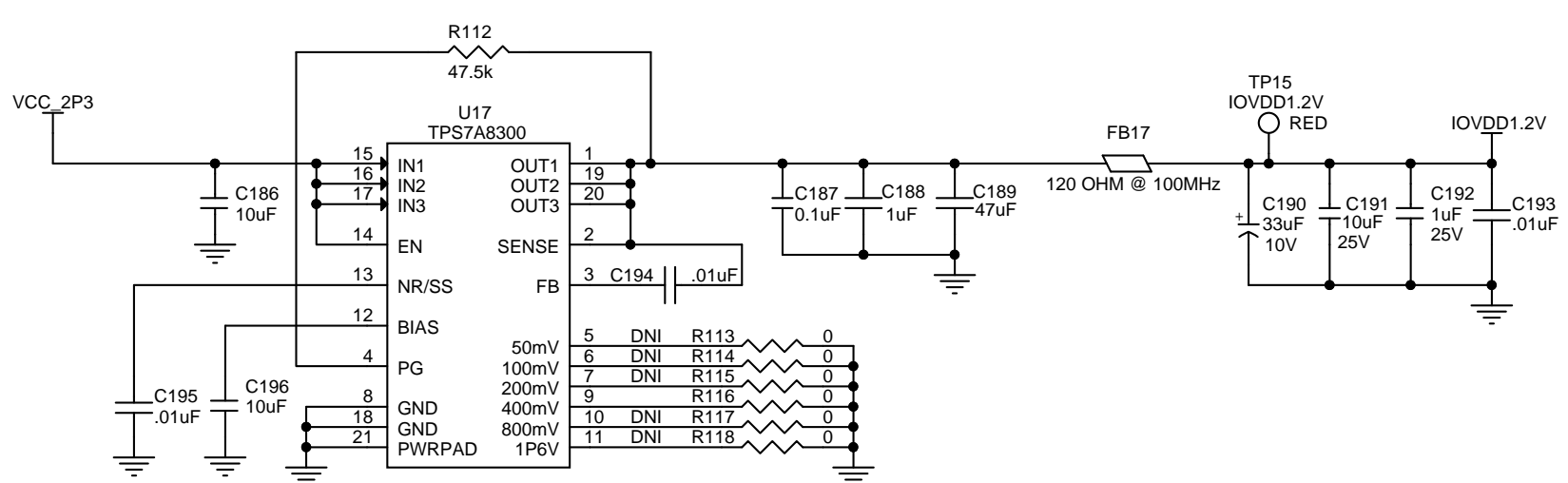




**+0.8V, 2A**

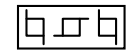


**+0.8V, 2A**



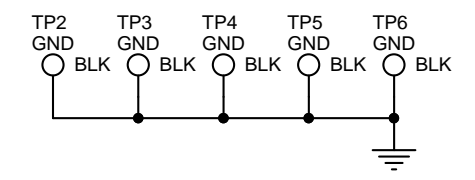
**+0.8V, 2A**

BARE BOARD, TSW54J60



**MECHANICAL PARTS**

- MT1: STANDOFF, FEMALE, 4-40 X 1 3/16", AL
- SCREW, 4-40 X 3/4", PHIL, SS
- MT2: STANDOFF, FEMALE, 4-40 X 1 3/16", AL
- SCREW, 4-40 X 3/4", PHIL, SS



Title			<b>POWER 3.3V</b>		
Size	Document Number	SCH, TSW54J60EVM		Rev	B
Date:	Monday, August 31, 2015	Sheet	9	of	9