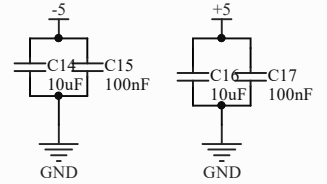
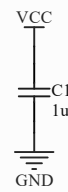


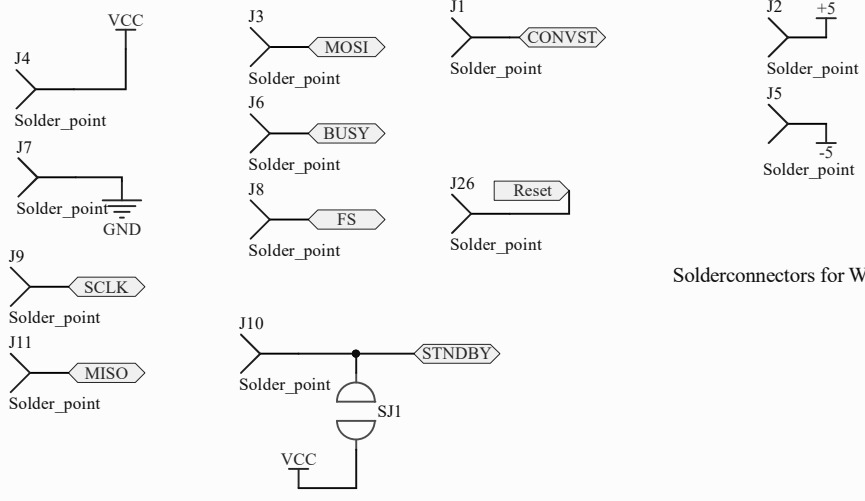
Decoupling caps for ADC between AVDD and AGND. See datasheet page 40



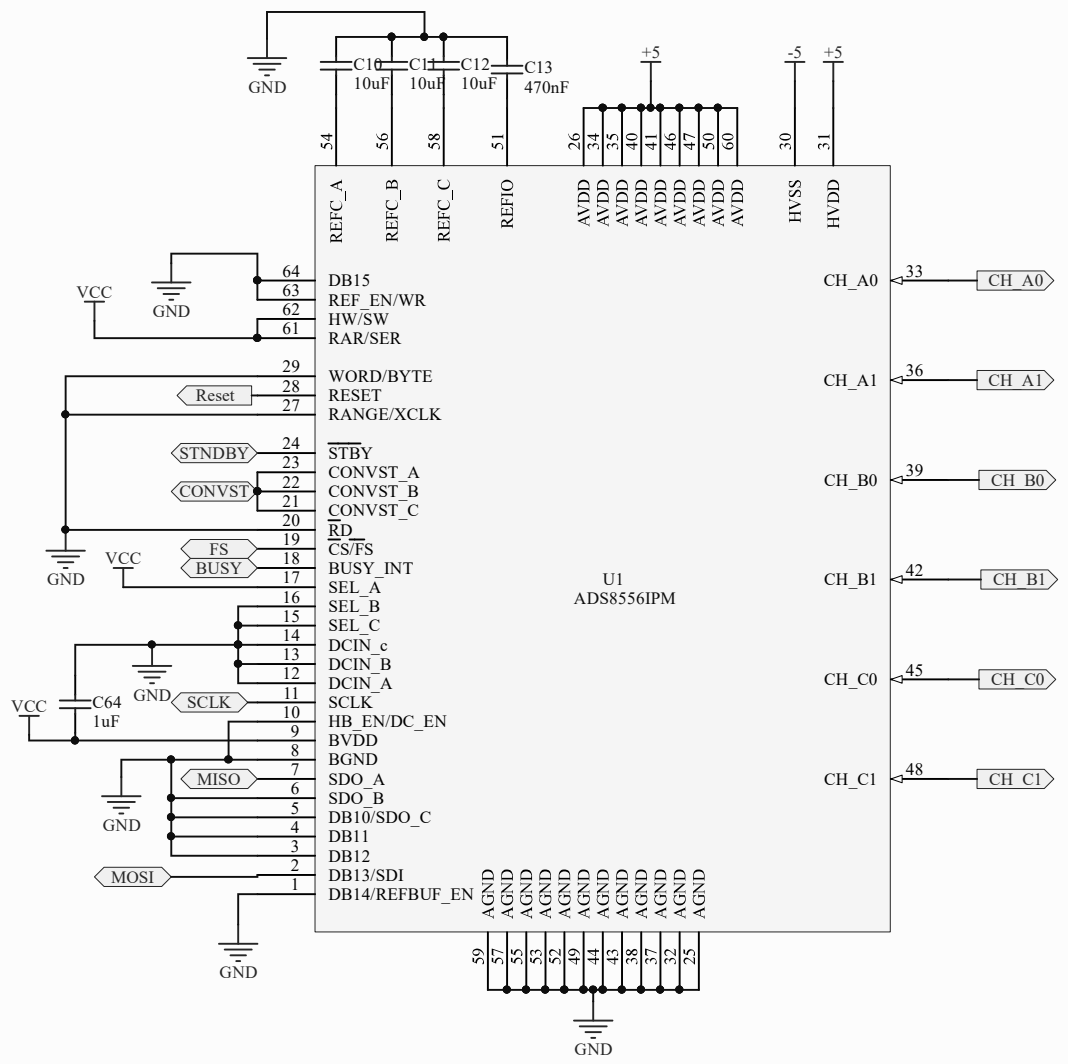
Decoupling caps ADC between HVSS/HVDD and AGND




Decoupling caps ADC between BVDD and BGND



Solderconnectors for Wires



Title			Altium Limited L3, 12a Rodborough Rd Frenchs Forest NSW Australia 2086	
Size: A4	Number:	Revision:		
Date: 01.04.2020	Time: 08:16:21	Sheet of		
File: C:\Users\micha\OneDrive\TU\Seminar IES (1)\ADC.SchDoc				