

ADS1298RECG-FE

ECG Front-End Performance Demonstration Kit

User's Guide



Literature Number: SBAU181B
March 2011 – Revised January 2016

1	ADS1298R Overview	7
1.1	Important Disclaimer Information.....	7
1.2	Introduction.....	8
1.3	Supported Features.....	8
1.4	Features Not Supported in Current Version	9
1.5	ADS1298R Hardware.....	9
2	Quick Start	10
2.1	Default Jumper/Switch Configuration	10
2.2	ADS1298RECG-FE Operation	12
3	Using the ADS1298RECG-FE Software	13
3.1	Application User Menu	14
3.2	Top-Level Application Controls	14
3.3	About Tab.....	15
3.4	ADC Register Tab	16
3.5	Analysis Tab.....	24
3.6	Save Tab.....	33
4	ADS1298RECG-FE Input Signals	35
4.1	Input Short Testing	35
4.2	Internal Test Signals Input	35
4.3	Temperature Sensor	36
4.4	Normal Electrode Input	37
4.5	MV _{DD} Input, RLD Measurement, RLD Positive Electrode Driver, and RLD Negative Electrode Driver.....	37
4.6	Lead Derivation	38
4.7	Wilson Center Terminal (WCT)	38
4.8	Right Leg Drive	38
4.9	PACE Detection.....	39
5	Evaluation of the ADS1298R Respiration Function	41
5.1	Introduction	41
5.2	Testing with Onboard Circuitry.....	41
5.3	Testing with Patient Simulator	44
6	ADS1298R Daughter Card Hardware Details	46
6.1	Jumper Description	46
6.2	Power Supply	48
6.3	Clock	49
6.4	Reference.....	49
6.5	Analog Output Signals	49
6.6	Digital Signals	50
6.7	Analog Input Signals	50
Appendix A	BOM, Layout, and Schematics	52
A.1	ADS1298R Front-End Board Schematics.....	52
A.2	Printed Circuit Board Layout	53

A.3	ECG Cable Details	53
A.4	Bill of Materials	55
Appendix B	External Optional Hardware	57
B.1	Optional External Hardware (Not Included).....	57
B.2	ADS1298R Power-Supply Recommendations	59
Appendix C	Software Installation	60
C.1	Minimum Requirements	60
C.2	Installing the Software	60
Revision History	61

List of Figures

1	ADS1298R Kit	9
2	ADS1298RECG-FE Default Jumper Locations.....	10
3	Software Start Screen/About Tab	13
4	User Menu - File Item.....	14
5	User Menu - Help Item	14
6	Top Level Controls	14
7	Lead-Off Status Registers Display Window.....	15
8	Channel Registers Tab	16
9	Internal Reference and Buffer Connections	17
10	Lead-Off Excitation Options.....	17
11	Input Multiplexer for a Single Channel	18
12	LOFF and RLD Tab	19
13	LOFF_STATP and LOFF_STATN Comparators	20
14	GPIO and OTHER Register Tab	21
15	Wilson Central and Augmented Lead Routing Diagrams	22
16	Device Registers Settings.....	23
17	Scope Tool Features.....	24
18	Scope Analysis Tab (Noise Levels for Each Channel Shown)	24
19	Zoom Tool Options.....	25
20	Histogram Bins for 12-Lead ECG Signal.....	26
21	Statistics for the Signal Amplitude of Eight ECG Channels	26
22	FFT Graph of Normal Electrode Configuration	27
23	AC Analysis Parameters: Windowing Options.....	27
24	FFT Analysis: Input Short Condition	28
25	Changing the User-Defined Dynamic Range for Channel 1	28
26	FFT Plot Using Zoom Tool	29
27	ECG Display Tab Showing LEAD I-III and Augmented Leads	31
28	ECG Signal Zoom Feature for Six Leads	32
29	ECG Signal Zoom Feature for Lead 1.....	32
30	Save Tab	34
31	Example of Internal Test Signals Viewed on the ECG Display Tab.....	35
32	Internal Temperature Sensor	36
33	Eight-Channel Read of Internal Temperature	36
34	Normal Electrode ECG Connection in ECG Display Tab	37
35	Digitization of PACE Signal Using ADS1298R	40
36	Respiration Evaluation with Onboard Circuitry	41
37	Channel 1 Δ Impedance Measurement	42
38	Results After Low-Pass Filtering	42
39	Channel 1 Result for $R_B = 500\Omega$ and $\Delta R = 1\Omega$	45
40	Channel 1 Result for $R_B = 500\Omega$ and $\Delta R = 0.1\Omega$	45
41	ADS1298R Front-End Block Diagram	46
42	Fluke Simulator Configuration	51
43	Top Component Placement.....	53
44	Bottom Component Placement and Routing	53
45	Internal Ground Plane (Layer 2).....	53
46	Internal Power Plane (Layer 3).....	53
47	ECG Cable Schematic.....	54

48	15-Pin, Shielded Connector from Biometric Cables	57
49	15-Pin, Twisted Wire Cable to Banana Jacks	57
50	15-Pin, Twisted Wire Cable	57
51	Cardiosim ECG Simulator Tool.....	58
52	Recommended Power Supply for ADS1298R.....	59
53	Initialization of ADS1298R	60
54	License Agreement	60
55	Installation Process	61
56	Completion of ADS1298R Software Installation.....	61

List of Tables

1	ADS1298RECG-FE Default Jumper/Switch Configuration	11
2	ADS1298R Lead Measurements	38
3	Derived Lead Calculations	38
4	RLD Jumper Options	39
5	ADS1298RECG-FE Default Jumper/Switch Configuration	46
6	Power-Supply Test Points.....	48
7	Analog Supply Configurations (AVDD/AVSS)	48
8	Digital Supply Configurations (DVDD/DGND)	49
9	CLK Jumper Options.....	49
10	External Reference Jumper Options.....	49
11	Test Signals	50
12	Serial Interface Pinout	50
13	Bill of Materials: ADS1298R	55

ADS1298R

This user's guide describes the characteristics, operation, and use of the ADS1298R. This EVM is an evaluation module for the [ADS1298R](#) device, an eight-channel, 24-bit, low-power, integrated analog front-end (AFE) designed for patient monitoring and portable and high-end electrocardiogram (ECG) and electroencephalogram (EEG) applications. The ADS1298R is intended for prototyping and evaluation. This user's guide includes a complete circuit description, schematic diagram, and bill of materials.

The following related documents are available through the Texas Instruments web site at www.ti.com.

Device	Literature Number
ADS1298R, ADS1296R, ADS1294R	SBAS495

1 ADS1298R Overview

1.1 Important Disclaimer Information

CAUTION

NOTICE: The ADS1298R is intended for feasibility and evaluation testing only in laboratory and development environments. This product is not for diagnostic use. This product is not for use with a defibrillator.

The ADS1298R is to be used only under these conditions:

- The ADS1298R is intended only for **electrical** evaluation of the features of the ADS1298R device in a laboratory, simulation, or development environment.
- The ADS1298R is **not** intended for direct interface with a patient, patient diagnostics, or with a defibrillator.
- The ADS1298R is intended for development purposes **ONLY**. It is not intended to be used as all or part of an end equipment application.
- The ADS1298R should be used only by qualified engineers and technicians who are familiar with the risks associated with handling electrical and mechanical components, systems, and subsystems.
- You are responsible for the safety of yourself, your fellow employees and contractors, and your co-workers when using or handling the ADS1298R. Furthermore, you are fully responsible for the contact interface between the human body and electronics; consequently, you are responsible for preventing electrical hazards such as shock, electrostatic discharge, and electrical overstress of electric circuit components.

1.2 Introduction

The ADS1298R is intended for evaluating the [ADS1298R](#) low-power, 24-bit, simultaneously sampling, eight-channel front-end for ECG and EEG applications. The digital SPI™ control interface is provided by the MMB0 Modular EVM motherboard (Rev. C or higher) that connects to the ADS1298R ECG FE evaluation board (Rev. A). The ADS1298R is **NOT** a reference design for ECG and EEG applications; rather, its purpose is to expedite evaluation and system development. The output of the ADS1298R yields a raw, unfiltered ECG signal.

The MMB0 motherboard allows the ADS1298R to be connected to the computer via an available USB port. This manual shows how to use the MMB0 as part of the ADS1298R, but does not provide technical details about the MMB0 itself.

Throughout this document, the abbreviation *EVM* and the term *evaluation module* are synonymous with the ADS1298RECG-FE.

1.3 Supported Features

Hardware Features:

- Configurable for bipolar or unipolar supply operation
- Configurable for internal and external clock and reference via jumper settings
- Configurable for AC- or DC-coupled inputs
- Configurable for up to 12 standard ECG leads
- External Right Leg Drive (RLD) Reference ($V_{CC} - V_{EE}$)/2
- External shield drive amplifier
- External Wilson central voltage
- Easy connectivity to popular ECG simulators
- On-board respiration circuitry for Impedance Pneumography evaluation

Software Features:

- Designed to display 12 lead ECG data
- Analysis tools including a virtual oscilloscope, histogram, FFT, and ECG display
- File printing for post-processing of raw ECG data
- Sets the ADS1298R register settings via easy-to-use graphic user interface (GUI) software

1.4 Features Not Supported in Current Version

- Real-time data processing
- AC lead-off detection filters
- QRS detection algorithms
- Software PACE detection algorithms

1.5 ADS1298R Hardware

Figure 1 shows the hardware included in the ADS1298R kit. Contact the factory if any component is missing. The latest software is available on the TI website at <http://www.ti.com>; you should verify that you have the latest software before using the device.

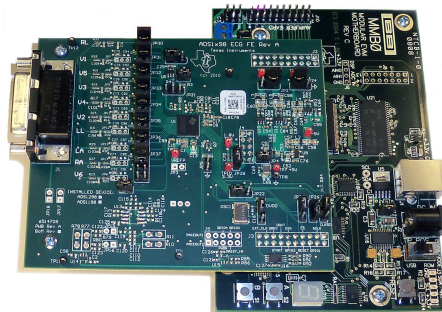


Figure 1. ADS1298R Kit

The complete kit includes the following items:

- ADS1298R ECG FE printed circuit board (PCB), Rev A
- MMB0 (Modular EVM motherboard, Rev C or higher)

2 Quick Start

This section provides a QuickStart guide to quickly begin evaluating the EVM using the ADS1298RECG-FE software.

2.1 Default Jumper/Switch Configuration

Figure 2 shows the jumpers found on the ADS1298RECG-FE EVM and the respective factory default conditions for each.

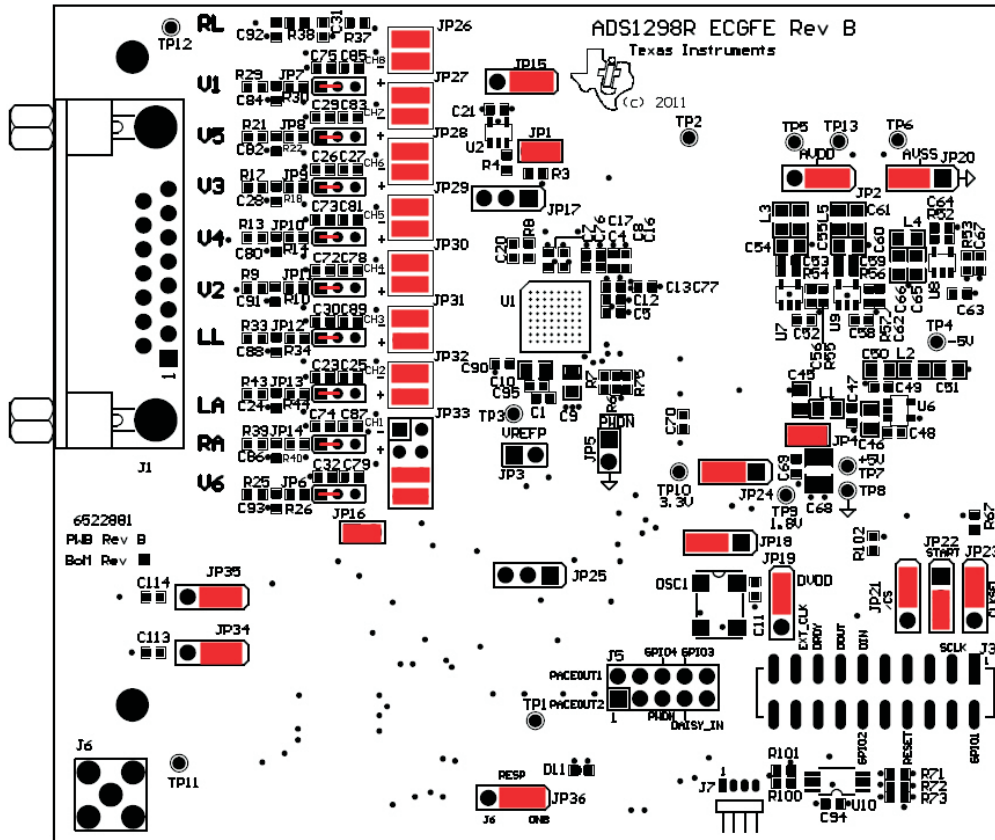


Figure 2. ADS1298RECG-FE Default Jumper Locations

Table 1 lists the jumpers and switches and the factory default conditions.

Table 1. ADS1298RECG-FE Default Jumper/Switch Configuration

Jumper	Default Position	Description
JP1	Installed	RLD feedback
JP2	Installed 1-2	AVDD selected for bipolar supply operation selected (AVDD = +2.5V)
JP3	Header Not Installed	External Vref buffer not connected
JP4	Installed	EVM +5V provided from J4 (power header)
JP5	Open	$\overline{\text{PWDN}}$ pin controlled from J5 header (pulled up to DVDD)
JP6 to JP14	Header Not Installed (Pins 1-2 shorted on PCB)	DC-coupled input signals
JP15	Installed 2-3	Shield drive is open
JP16	Installed	Wilson Central Terminal (WCT) connected to INM for CH1 and CH4-8
JP17	Header Not Installed	ECG shield drive is connected to AGND
JP18	Installed 2-3	CLK connected to OSC1
JP19	Installed 1-2	OSC1 enabled
JP20	Installed 2-3	AVSS selected for bipolar supply operation (AVSS = -2.5V)
JP21	Installed 1-2	$\overline{\text{CS}}$ connected to DSP via J3.1
JP22	Installed 2-3	START comes from J3.14
JP23	Installed 1-2	CLKSEL set to 0
JP24	Installed 2-3	DVDD supply = 3.3V
JP25	Header Not Installed	No external reference selected
JP26	Installed 1-2 (top)	WCT connected to CH8- input
	Installed 3-4 (bottom)	ECG_V1 connected to CH8+ input
JP27	Installed 1-2 (top)	WCT connected to CH7- input
	Installed 3-4 (bottom)	ECG_V5 connected to CH7+ input
JP28	Installed 1-2 (top)	WCT connected to CH6- input
	Installed 3-4 (bottom)	ECG_V4 connected to CH6+ input
JP29	Installed 1-2 (top)	WCT connected to CH5- input
	Installed 3-4 (bottom)	ECG_V3 connected to CH5+ input
JP30	Installed 1-2 (top)	WCT connected to CH4- input
	Installed 3-4 (bottom)	ECG_V2 connected to CH4+ input
JP31	Installed 1-2 (top)	ECG_RA connected to CH3- input
	Installed 3-4 (bottom)	ECG_LL connected to CH3+ input
JP32	Installed 1-2 (top)	ECG_RA connected to CH2- input
	Installed 3-4 (bottom)	ECG_LA connected to CH2+ input
JP33	Open 1-2 (top)	Not connected
	Open 3-4	Not connected
	Installed 5-6	CH1- input connected to source of JP35
	Installed 7-8 (bottom)	CH1+ input connected to source of JP36
JP34	Installed 1-2	Connected onboard RESP circuit to CH1- signal input mux (RESPMOD-)
JP35	Installed 1-2	Connected onboard RESP circuit to CH1+ signal input mux (RESPMOD+)
JP36	Installed 1-2	RESP control signal for U11/U12 controlled by MSP430 (U14)

2.2 ADS1298RECG-FE Operation

To prepare to evaluate the ADS1298R with the ADS1298RECG-FE, complete the following steps:

1. Verify the jumpers on the ADS1298RECG-FE are as shown in [Figure 2](#) (note that these settings are the factory-configured settings for the board).
2. Verify that the jumpers on the MMB0 motherboard are configured as shown below:
 - MMB0 J13A → Open
 - MMB0 J13B → Open
 - Refer to Appendix B2 for details about the MMB0 power supply
3. Install the ADS1298RECG-FE software using the latest software version. The latest software can be downloaded from the [ADS1298RECG-FE product page](#). Double click the installer and follow the instruction to complete the software installation. For detailed installation information and screenshots, see [Appendix C](#).

3 Using the ADS1298RECG-FE Software

The ADS1298RECG-FE software provides complete control over all the settings of the ADS1298R. By using the user interface (UI), the ADS1298R control registers can be manipulated to evaluate the various options available on the device. [Figure 3](#) shows the starting UI screen of the software. The UI consists of a user menu ([Section 3.1](#)), a few top-level controls ([Section 3.2](#)), and a tabbed interface, with different functions available on the different tabs. The tabs are:

- About ([Section 3.3](#))
- ADC Register ([Section 3.4.3](#))
- Analysis ([Section 3.5](#))
- Save ([Section 3.6](#))

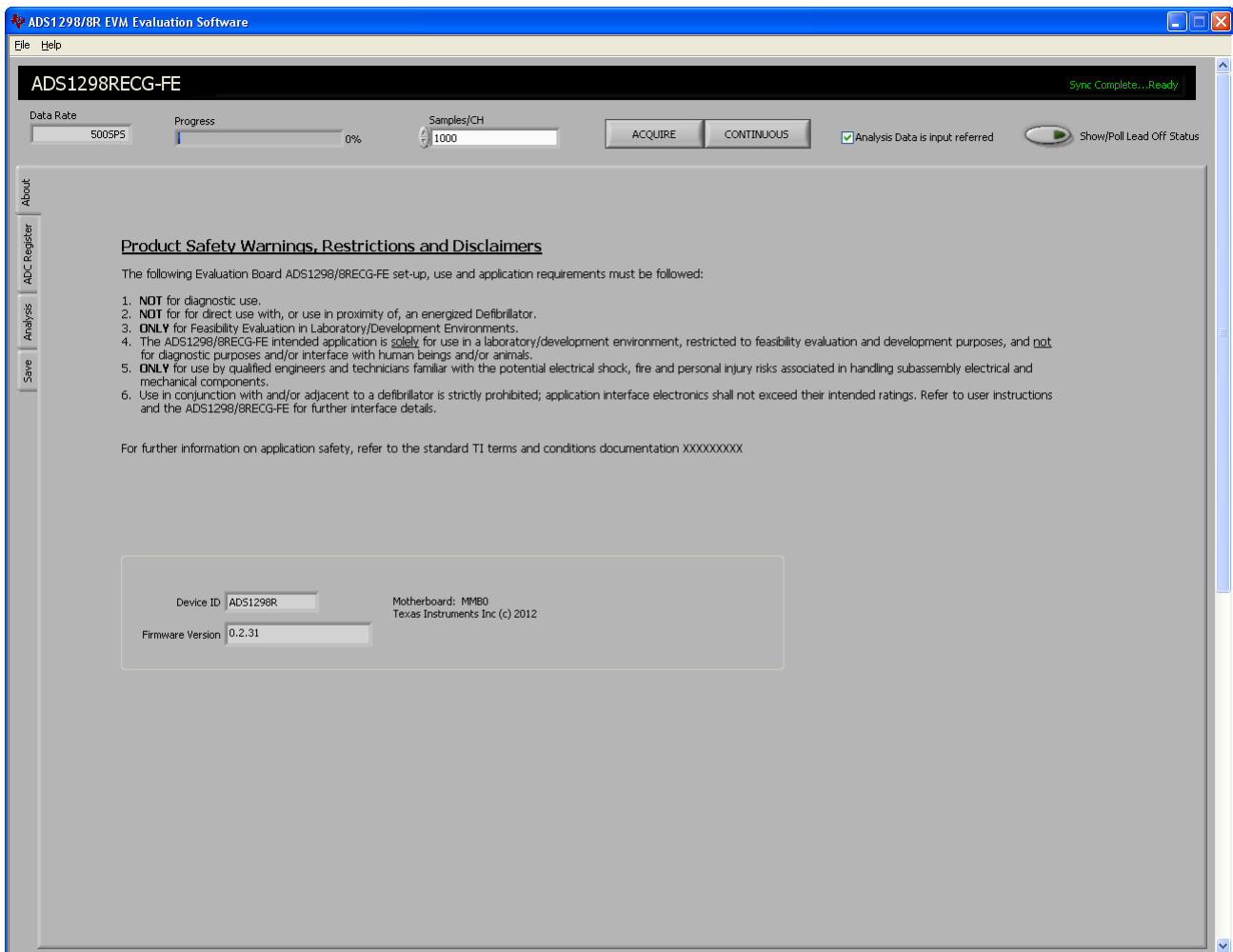


Figure 3. Software Start Screen/About Tab

The user can adjust the settings when the software is not acquiring data. During acquisition, all controls are disabled and settings may not be changed. When a setting is changed via a control, the settings are immediately updated on the device and EVM. Settings in the software correspond to settings described in the [ADS1298R product data sheet](#).

3.1 Application User Menu

The application user menu is located along the top of the application menu. It consists of two items: *File* and *Help*.

File Menu (see Figure 4)

The *File* menu provides several options:

- **Capture Screen** takes a screen capture of the current view of the application and saves it as to a file specified by the user.
- **Save Configuration Settings** saves the current states of the ADS1298R control registers for reloading at a later time. This file is different from the save register on the **Save** tab (see Section 3.6), which saves the current register map to a tab-delimited text file.
- **Load Configuration Settings** loads a previously save configuration setting file and initializes the hardware and software to the settings within the configuration file. The configuration file must be a file saved previously from this application using the Save Configuration Settings command, not a file from the **Save** tab.
- **Exit** closes the application.

Help Menu (see Figure 5)

The *Help* menu provides the *About* option, which display the software and firmware version that is currently being used. Please have this information if you need to request assistance or have a question regarding the software or hardware.

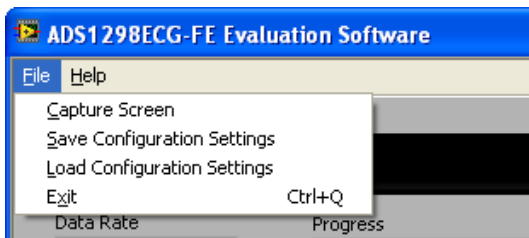


Figure 4. User Menu - File Item

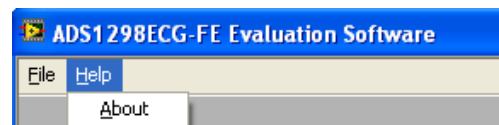


Figure 5. User Menu - Help Item

3.2 Top-Level Application Controls

Several controls/indicators are located along the top of the UI screen (see Figure 6). The controls and indicators are described below.

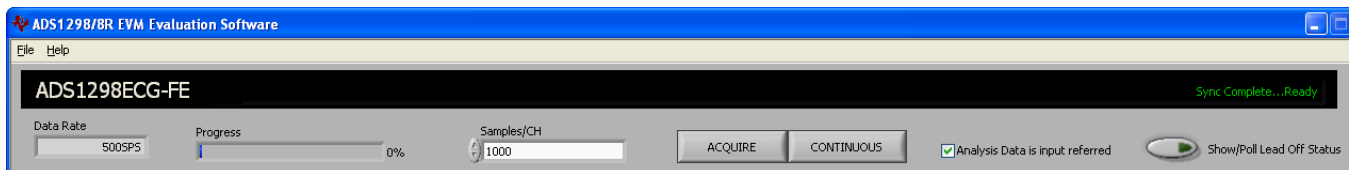


Figure 6. Top Level Controls

The **Data Rate** indicator displays the current data rate of the ADS1298R. The data rate can be configured in CONFIG1 control register (see Section 3.4.2.1).

The **Progress** indicator will display the current progress of data transfer to the PC during acquisition cycles.

The **Samples/CH** control allows for the selection of the number of points, per channel, to collect during an acquisition cycle. Keep in mind the value entered into this control in relation to the current data rate. Large numbers of samples, coupled with slower data rates, can take time to acquire.

The **ACQUIRE** control starts the acquisition process. When pressed, the software will collect the requested number of samples from the ADS1298R. All points collected during an acquisition process will be contiguous points.

The **CONTINUOUS** control starts a repeated acquisition process. This function acquires the requested samples and repeats the data acquisition until the button is turned off. Within a single acquisition cycle, the points will be contiguous, but from acquisition to acquisition, there may be points missing.

The **Analysis Data input referred** checkbox changes the displayed data that is read from the ADC. Checking the box displays the data input referred, while not checking displays the data as converted.

The **Show/Poll Lead Off Status** displays a window (see Figure 7) that shows the status of the Lead-Off status registers, *LOFF STATP* and *LOFF STATN*, of the ADS1298R. When the lead for the channel is disconnected, the corresponding channel LED changes from green to red.

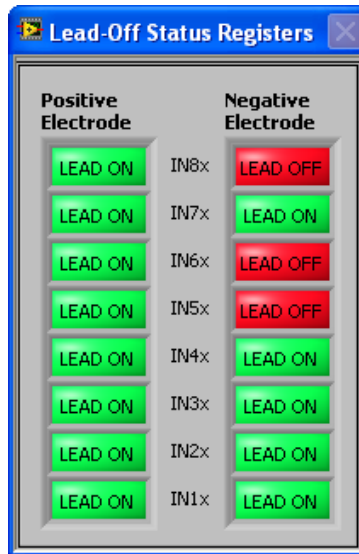


Figure 7. Lead-Off Status Registers Display Window

3.3 About Tab

The *About* tab provides software information to the user. Important safety warning, restrictions, and disclaimers for the software and hardware are shown and should be followed during the evaluation of this product. Additional indicators are present to provide device information (**Device ID** and **Rev**) and software information (**Firmware Version**). The *About* tab should be the first screen displayed at startup (see Figure 3).

3.4 ADC Register Tab

The **ADC Register** tab provides controls to manipulate ADC control registers of the ADS1298R. Details of the control registers are provided in the [product datasheet](#). The **ADC Register** tab consists of a few controls and several sub-tabs that further divide the control registers into different functions groups. The sub-tabs are:

- Channel Registers tab ([Section 3.4.2](#))
- LOFF and RLD tab ([Section 3.3](#))
- GPIO and Other Registers tab ([Section 3.4.4](#))
- Register Map tab ([Section 3.4.5](#))

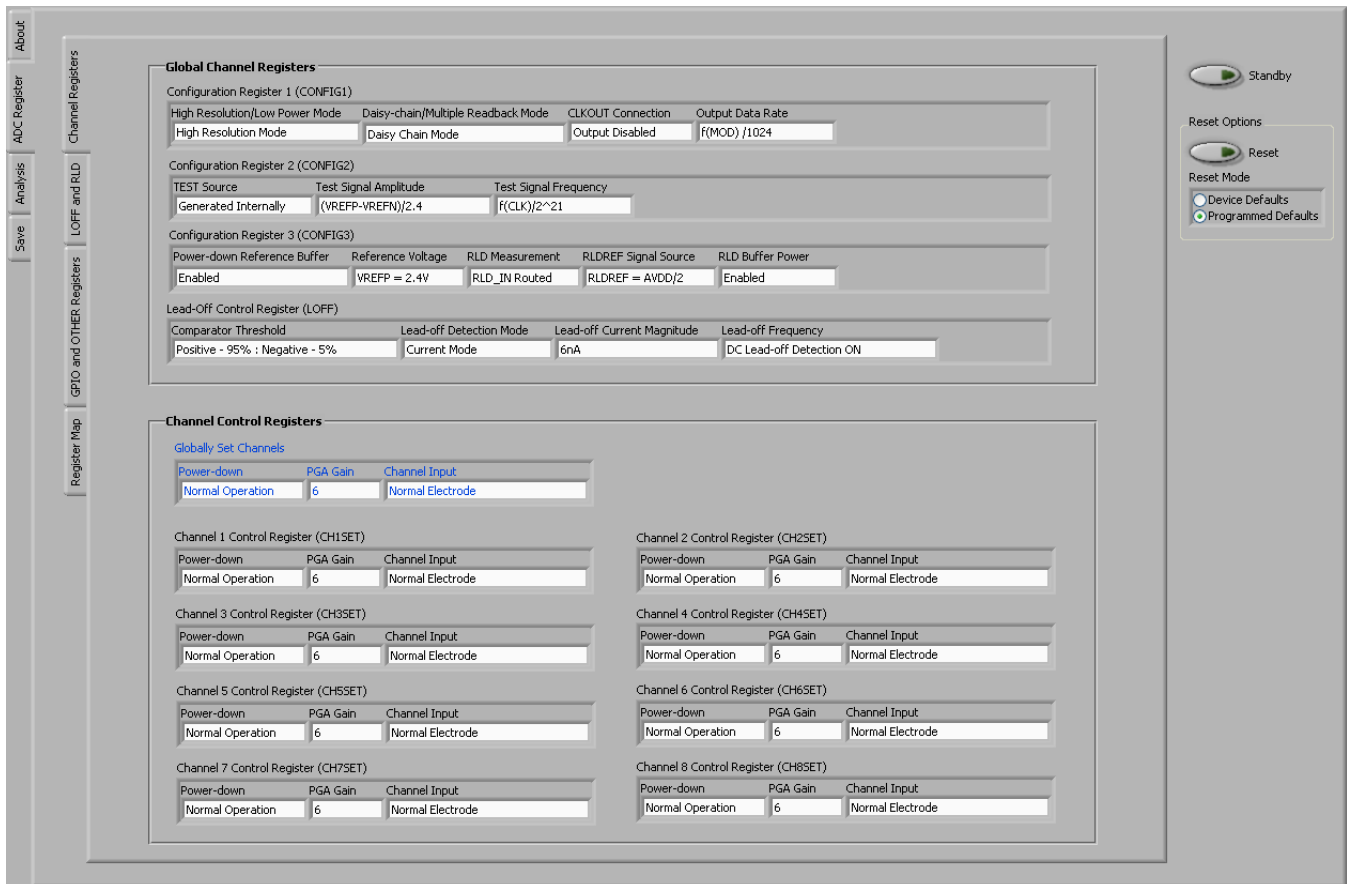


Figure 8. Channel Registers Tab

3.4.1 Standby and Reset Controls

The **Standby** control allows the user to place the ADS1298R in standby.

The **Reset** control allows the user to reset the ADS1298R. The **Reset Mode** determines which mode is executed when the **Reset** control is pressed. *Device Defaults* resets the device to the device defaults; *Programmed Defaults* resets the device, then writes the default values for using this software application.

3.4.2 Channel Registers Tab (ADC Register)

The **Channel Register** tab provides access to control registers that control different properties/settings for the ADC channels. The control register are grouped into two groups: Global Channel Registers and Channel Control Registers.

3.4.2.1 Global Channel Registers

The *Global Channel Registers* box includes Configuration Register 1 (CONFIG1), Configuration Register 2 (CONFIG2), Configuration Register 3 (CONFIG3), and Lead Off Control Register (LOFF). The upper half of [Figure 8](#) shows the section of the UI panel that allows manipulation and control of these registers.

Configuration Register 1 enables the user to control the resolution mode, enable the daisy-chain configuration options, and program the data rate.

Configuration Register 2 enables the user to select an internal square wave test source amplitude of $\pm 1\text{mV}$ or $\pm 2\text{mV}$ and a frequency of DC, 2Hz ($f_{\text{CLK}}/2^{21}$), or 4Hz ($f_{\text{CLK}}/2^{20}$).

Configuration Register 3 controls the bandgap reference (illustrated in [Figure 9](#)) and right leg drive (RLD) options. This register enables the user to select between an external or internal reference voltage, enable/disable the internal reference buffer, toggle between a 2.4V or a 4.0V output voltage, and to enable/disable the RLD as well as choose whether the RLD voltage is provided internally or externally.

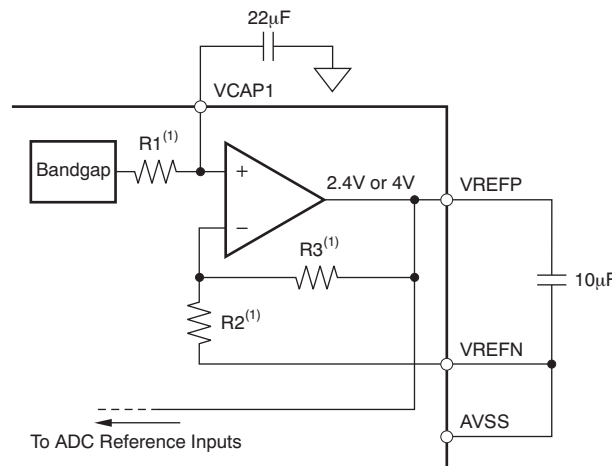


Figure 9. Internal Reference and Buffer Connections

The **Lead-Off Control Register** allows the user to configure the threshold for the lead-off comparator, resistive pull-up or current-source excitation, the lead-off current magnitude, and DC or AC detection. [Figure 10](#) illustrates a simplified diagram of the resistive pull-up and excitation options for the lead-off detect feature.

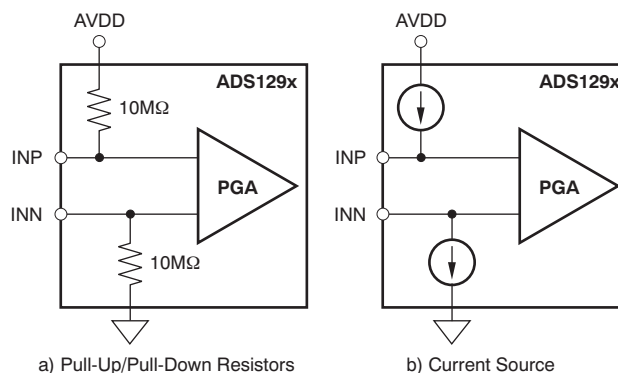


Figure 10. Lead-Off Excitation Options

3.4.2.2 Channel Control Registers

The *Channel Control Registers* box allows the user to uniquely configure the front-end MUX for each ADC channel. Additionally, at the top of the Channel Control Registers box (see Figure 8) is the option to globally set all channels to the same setting. The channel-specific MUX is illustrated in Figure 11.

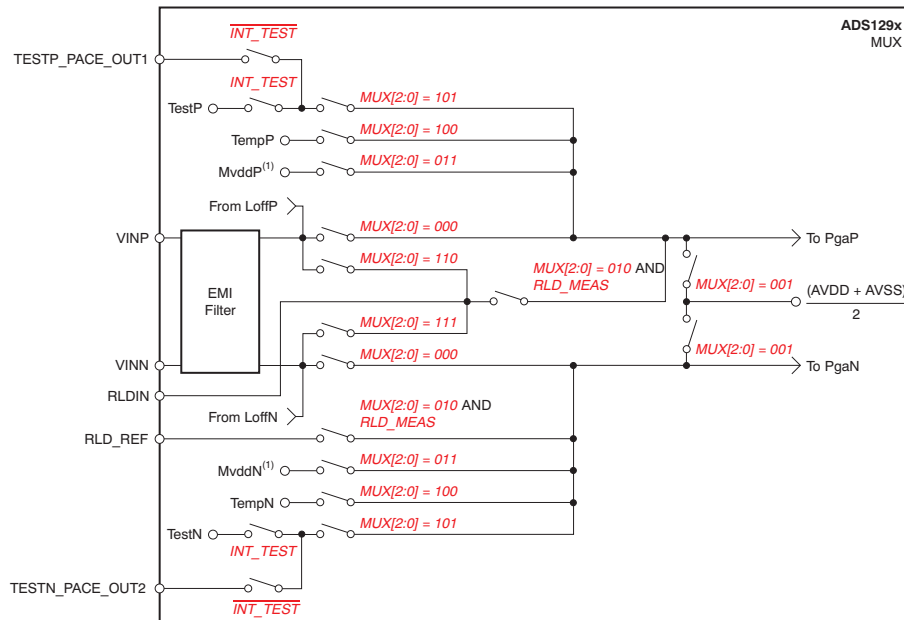


Figure 11. Input Multiplexer for a Single Channel

3.4.3 LOFF and RLD Tab (ADC Register)

The *LOFF and RLD* tab provides control over the Lead-Off Detection and Current Control Registers and the Right Leg Derivation Control Registers. The tab and controls are shown in [Figure 12](#).

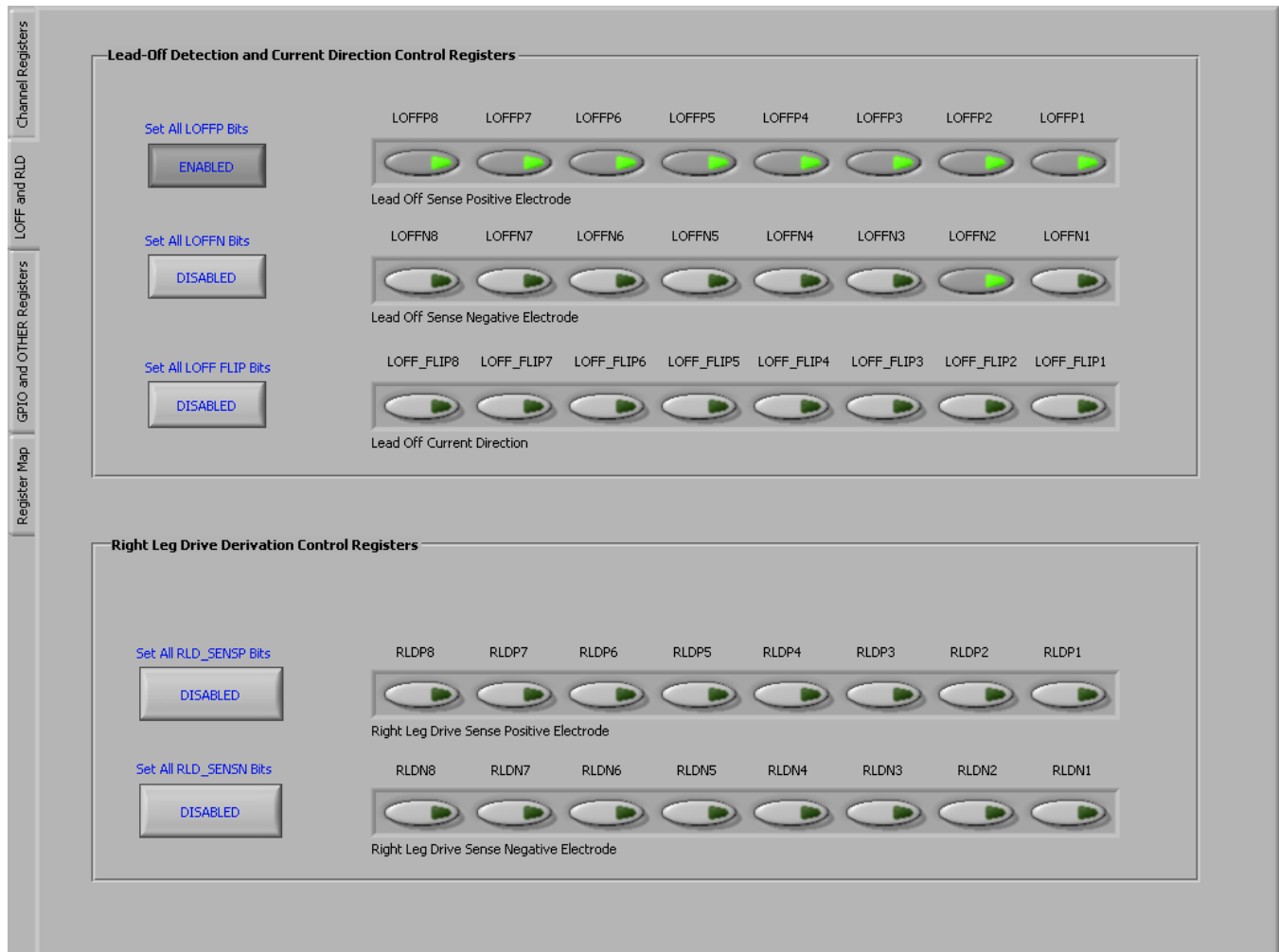


Figure 12. LOFF and RLD Tab

3.4.3.1 Lead-Off Detection and Current Direction Control Registers

The first two arrays of controls (Lead Off Sense) enable lead-off detection for both the positive and negative channels, *LOFF_SENSP* and *LOFF_SENSN*. By pressing the buttons, lead-off detection is enabled for each channel individually and for each input (positive and negative). **Set All LOFFP Bits** and **Set All LOFFN Bits** allow the user to turn on or off all the enable bits at once instead of clicking each individual channel control.

The third array of controls (Lead Off Current Direction) determines the current direction used for lead-off detection when an excitation signal is selected as a pull-up/pull-down resistor. Each channel is controlled individually by selecting the button that corresponds to the desired channel to manipulate. When the button is not illuminated, *LOFF_FLIP* = 0 (INP is pulled-up to AVDD and INN is pulled-down to ground). When the button is pressed/illuminated, *LOFF_FLIP* = 1 (INP is pulled-down to ground and INN is pulled-up to AVDD). Further details of these registers and lead-off function are located in the Applications Section of the device data sheet.

Figure 10 describes the mode for Lead-Off Detection (that is, resistive or current source) and the 4-bit DAC settings to configure the lead-off threshold. Figure 13 illustrates the connections from the positive and negative inputs to the lead-off comparators. The output of the comparators is viewed by using **Show/Poll Lead Off Status** control as described in Section 3.2

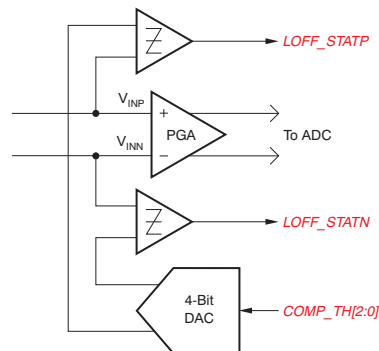


Figure 13. LOFF_STATP and LOFF_STATN Comparators

3.4.3.2 Right Leg Drive Derivation Control Registers

The Right Leg Drive Derivation Control Registers enable the user to set any combination of positive and/or negative electrodes to derive the RLD voltage that is fed to the internal right leg drive amplifier.

3.4.4 GPIO and OTHER Registers Tab (ADC Register)

The **GPIO and Other Registers** tab, located under the **Analysis** tab, includes controls for GPIO1 through GPIO4, respiration phase and frequency, routing of the Wilson amplifiers, and derivation of the Goldberger terminals. [Figure 14](#) shows the **GPIO and OTHER Registers** tab and all controls contained on the tab.

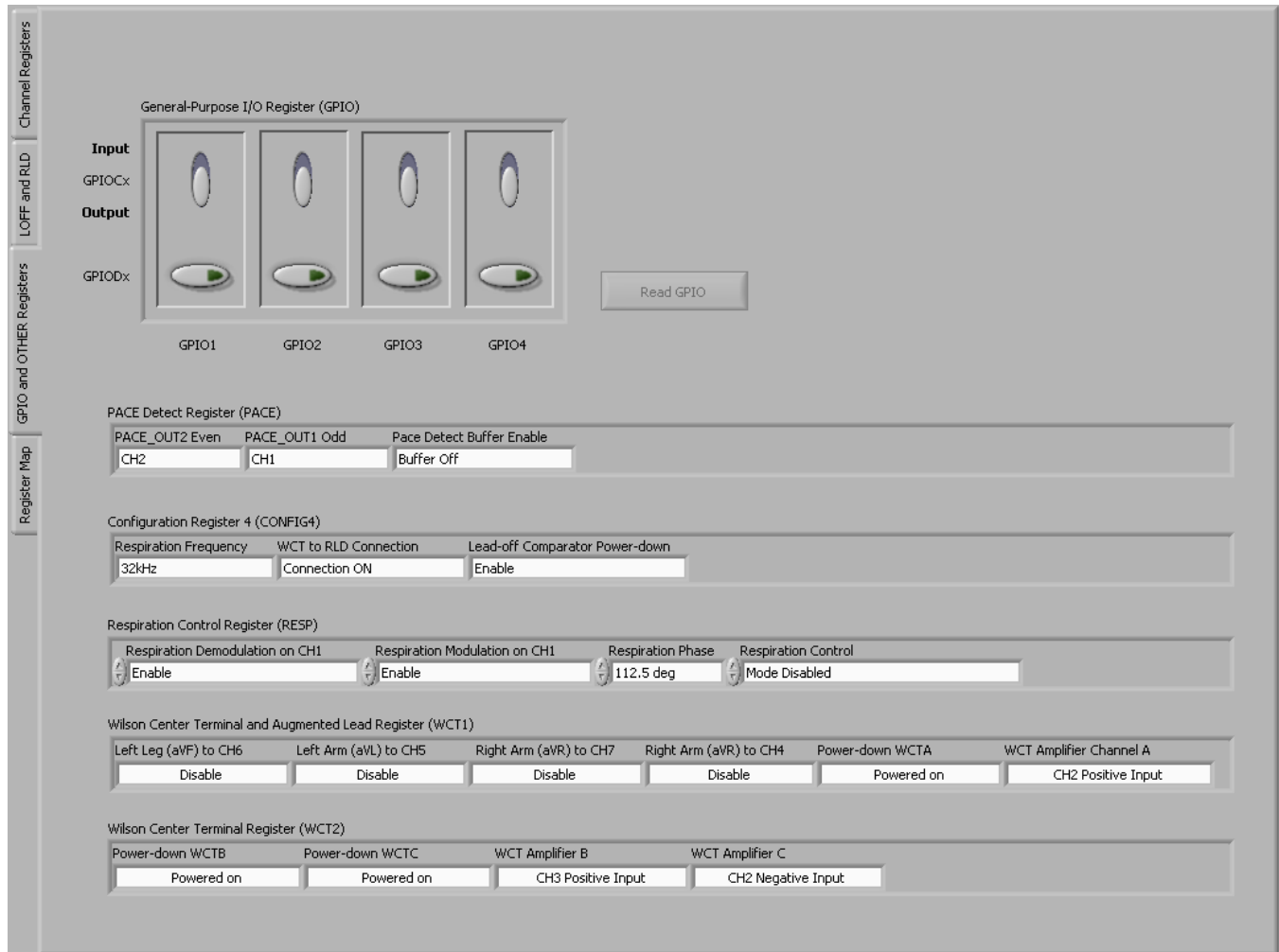


Figure 14. GPIO and OTHER Register Tab

The **General-Purpose I/O Register (GPIO)** controls the four general-purpose I/O pins. Each GPIO can be set as an input or an output via **GPIOCx** controls. If the output is selected, the **GPIODx** control is enabled allowing the user to set the value to output. If the GPIO is selected as an input, the **GPIODx** control is disabled and shows the value of the GPIO. If any of the GPIOs are selected as inputs, the **Read GPIO** control is enabled which allows the **GPIODx** values to be updated to the current GPIO value.

The **PACE Detect Register** does not enable a special PACE measurement mode. The register allows for enabling and configuration of the PACE amplifiers. PACE Amplifier 1 can connect to input channels 1-4 and Pace Amplifier 2 can connect to input channels 5-8.

The **Configuration 4 Register** allows control over the Respiration Frequency, WCT connection to the RLD and lead-off comparator enable status.

The **Respiration Control Register** allows the user to configure the respiration modulation and demodulation on Channel 1, Respiration Phase, and set the Respiration Control Signal.

3.4.4.1 Wilson Central and Augmented Lead Registers

The Wilson Central Voltage (an average voltage between the right arm [RA], left arm [LA], and left leg [LL] connections) can be derived from any combination of positive and negative terminals from channels 1-4 and routed to the WCT pin. Likewise, the Augmented Leads (AVF, AVL, AVR) may be derived from channels 1-4 and routed to the negative terminal of channels 5, 6, and 7. Figure 15 shows these configurations; Figure 15a illustrates the central lead routing, and Figure 15b shows the augmented lead routing.

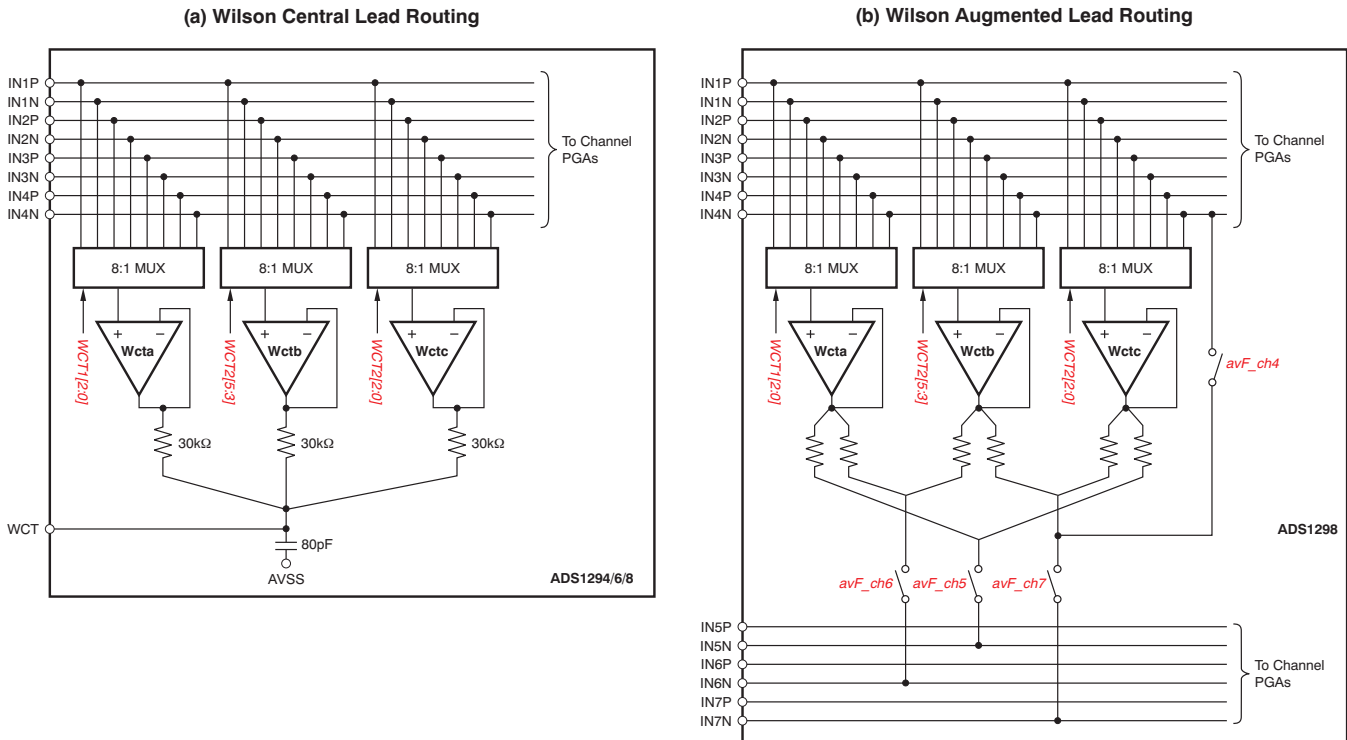


Figure 15. Wilson Central and Augmented Lead Routing Diagrams

3.4.5 Register Map (ADC Register)

The *Register Map* tab is a helpful debug feature that allows the user to view the state of all the internal registers. This tab is illustrated in [Figure 16](#). **Refresh Registers** control updates the register map values with the current register settings of the ADS1298R.

Device Registers										
Register	Address	Value	D7	D6	D5	D4	D3	D2	D1	D0
ID	0x00	0x52	0	1	0	1	0	0	1	0
CONFIG1	0x01	0x86	1	0	0	0	0	1	1	0
CONFIG2	0x02	0x10	0	0	0	1	0	0	0	0
CONFIG3	0x03	0xDC	1	1	0	1	1	1	0	0
LOFF	0x04	0x03	0	0	0	0	0	0	1	1
CH1SET	0x05	0x01	0	0	0	0	0	0	0	1
CH2SET	0x06	0x01	0	0	0	0	0	0	0	1
CH3SET	0x07	0x01	0	0	0	0	0	0	0	1
CH4SET	0x08	0x01	0	0	0	0	0	0	0	1
CH5SET	0x09	0x01	0	0	0	0	0	0	0	1
CH6SET	0x0A	0x01	0	0	0	0	0	0	0	1
CH7SET	0x0B	0x01	0	0	0	0	0	0	0	1
CH8SET	0x0C	0x01	0	0	0	0	0	0	0	1
RLD_SENSP	0x0D	0x00	0	0	0	0	0	0	0	0
RLD_SENSN	0x0E	0x00	0	0	0	0	0	0	0	0
LOFF_SENSP	0x0F	0xFF	1	1	1	1	1	1	1	1
LOFF_SENSN	0x10	0x02	0	0	0	0	0	0	1	0
LOFF_FLIP	0x11	0x00	0	0	0	0	0	0	0	0
LOFF_STATP	0x12	0xFF	1	1	1	1	1	1	1	1
LOFF_STATN	0x13	0x06	0	0	0	0	0	1	1	0
GPIO	0x14	0x00	0	0	0	0	0	0	0	0
PACE	0x15	0x00	0	0	0	0	0	0	0	0
RESP	0x16	0x00	0	0	0	0	0	0	0	0
CONFIG4	0x17	0x02	0	0	0	0	0	0	1	0
WCT1	0x18	0x0A	0	0	0	0	1	0	1	0
WCT2	0x19	0xE3	1	1	1	0	0	0	1	1

(automatically updates if coming from another page)

Figure 16. Device Registers Settings

3.5 Analysis Tab

The **Analysis** tab provides access to the different analysis options that are available using the software. The different analyses are grouped by sub-tabs:

- Scope tab (Section 3.5.1)
- Histogram tab (Section 3.5.2)
- RESP tab (Section 3.5.4)
- FFT tab (Section 3.5.3)
- ECG tab (Section 3.5.5)

3.5.1 Scope Tab (Analysis)

The Scope tool is useful for examining the exact amplitude of the measured input signals from each channel. Additionally, users can determine the noise contribution from each channel at a given resolution, and review the sampling rate, the PGA gain, and the input signal amplitude. Figure 17 illustrates the Scope tool features.

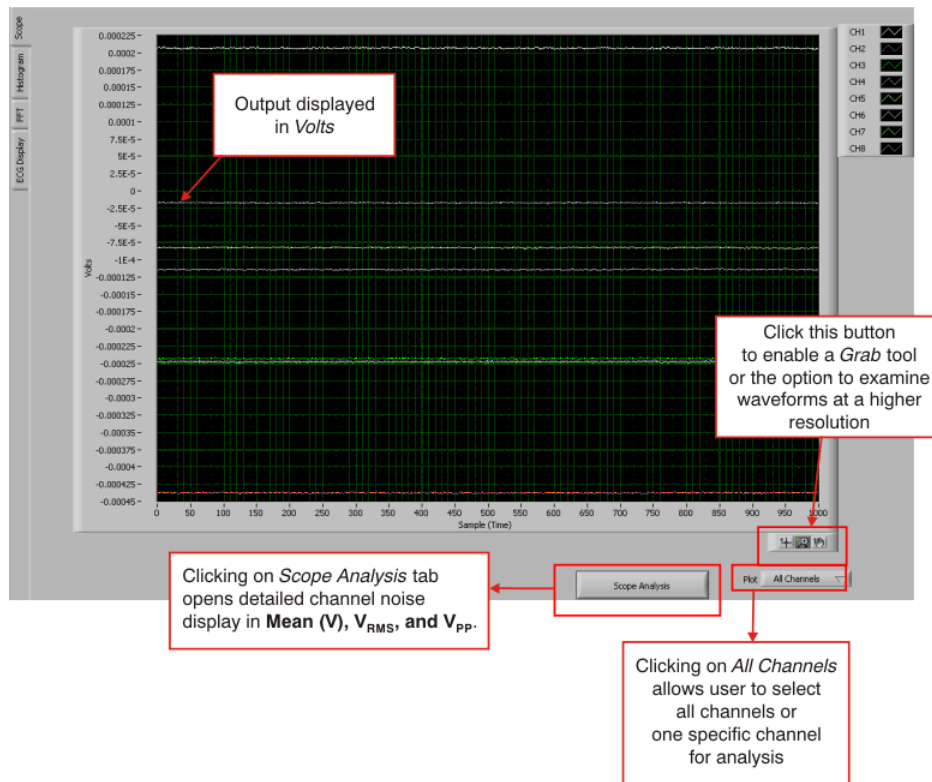


Figure 17. Scope Tool Features

In the *Scope Analysis* window, as Figure 18 illustrates, the different noise levels are displayed when the MUX is selected as *Input Short*, PGA gain is set to 6 (default), and the sample rate is set to 500 samples per second (SPS).

	Channel 1	Channel 2	Channel 3	Channel 4	Channel 5	Channel 6	Channel 7	Channel 8
Mean (V)	-92.05E-6	139.17E-6	-341.48E-6	44.15E-6	13.13E-6	-92.33E-6	-90.01E-6	-3.58E-6
Vrms	92.05E-6	139.17E-6	341.48E-6	44.15E-6	13.14E-6	92.34E-6	90.01E-6	3.63E-6
Vpp	3.81E-6	3.43E-6	3.48E-6	3.72E-6	3.91E-6	3.39E-6	4.10E-6	3.34E-6

Figure 18. Scope Analysis Tab (Noise Levels for Each Channel Shown)

3.5.1.1 Zoom Tool

The zoom tool allows the user to zoom in either on all channels simultaneously or on a single channel. [Figure 19](#) shows an example of the waveform examination tool with the magnifying glass zoomed in on Channel 2. In this case, the tool makes it much easier to determine that the noise seen on the ECG waveform is a result of 50Hz/60Hz line cycle noise.

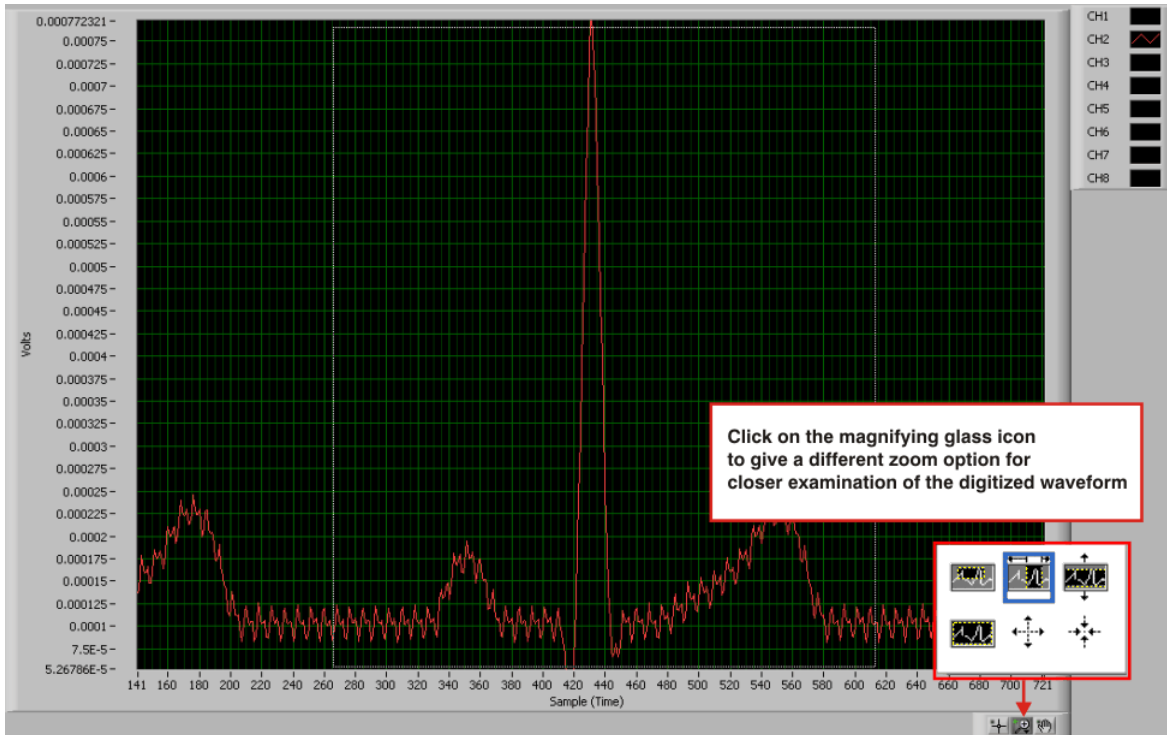


Figure 19. Zoom Tool Options

3.5.2 Histogram Tab (Analysis)

The Histogram tool is used primarily to see the bin separation of the different amplitudes of the ECG waveform harmonics. Figure 20 illustrates the histogram output for a 12-lead signal. The same ECG Signal Zoom analysis may be used on the histogram plots for a more detailed examination of the amplitude bins.

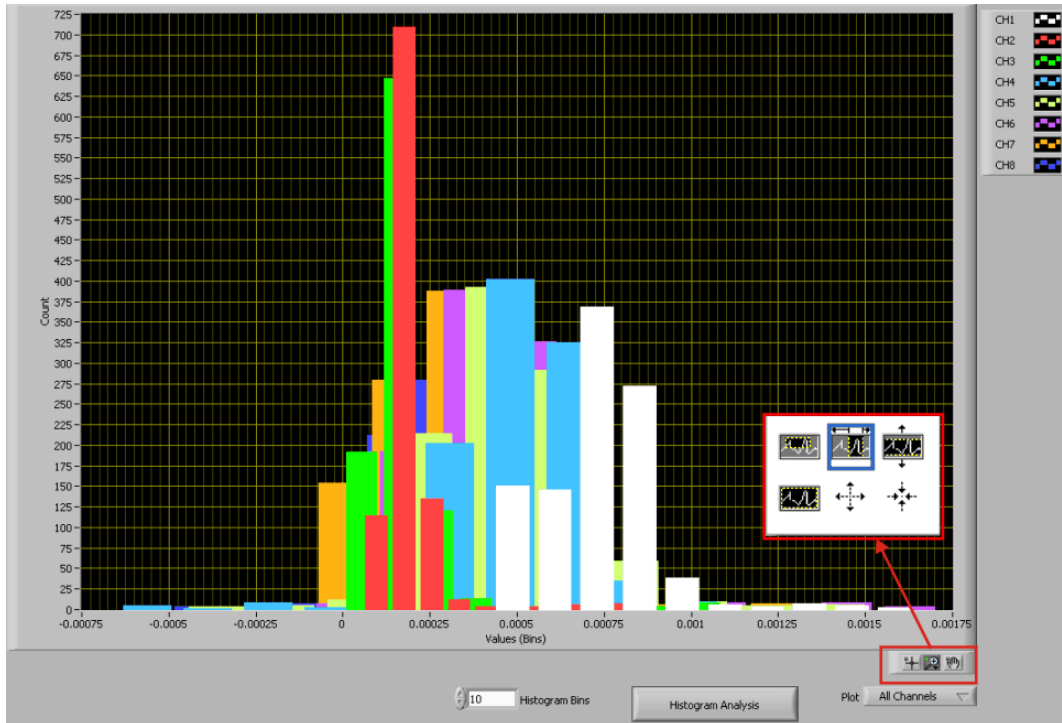


Figure 20. Histogram Bins for 12-Lead ECG Signal

Figure 21 shows the *Histogram Analysis* window that is displayed when the **Histogram Analysis** button (at the bottom of the screen in Figure 20) is clicked. The analysis window shows the mean, V_{RMS} , and V_{PP} channel amplitude bins.

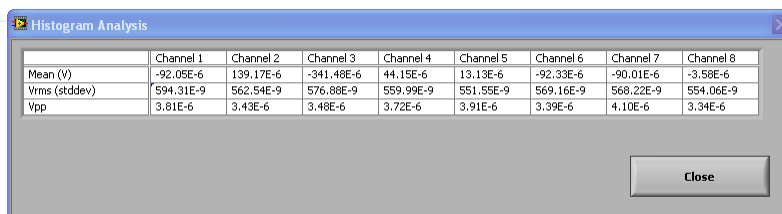


Figure 21. Statistics for the Signal Amplitude of Eight ECG Channels

3.5.3 FFT Tab

The FFT tool allows the user to examine the channel-specific spectrum as well as typical figures of merit such as SNR, THD, ENOB, and CMRR. Each feature is numbered below and described in detail in the following subsections. [Figure 22](#) illustrates an FFT plot for a normal electrode configuration.

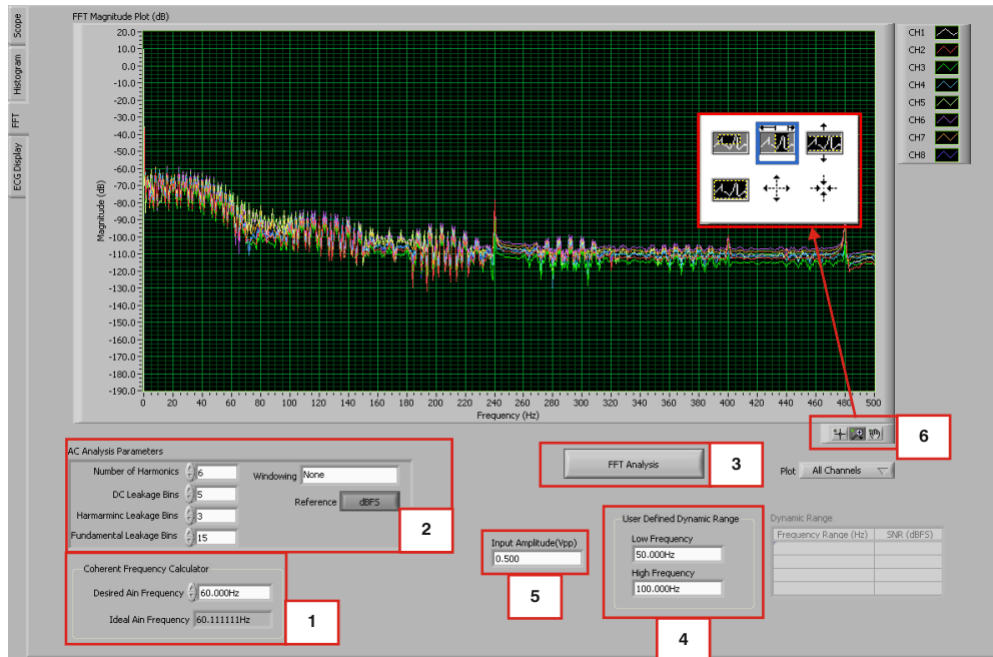


Figure 22. FFT Graph of Normal Electrode Configuration

1 - Coherent Frequency Calculator

Coherent sampling in an FFT is defined as $F_{AIN}/F_{SAMPLE} = N_{WINDOW}/N_{TOTAL}$, where:

- F_{AIN} is the input frequency
- F_{SAMPLE} is the sampling frequency of the ADS1298R
- N_{WINDOW} is the number of odd integer cycles during a given sampling period
- N_{TOTAL} is the number of data points (in powers of 2) that is used to create the FFT

If the conditions for coherent sampling can be met, the FFT results for a periodic signal will be optimized. The *Ideal A_{IN} Frequency* is a value that is calculated based on the sampling rate, such that the coherent sampling criteria can be met.

2 - AC Analysis Parameters

This section of the tool allows the user to dictate the number of harmonics, DC leakage bins, harmonic leakage bins, and fundamental leakage bins that are used in the creation of various histograms. Pressing the *Windowing* button, illustrated in [Figure 23](#), allows the user to evaluate the FFT graph under a variety of different windows. Note that pressing the **Reference** button toggles between dBFS (decibels, full-scale) and dBc (decibels to carrier).

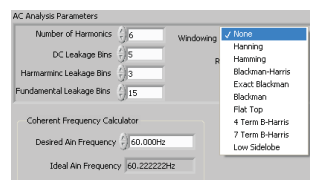
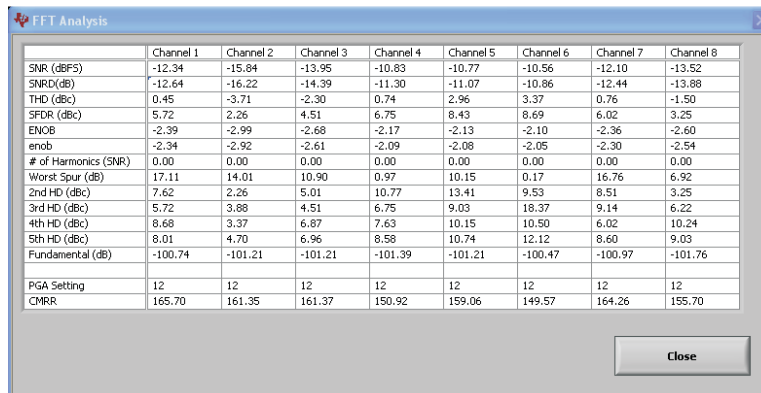


Figure 23. AC Analysis Parameters: Windowing Options

3 - FFT Analysis

Pressing the **FFT Analysis** button pulls up the *FFT Analysis* window shown in [Figure 24](#). This window provides calculated parameters obtained from the collected data that may be useful during evaluation. One of the values included in this analysis is the channel-to-channel noise.

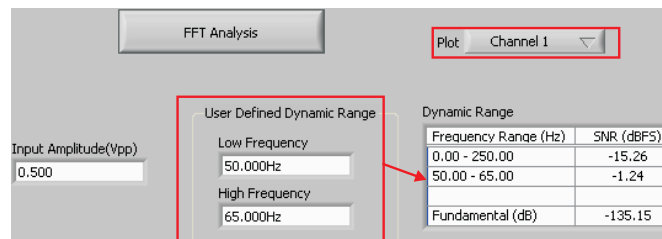


	Channel 1	Channel 2	Channel 3	Channel 4	Channel 5	Channel 6	Channel 7	Channel 8
SNR (dBFS)	-12.34	-15.84	-13.95	-10.83	-10.77	-10.56	-12.10	-13.52
SNRD(dB)	-12.64	-16.22	-14.39	-11.30	-11.07	-10.86	-12.44	-13.88
THD (dBc)	0.45	-3.71	-2.30	0.74	2.96	3.37	0.76	-1.50
SFDR (dBc)	5.72	2.26	4.51	6.75	8.43	8.69	6.02	3.25
ENOB	-2.39	-2.99	-2.68	-2.17	-2.13	-2.10	-2.36	-2.60
enob	-2.34	-2.92	-2.61	-2.09	-2.08	-2.05	-2.30	-2.54
# of Harmonics (SNR)	0.00	0.00	0.00	0.00	0.00	0.00	0.00	0.00
Worst Spur (dB)	17.11	14.01	10.90	0.97	10.15	0.17	16.76	6.92
2nd HD (dBc)	7.62	2.26	5.01	10.77	13.41	9.53	8.51	3.25
3rd HD (dBc)	5.72	3.88	4.51	6.75	9.03	18.37	9.14	6.22
4th HD (dBc)	8.68	3.37	6.87	7.63	10.15	10.50	6.02	10.24
5th HD (dBc)	8.01	4.70	6.96	8.58	10.74	12.12	8.60	9.03
Fundamental (dB)	-100.74	-101.21	-101.21	-101.39	-101.21	-100.47	-100.97	-101.76
PGA Setting	12	12	12	12	12	12	12	12
CMRR	165.70	161.35	161.37	150.92	159.06	149.57	164.26	155.70

Figure 24. FFT Analysis: Input Short Condition

4 - User-Defined Dynamic Range

This section enables the user to examine the SNR of a specific channel within a given frequency band defined by *Low Frequency* and *High Frequency*. The SNR displayed in this window shows under the *Dynamic Range* heading as [Figure 25](#) illustrates.



The screenshot shows the 'User Defined Dynamic Range' section with the following settings:

- Input Amplitude(Vpp): 0.500
- Low Frequency: 50.000Hz
- High Frequency: 65.000Hz

The 'Dynamic Range' table is also visible:

Frequency Range (Hz)	SNR (dBFS)
0.00 - 250.00	-15.26
50.00 - 65.00	-1.24
Fundamental (dB)	-135.15

Figure 25. Changing the User-Defined Dynamic Range for Channel 1

5 - Input Amplitude

This field is a user input that is important for accurately calculating the CMRR of each channel.

6 - Zoom Tool

As with the Analysis, Histogram, and Scope tool, this zoom function allows a closer examination of the FFT at frequencies of interest, as shown in [Figure 26](#).

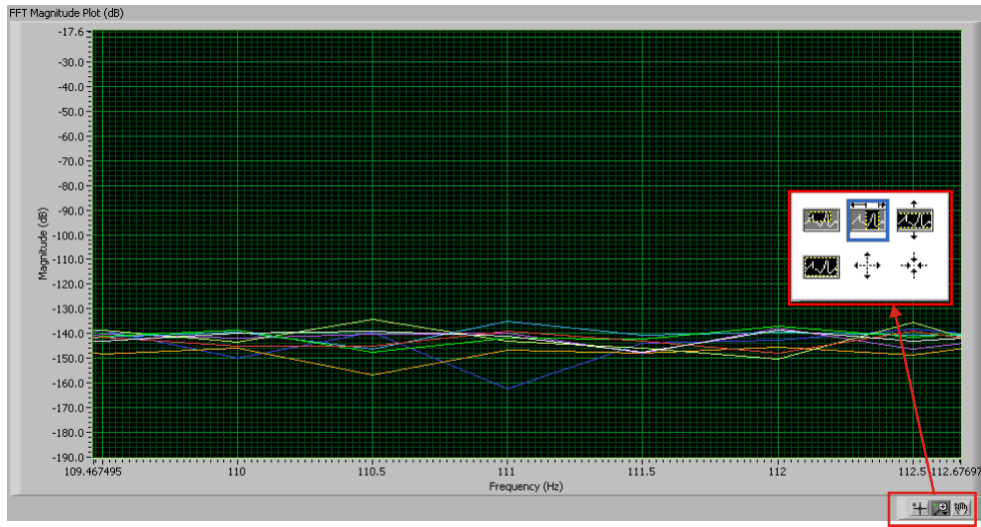
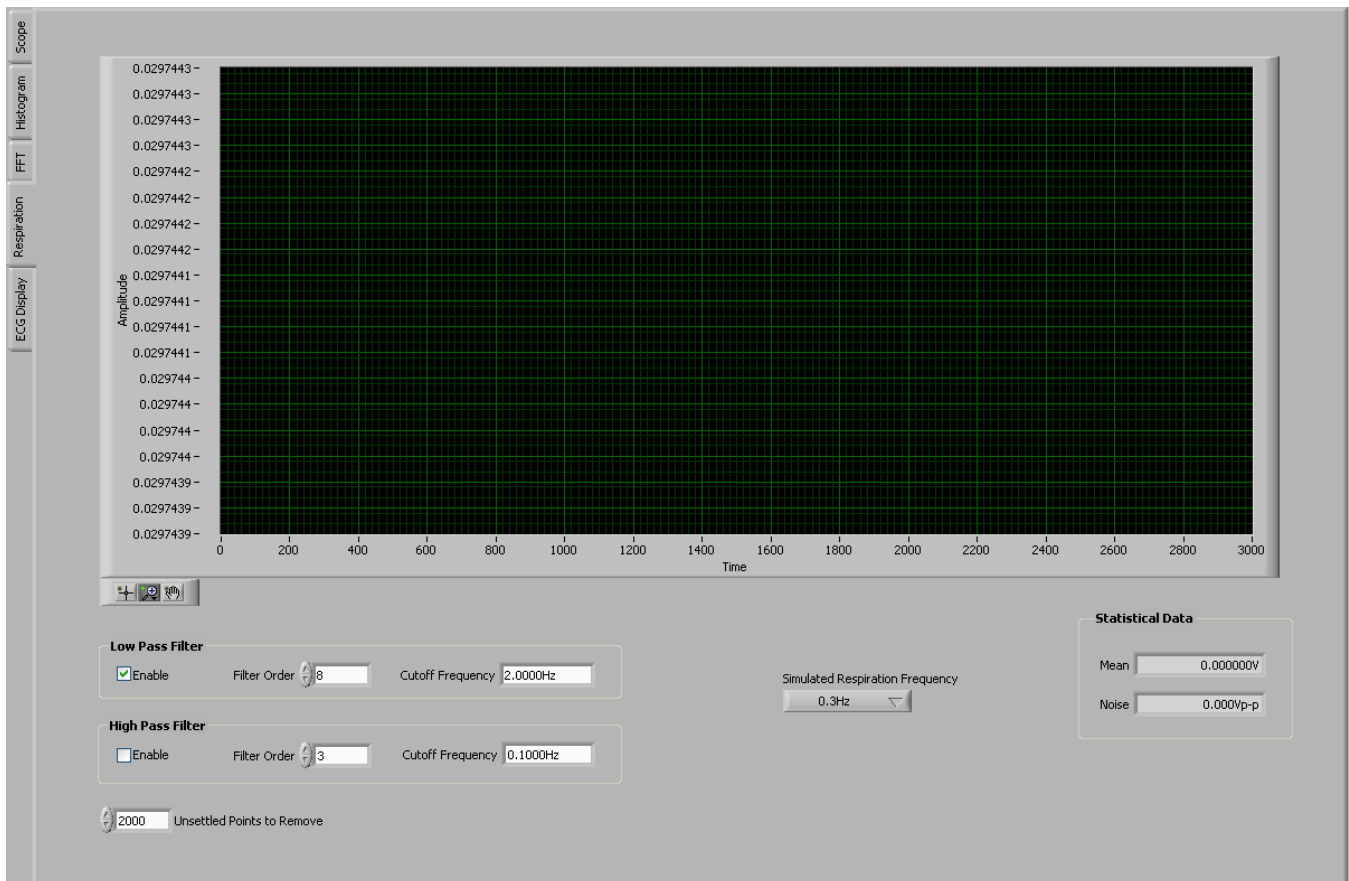


Figure 26. FFT Plot Using Zoom Tool

3.5.4 RESP Tab

The Resp tool allows the user to make use of the on-board respiration circuitry to show a simulated respiration signal. [Respiration Tab](#) shows the RESP tab tool features.



Respiration Tab

The bottom left portion of the screen provides controls that may be utilized to add filtering to the displayed respiration signal. NOTE: The filtering performed using this analysis tool is performed in the UI software and is not available in the ADS1298R device. The **Low Pass Filter** group of controls implement a low-pass digital filter on the collected data. The filter is enabled using the **Enable** control, and **Filter Order** and **Cutoff Frequency** allow for the customization of the filter. The **High Pass Filter** group of controls implement a digital high-pass filter on the collected data. The high-pass controls function the same as the low-pass controls except that they apply to the high-pass filter. The **Unsettled Points to Remove** control allows the user to remove a specific number of points from the beginning of the filtered data set. This allows the user to remove the data the isn't filtered and look only at the filtered data.

The **Simulated Respiration Frequency** set the respiration frequency that the on-board respiration circuitry will simulate when collecting data.

The **Statistical Data** group provides two calculated parameters from the displayed data, **Mean** and **Noise**.

3.5.5 ECG Tab (Analysis)

This tool allows the user to examine the input signal according to the different lead configurations. For a detailed description of the lead configurations, see [Table 2](#) in [Section 4.6](#). [Figure 27](#) shows Leads I-III and the Augmented Lead outputs with the input MUX configured in *Normal Electrode* mode. [Figure 27](#) also shows numerical annotations 1 to 4, which highlight the different features of this tool. These features are described in detail in the following subsections.

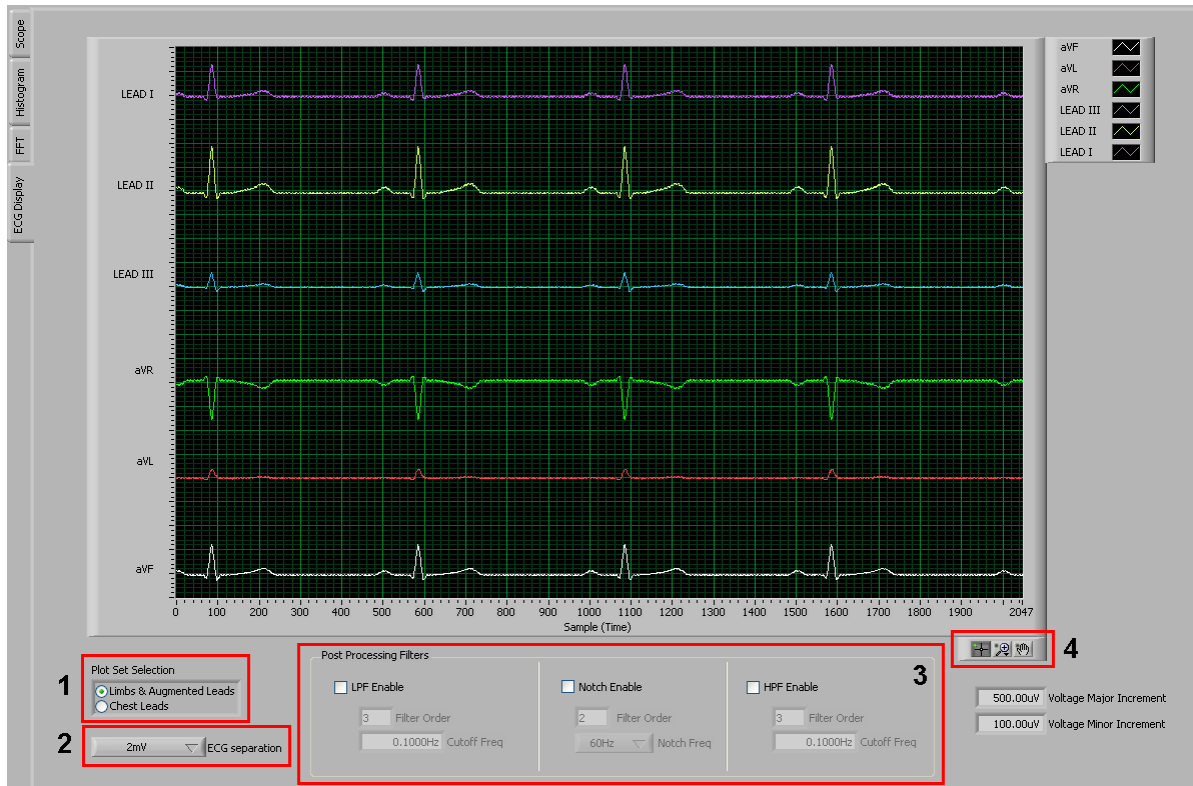


Figure 27. ECG Display Tab Showing LEAD I-III and Augmented Leads

1 - Plot Set Selection Feature

The **Plot Set Selection** control allows the user to change the visual selection between:

- *Limbs and Augmented Leads* displays LEAD I, LEAD II, LEAD III, aVR, aVL, and AVF signals,
- *Chest Leads* displays V1 - V6 signals.

NOTE: For display that shows 6 leads combined, the ECG signals have any DC offset removed and a different offset added to the signal to display the signals as shown. To see the raw ECG data, you can select the individual signals as described below in the Zoom feature (box 4).

2 - ECG Separation Feature

The **ECG separation** control toggles the vertical distance between the input plots. This capability is useful when ECG signals are large and require more separation to avoid overlap, or to collapse the range between signals when the ECG signals are small.

3 - Post Processing Filters Feature

The **Post Processing Filters Features** controls provides a low-pass, a 50Hz/60Hz notch, and a high-pass digital filters for post-processing the data from the ADS1298R. To activate each filter, the **Enable** checkbox should be checked. To disable the filter, the **Enable** checkbox should be unchecked. Any combination of the three digital filters can be used by enabling the respective filter.

The low-pass filter controls a digital low-pass filter, whose order and cutoff frequency are controlled using the **Filter Order** and **Cutoff Freq** controls in the low-pass filter part of the Post Processing Filters group (left side of the box).

The notch filter provides a 50Hz/60Hz notch filter, whose order and 50Hz/60Hz notch selection are controlled using the **Filter Order** and **Notch Freq** controls in the low-pass filter part of the Post Processing Filters group (center of the box).

The high-pass filter controls a digital high-pass filter, whose order and cutoff frequency are controlled using the **Filter Order** and **Cutoff Freq** controls in the high-pass filter part of the Post Processing Filters group (right side of the box).

NOTE: The digital filters are not part of the ADS1298R. These are digital filters implemented in the UI to aid in the evaluation of the ADS1298RECG-FE.

4 - Zoom Feature

The zoom feature is available to allow the user to navigate and view all signals at the same time, as shown in [Figure 28](#). This tool allows the user to zoom in/out on the horizontal or vertical axis and pan left or right while viewing all ECG signals simultaneously.

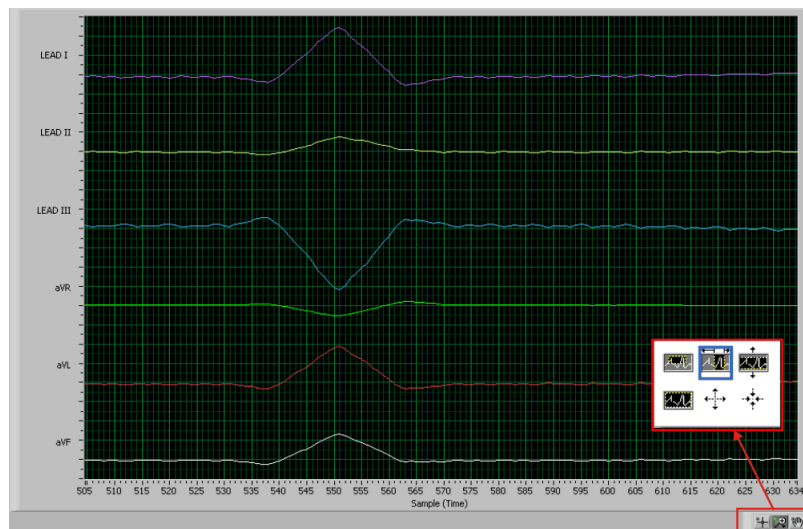


Figure 28. ECG Signal Zoom Feature for Six Leads

Additionally, each ECG signal can be zoomed individually by moving the mouse (which appears as a plus icon) over the lead of interest and clicking on it. A new window opens showing the raw ECG data as read from the ADS1298R. This window provides controls in the lower right corner to zoom in/out or pan right/left to provide a more detailed inspection of the individual ECG signal.

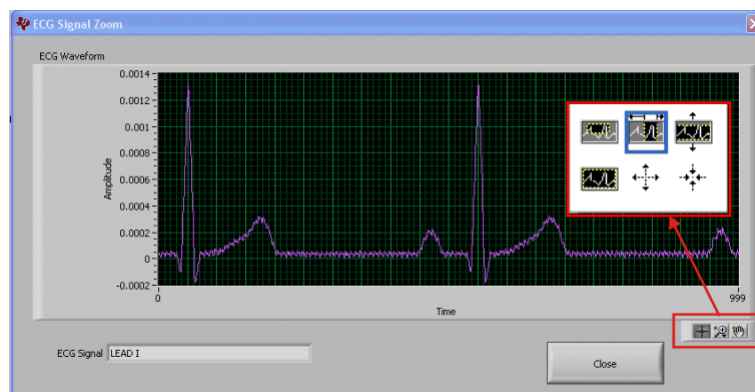


Figure 29. ECG Signal Zoom Feature for Lead 1

3.6 Save Tab

The **Save** tab provides the user the ability to save the collected data for a record of the evaluation or further analysis. Reference the previous sections for the list of the analysis data available for each analysis.

The *Analysis to Save* group allows the user to save the different analysis calculations that were performed on the data.

- **Scope Analysis** saves the scope analysis data available from the scope analysis pop-up window
- **FFT Analysis** saves the FFT analysis data available from the FFT analysis pop-up window.
- **Histogram Analysis** saves the histogram analysis data available from the histogram analysis pop-up window.
- **Register Settings** saves the current settings from the register map and can be useful to obtain the register values for your specific device configuration. Saving the register map in this format is not be confused with saving your register settings for reloading into the software at another time (see [Section 3.1](#)).

Each item will be saved if the corresponding checkbox is checked.

The *Data to Save* group allows the user to save the various data sets collected from the ADS1298R. The **CH x** controls allow the user to specify which channels will be saved for each of the data selections made.

- **Data - Codes** selects the raw data (in codes format) to be saved to a file.
- **Data - Volts** selects the raw data (converted to voltage) to be saved to a file.
- **FFT Data** selects the calculated FFT data to be saved to a file. Note: This is not raw data; it is the frequency bin and magnitude data that was calculated by the UI.
- **Histogram Data** selected the calculated Histogram data to be saved to a file. Note: This is not raw data; it is the code bin and number of occurrences data that was calculated by the UI.

The *User Comments/Notes* group allows the user to indicate a **Record Number** and **User Comments** that are saved with each file. This data permits the user to distinguish different data sets from one another.

The **Directory to Save Files** is the directory where all the saved files will be placed. The user can select a directory by pressing the folder button (located to the right of the control). Each data file that is saved is automatically named to prevent overwriting of files.

The **Save To File** button saves all the data files that were selected using the check boxes to the selected directory.

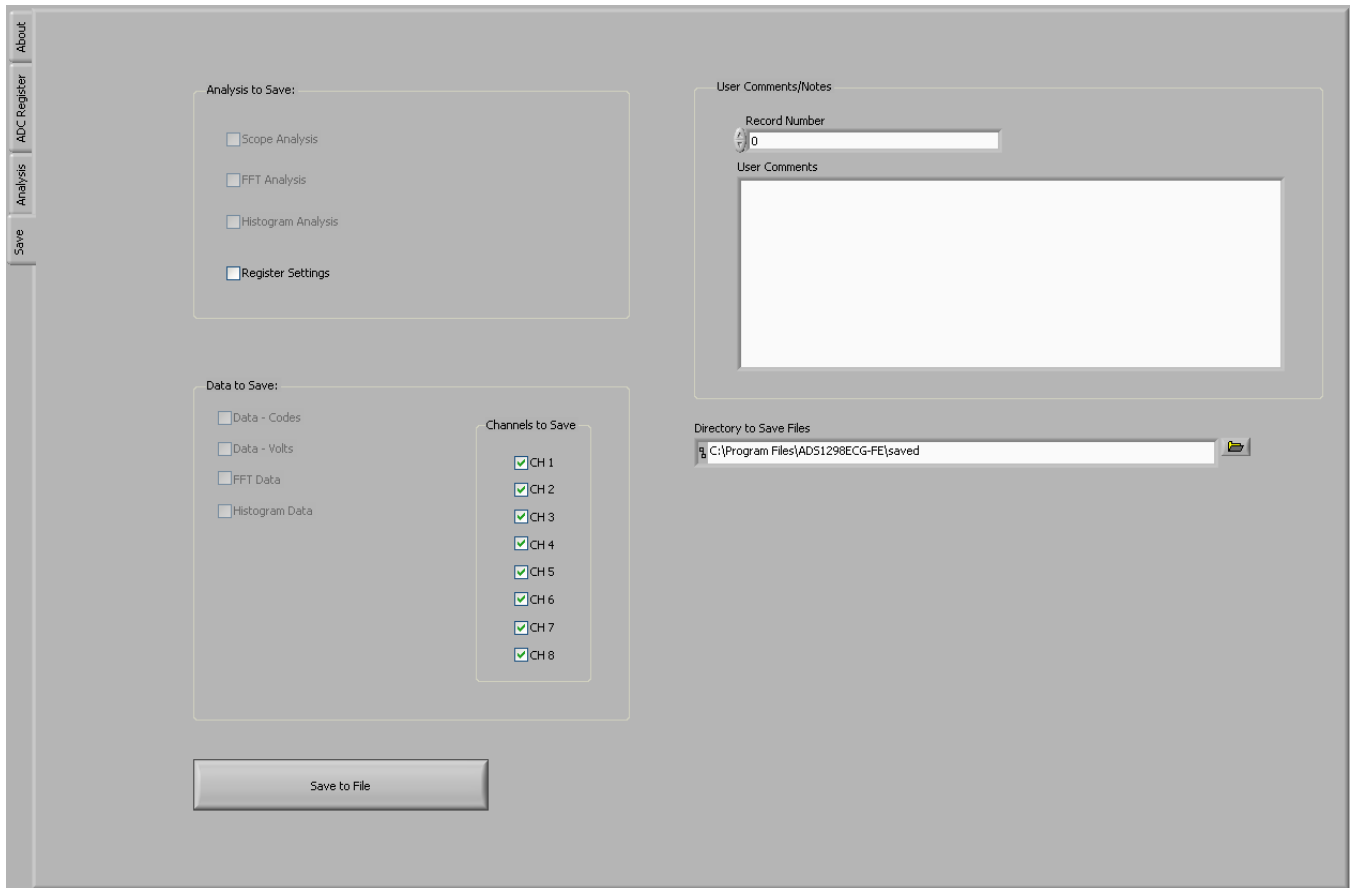


Figure 30. Save Tab

4 ADS1298RECG-FE Input Signals

NOTE: Before evaluating specific ECG functions, it is recommended that the user acquire data with inputs shorted internally. This configuration ensures that the board is operating properly.

4.1 Input Short Testing

By default, the EVM powers up with the individual channels to an internal short with a data rate of 500SPS and a PGA gain of 6. Once the **Acquire** button is pressed, the Scope Analysis should reflect input-referred V_{PP} values less than $5\mu V_{PP}$.

4.2 Internal Test Signals Input

Configuration Register 2 controls the signal amplitude and frequency of an internally-generated square wave test signal. The primary purpose of this test signal is to verify the functionality of the front-end MUX, the PGA, and the ADC. The test signals may be viewed on the *ECG Display* tab, as [Figure 31](#) shows. Detailed instructions for using the *ECG Display* tab are provided in [Section 3.5.5](#).

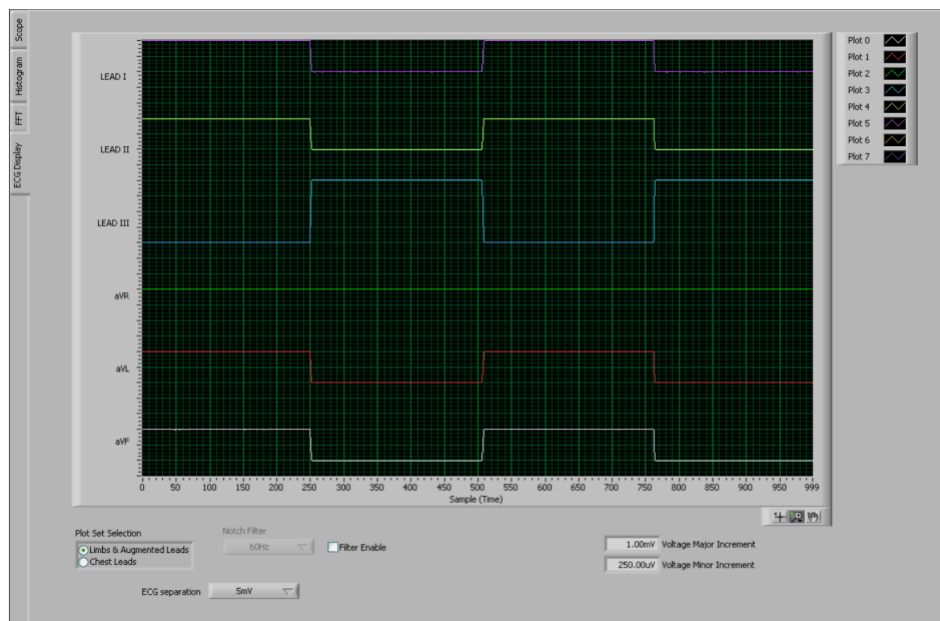


Figure 31. Example of Internal Test Signals Viewed on the ECG Display Tab

4.3 Temperature Sensor

The internal temperature sensor on the ADS1298R is shown in Figure 32. When the internal MUX is routed to the temperature sensor input, the ADC internal temperature is calculated from the ADC output voltage using Equation 1.

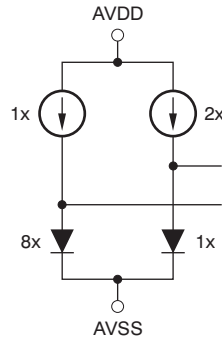


Figure 32. Internal Temperature Sensor

$$\text{Temperature } (^{\circ}\text{C}) = \left[\frac{\text{Temperature Reading } (\mu\text{V}) - 145,300\mu\text{V}}{490\mu\text{V}/^{\circ}\text{C}} \right] + 25^{\circ}\text{C} \tag{1}$$

The ADC can be configured to give a temperature reading by selecting the *Temperature Sensor* option on the Channel Control Registers GUI (see Section 3.4.2.2) and verified using the *Scope* tab as shown in Figure 33. The number **0.1447V** (on the y-axis) can be calculated as a temperature using Equation 1:

$$\text{Temperature} = (0.1447 - 0.145300) / 0.00049 + 25 = 23.78^{\circ}\text{C}$$

A more detailed description of the Scope tab is provided in Section 3.5.1.

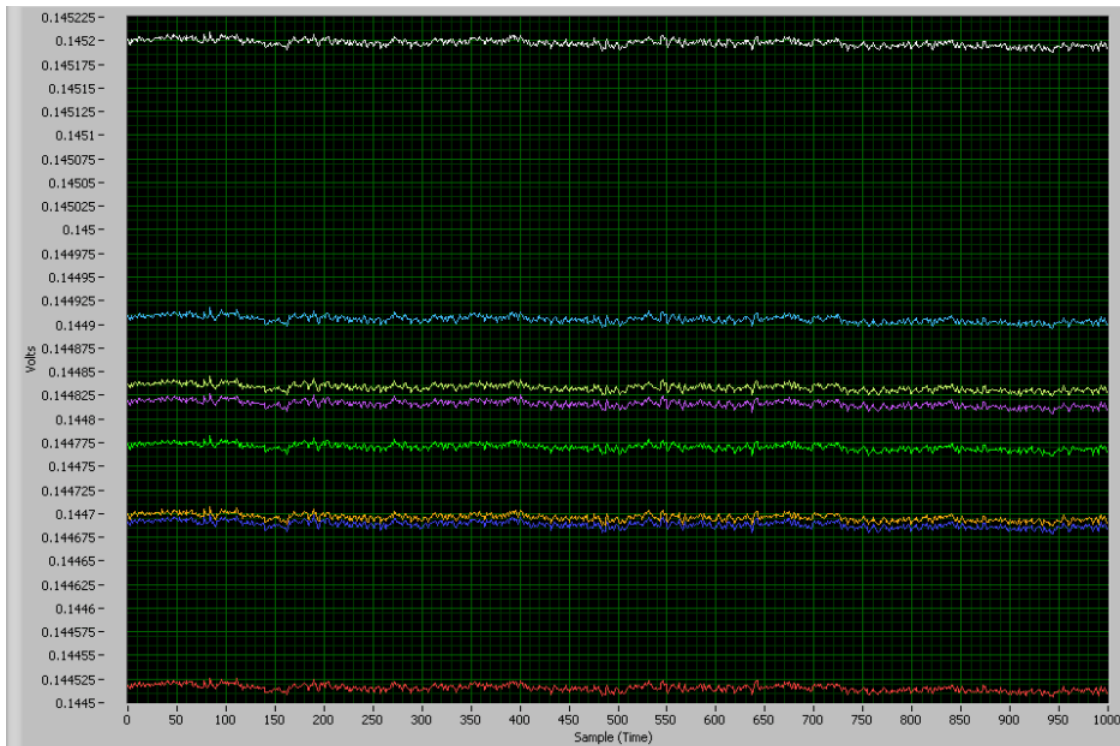


Figure 33. Eight-Channel Read of Internal Temperature

4.4 Normal Electrode Input

The *Normal Electrode* input on the MUX routes the inputs (VINP and VINN) differentially to the internal PGA, as Figure 11 illustrates. In this mode, an ECG, sine wave, or pulse generator may be connected to test the ADS1298R.

Figure 34 shows a typical six-lead output when connected to a 5mV_{PEAK} , 80BPM ECG signal.



Figure 34. Normal Electrode ECG Connection in ECG Display Tab

4.4.1 Capturing 12-Lead ECG Signals

To capture signals from external inputs:

1. Configure the **Channel Input** control in *Globally Set Channels* to *Normal Electrode*.
2. Connect the 10 ECG electrodes from the Fluke simulator to the EVM through the DB15 connector (J1). Refer to [Section A.3](#) for the ECG cable details. The ECG electrode signals are passed through a single pole RC filter followed by the lead configuration. For ECG signal processing, the electrode signals are routed through J5 to the ADS1298R input. The signal path in the board can be chosen by jumper settings, depending on the application.

4.5 MV_{DD} Input, RLD Measurement, RLD Positive Electrode Driver, and RLD Negative Electrode Driver

The MV_{DD} input option allows the measurement of the supply voltage $V_S = (AV_{DD} + AV_{SS})/2$ for channels 1, 2, 5, 6, 7, and 8; however, the supply voltage for channel 3 will be $DV_{DD}/2$. As an example, in bipolar supply mode, $AV_{DD} = 3.0\text{V}$ and $AV_{SS} = -2.5\text{V}$. Therefore, with the PGA gain = 1, the output voltage measured by the ADC will be approximately 0.25V.

The RLD measurement takes the voltage at the RLDIN pin and measures it on the PGA with respect to $(AV_{DD} + AV_{SS})/2$. This feature is beneficial if the user would like to optimize the gain of the RLD loop.

The voltage used to derive the right leg drive for both the positive and negative electrodes may also be measured with respect to $(AV_{DD} + AV_{SS})/2$.

4.6 Lead Derivation

The EVM is configured to generate the 12 ECG signals using 10 electrodes connected to the eight ADC channels. Lead I, Lead II, and V1-V6 are computed in the analog domain, while the augmented leads and Lead III are computed digitally. The channel assignments are described in [Table 2](#).

- LA = Left Arm
- LL = Left Leg
- RA = Right Arm

Table 2. ADS1298R Lead Measurements

ADS1298R Input Channels	Lead ⁽¹⁾
1	V6 = V6 – WCT
2	LEAD I = LA – RA
3	LEAD II = LL – RA
4	V2 = V2 – WCT
5	V3 = V3 – WCT
6	V4 = V4 – WCT
7	V5 = V5 – WCT
8	V1 = V1 – WCT

⁽¹⁾ $WCT = (LA + RA + LL)/3$

Table 3. Derived Lead Calculations

Derived Lead	Formula Used to Calculate
LEAD III	$LL - RA - LA = LEAD II - LEAD I$
aVR	$RA - (LA + LL) / 2 = - (LEAD I + LEAD II) / 2$
aVL	$LA - (RA + LL) / 2 = LEAD I - LEAD II / 2$
aVF	$LL - (RA + LA) / 2 = LEAD II - LEAD I / 2$

4.7 Wilson Center Terminal (WCT)

The Wilson Center Terminal voltage is internally generated by the ADS1298R device. The *WCT1* and *WCT2* registers provide controls to select any of the eight inputs (CH1P to CH4P, CH1M to CH4M) for routing to the three integrated WCT amplifiers.

The ADS1298RECG-FE is configured for 12-lead ECG inputs, with the limb electrodes connected as shown in [Table 2](#). During EVM power-up, the firmware configures the device to route CH2P, CH2M, and CH3P (RA, LA, LL) to the internal buffers. This configuration generates a signal at the WCT pin equal to $(RA + LA + LL)/3$. By installing JP16, the WCT is routed to the single-ended channels to achieve the desired signals.

4.8 Right Leg Drive

The RL electrode is driven directly by the RLD signal generated on-chip by the ADS1298R. The bandwidth of the RLD loop is determined by R8 (392kΩ) and C20 (10nF). Users can change these values to set the bandwidth based on their specific application. The loop stability is determined by the user's specific system. Therefore, adjustment of the feedback component values may be required to ensure stability if additional filtering components and long cables are added before the ADS1298RECG-FE.

In a typical application, the RLD signal is implemented as the average of RA, LA, and LL. For system flexibility, the ADS1298R allows the user to select any combination of the electrodes to generate the RLD (see [ADS1298R data sheet](#) for more details).

4.8.1 RLD Common Mode Voltage

The RLD common mode voltage can be set to $(AVDD+AVSS)/2$ or to an externally provided source. If the application requires the common mode to be set to any voltage other than mid-supply, this can be accomplished by setting the appropriate bit in the [Configuration 3 Register](#). On the ADS1298ECG-FE, the external RLDREF voltage is set using resistor R1 and adjustable resistor R2 (R1 and R2 are not installed by default).

During power-up, the firmware configures the device for internal RLDREF operation. To configure the RLD circuitry manually, use the following steps and the controls found on the **ADC Register** tab.

1. Verify that the **Channel Input** is set to the *Normal Electrode* mode for all channels (**Channel Registers** tab).
2. In *CONFIG3* control register (**Channel Registers** tab):
 - Enable the RLD Buffer (**RLD Buffer Power** = *Enable*)
 - Set the internal RLD reference (**RLDREF Signal Source**)
3. Select the electrodes for the RLD loop from the *Right Leg Drive Derivation Control Registers* controls (**LOFF and RLD** tab)

Once these steps are completed, measure and verify that the voltage on either side of R38 is close to mid-supply. This measurement confirms whether the RLD loop is functional.

The on-chip RLD signal can be fed back into the ADS1298R by shorting JP1. This RLD signal can then be sent to the ADC (to measure for debug purposes) or to other electrodes for driving (to change the reference drive in case the RL electrode falls off). Refer to the [ADS1298R product data sheet](#) for additional details.

4.8.2 Driving the RLD Cable Shield

Apart from the RLD signal, the ADS1298RECG-FE also offers three options to drive the cable shield:

- In-phase RLD signal
- Out-of-phase RLD signal
- Board AGND

[Table 4](#) summarizes the configuration of JP15 and JP17 for each of the options.

Table 4. RLD Jumper Options

ECG Cable ELEC_SHD signal	JP15	JP17
AGND	1-2	Don't Care
RLD (0: In phase)	2-3	2-3
RLD (180: Out of phase)	2-3	1-2

4.9 PACE Detection

The ADS1298R supports data rates up to 32kSPS for software PACE detection, which typically requires a data rate of at least 8kSPS.

NOTE: The ADS1298RECG-FE does **not** include software PACE detection algorithms.

The ADS1298R provides the user the flexibility of doing hardware PACE detection with external circuitry. PACE detection can be done simultaneously on two channels: one from the odd channels and one from the even channels. Refer to the [ADS1298R product data sheet](#) for additional details.

To turn on the PACE buffer and select the channels, set the **PACE** Register from the **GPIO and OTHER Registers** tab. The PGA outputs of the selected channels are available at connector J5, pins 1 and 2.

Figure 35 shows an example waveform created by a Fluke Medsim 300B processed by the ADS1298R at a data rate of 8kSPS. Using higher data rates increases power consumption because all channels must sample at this data rate simultaneously; thus, the PACE buffers offer the flexibility to process PACE signals separately from the ADS1298R. The signal must be AC coupled to obtain the waveform shown below.

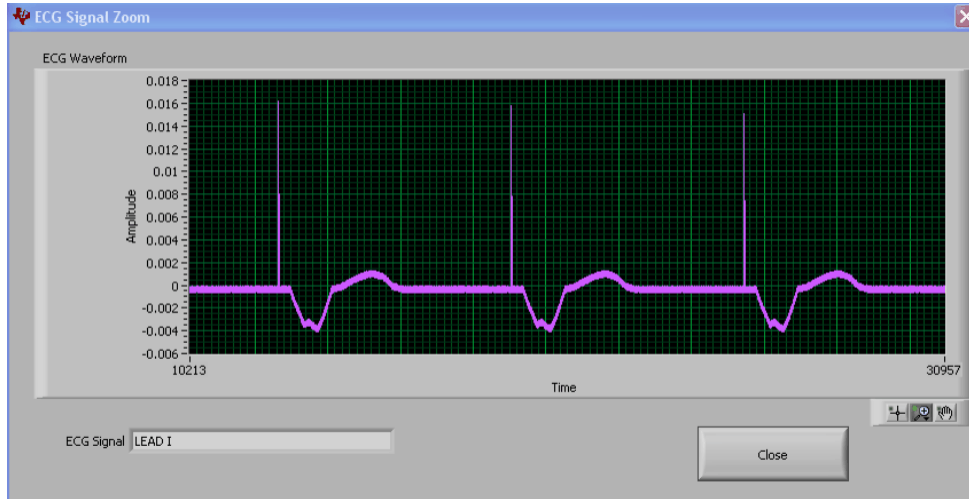


Figure 35. Digitization of PACE Signal Using ADS1298R

5 Evaluation of the ADS1298R Respiration Function

5.1 Introduction

The ADS1298R allows for the measurement of respiration rate based on the principle of impedance pneumography. The key concept of this approach is to measure the change in impedance of the thoracic cavity during breathing (respiration). The ADS1298REVM provides two ways to test the respiration circuitry: first, using onboard circuitry; and second, using a patient simulator with respiration outputs. This section describe both approaches.

5.2 Testing with Onboard Circuitry

For additional information on Impedance Pneumography, please refer to the following [application note](#).

5.2.1 Hardware Configuration

The ADS1298REVM has onboard circuitry to test a respiration circuit. A simplified diagram illustrating only the respiration portion of the circuit is shown in [Figure 36](#); the onboard circuitry to generate the respiration signal is within the red dotted box. By default, jumpers JP34 and JP35 connect the onboard circuitry for respiration evaluation. R77 models the baseline impedance of the thoracic cavity. This component is a surface-mount resistor located on the underside of the board; it can be changed if desired. R78 and R79 model the cable resistance (typically 1kΩ for patient monitoring). Capacitors C97 and C98 are used to model the parasitic capacitance that may be present when real cables are used. Capacitors C113 and C114 serve as a secondary means to prevent a single fault (such as a shorted C112 capacitor from a carrier generator) from causing excessive DC currents through the electrodes.

The parameter of interest is the change in impedance during breathing. This change in impedance is accomplished by switching 1MΩ impedance in parallel to R77 using an analog switch, U11. Two 1MΩ resistors (R82 and R83) have been added to provide a DC bias to this switch. Switch U11 must have a control signal that toggles between AVSS and AVDD at the desired respiration frequency. This control signal can be fed from either an onboard signal source or an external function generator via JP36.

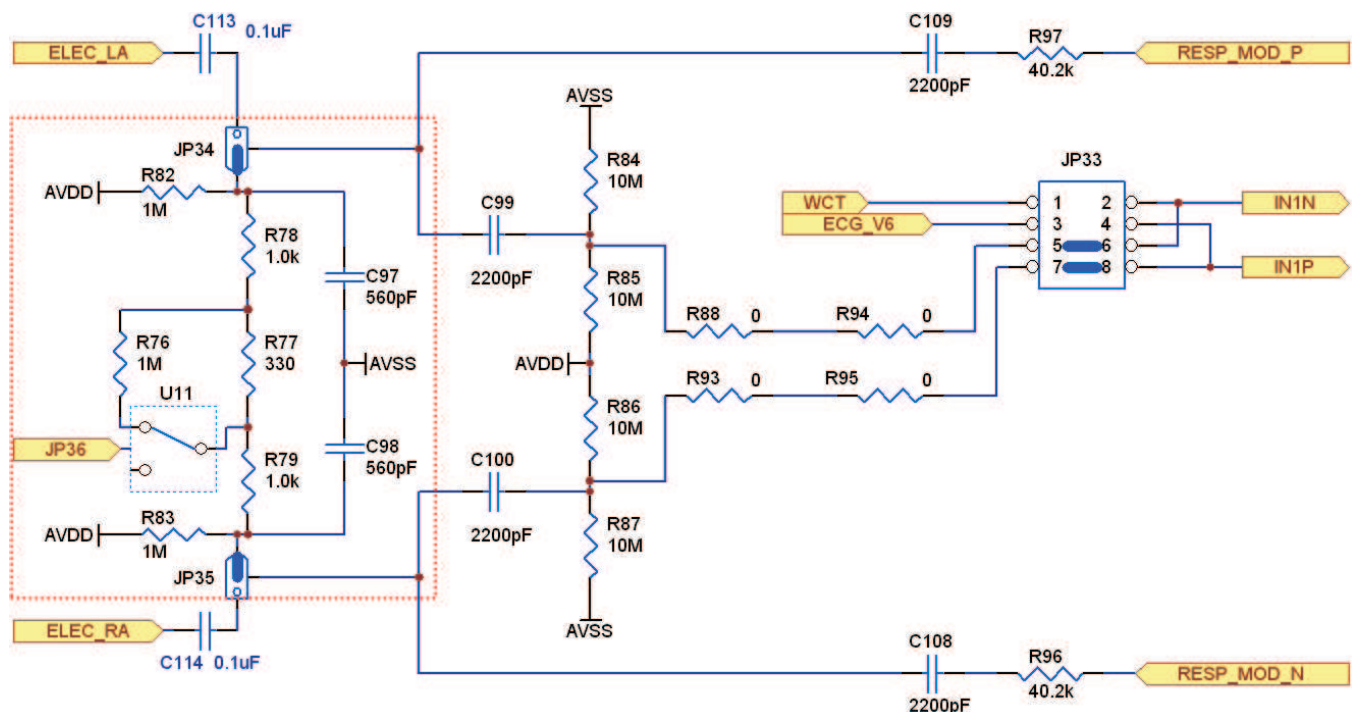


Figure 36. Respiration Evaluation with Onboard Circuitry

The remainder of the circuit is necessary for respiration measurements with both the onboard circuitry and patient simulator. Resistors R96 and R97 limit the amount of AC current that flows into the body. Capacitors C108 and C109 block any DC current from flowing into the body from the transmission side. Capacitors C99 and C100 serve the same purpose on the receiver side. The respiration capability is available on Channel 1. The respiration signals are routed to Channel 1 when the two shunts on JP33 are in the respective default locations, shorting pins 5-6 and 7-8 as shown in [Figure 36](#).

5.2.2 Software Configuration

The [Respiration Control Register](#) works in conjunction with Configuration Register 4 (CONFIG4). Certain bit changes must be done in order to activate the respiration circuitry of the ADS1298R.

For internal respiration with an internal clock, set the following:

- Configuration Register 4
 - **Respiration Frequency** to 32kHz
- **CHxSET** registers
 - *Normal Electrode*
 - **Gain** to 6
- RESP register set to:
 - **Respiration Demodulation** to Enabled
 - **Respiration Modulation** to Enabled
 - **VREF** to VREFP
 - **Respiration Phase** to 112.5 deg
 - **Respiration Control** to Internal Respiration with Internal Clock

Next, switch U11 must be toggled at the desired respiration frequency by applying a square wave via JP36. An onboard MSP430G2121 is provided to give approximately 0.1Hz through 0.5Hz. The MSP430 circuitry is selected when JP36 is loaded with a shunt jumper that shorts pins 1-2 (default). An external function generator can also be used for this purpose by applying a signal to SMA connector J6 and moving the shunt jumper on JP36 to cover pins 2-3. Data can be acquired by clicking on the *Acquire* tab. [Figure 37](#) shows the results for a 0.5Hz toggling of the switch.

The expected DC output can be calculated using [Equation 2](#).

$$\begin{aligned}
 DC_{-V} &= \frac{R77 + R78 + R79}{R96 + R97 + R77 + R78 + R79} \cdot (VREFP - VREFM) \\
 &= \frac{0.33k + 1k + 1k}{40k + 40k + 0.33k + 1k + 1k} \cdot 2.4 = 67.9mV
 \end{aligned} \tag{2}$$

The expected peak-to-peak output as a result of the impedance change can be calculated with [Equation 3](#); this value is the current flowing through the body:

$$I_B = \frac{VREFP - VREFM}{R77 + R78 + R79 + R96 + R97} = \frac{2.4}{82.33k} = 29.15\mu A \tag{3}$$

The Δ impedance and peak-to-peak output can be calculated with [Equation 4](#) and [Equation 5](#).

$$\Delta R = R77 - R77 \parallel R76 = 330 - 329.89 = 0.11\Omega \tag{4}$$

$$\Delta V = \Delta R \cdot I_B = 0.11 \cdot 29.15 = 3.2\mu V \tag{5}$$

The results shown in [Figure 37](#) are taken using a data rate of 500SPS. To obtain better resolution, these results must be low-pass filtered. [Figure 38](#) shows the result after the signal has been processed through a 2Hz low-pass filter.

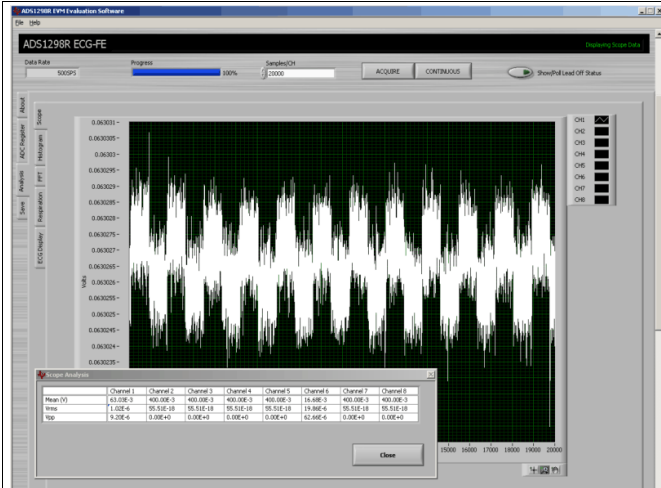


Figure 37. Channel 1 Δ Impedance Measurement

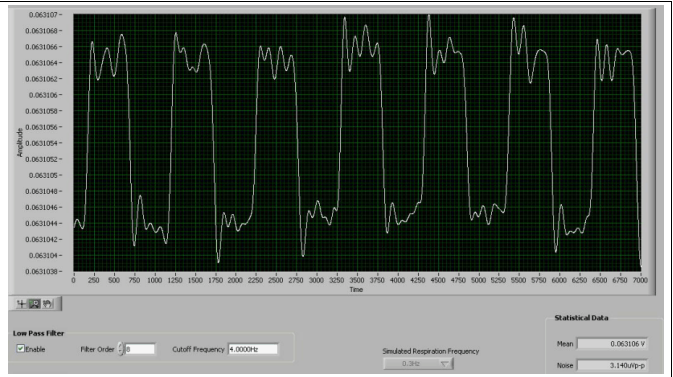


Figure 38. Results After Low-Pass Filtering

5.3 Testing with Patient Simulator

5.3.1 Hardware Configuration

The output from any typical patient simulator can be directly fed into the DB15 connector. The shunts on jumpers JP34 and JP35 should be moved from the respective default positions (shorting pins 1-2) so that these components now short pins 2-3.

5.3.2 Software Configuration

We then must write to the following registers before we take any data. Under the *ADC Register, Channel Registers* tab, the Global Channel Registers should be configured to the software default configuration (see [Section 3.4.1](#) for further details on software default configuration).

For internal respiration with an internal clock, set the following:

- **Channel Control Registers** control
 - **Channel Input** to Normal Electrode
 - **Gain** to 6
- Configuration Register 4
 - **Respiration Frequency** to 32kHz
 - **Pulse Mode Enabled** to Disable
 - **Lead-off Comparator Power-down** to Enable
- RESP register set to:
 - **Respiration Demodulation** to Enable
 - **Respiration Modulation** to Enable
 - **VREF** to VREFP
 - **Respiration Phase** to 112.5 deg
 - **Respiration Control** to Internal Respiration with Internal Clock

There are several options that permit users to choose different base impedance (R_B) and delta impedance (ΔR) on the simulator. For illustration purposes, a base impedance R_B of 500 Ω is chosen.

[Figure 39](#) shows the results with $R_B = 500\Omega$ and $\Delta R = 1\Omega$. The expected DC output can be calculated with [Equation 6](#):

$$\begin{aligned} DC_V &= \frac{R_B}{R_B + R96 + R97} \cdot (VREFP - VREFM) \\ &= \frac{0.5k}{0.5k + 40k + 40k} \cdot 2.4 = 14.9mV \end{aligned} \tag{6}$$

Current flowing through the body is calculated by [Equation 7](#):

$$I_B = \frac{VREFP - VREFM}{R96 + R97 + R_B} = \frac{2.4}{80.5k} = 29.81\mu A \tag{7}$$

The peak-to-peak output can then be calculated as shown in [Equation 8](#):

$$\Delta V = \Delta R \cdot I_B = 1 \cdot 29.15 = 29.1\mu V \tag{8}$$

Figure 39 and Figure 40 show the results with $R_B = 500\Omega$ and $\Delta R = 1\Omega$ and with $R_B = 500\Omega$ and $\Delta R = 0.1\Omega$, respectively.

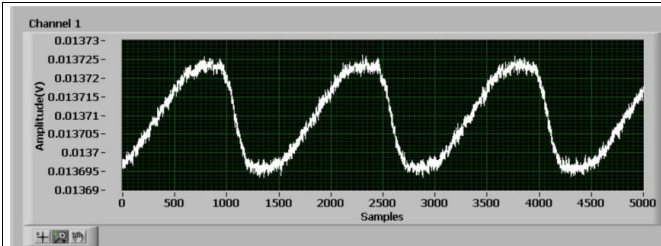


Figure 39. Channel 1 Result for $R_B = 500\Omega$ and $\Delta R = 1\Omega$

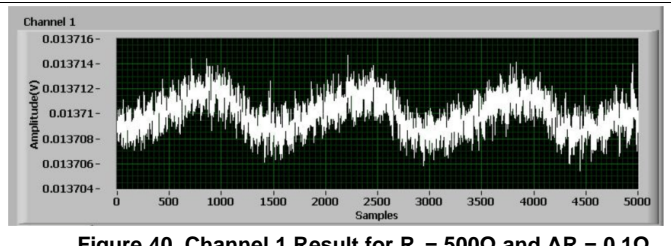


Figure 40. Channel 1 Result for $R_B = 500\Omega$ and $\Delta R = 0.1\Omega$

These two approaches to performing respiration measurements show that the internal respiration circuitry of the ADS1298R can resolve down to $100m\Omega$.

6 ADS1298R Daughter Card Hardware Details

The ADS1298RECG front-end evaluation board is configured to be used with the TI MMB0 data converter evaluation platform. The ADS1298RECG-FE board is a four-layer circuit board. The board schematic and layout are provided in [Appendix A](#).

The ADS1298R can be used as a demonstration board for standard, 12-lead ECG applications with an input configuration of 10 electrodes. Users can also bypass the 12-lead configuration and provide any type of signal directly to the ADS1298R through a variety of hardware jumper settings (JP26-JP33; see [Section A.2](#)). External support circuits are provided for testing purposes such as external references, clocks, lead-off resistors, and shield drive amplifiers.

Figure 41 shows the functional block diagram with important jumper names for the EVM.

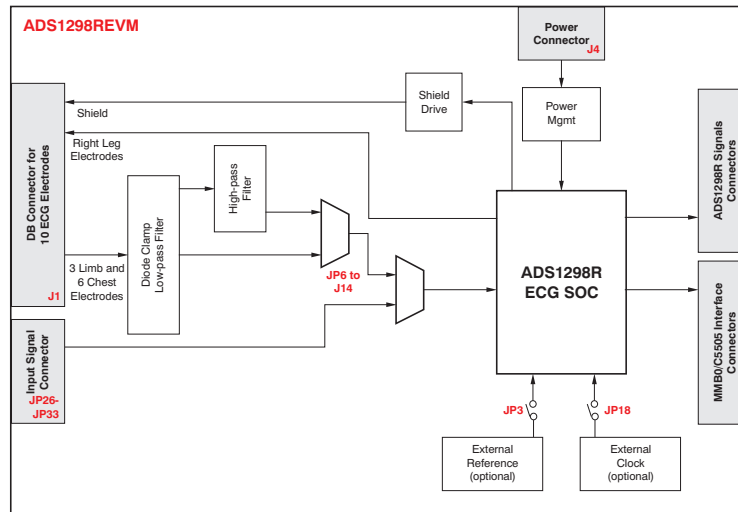


Figure 41. ADS1298R Front-End Block Diagram

6.1 Jumper Description

Table 5 shows the jumpers on the ADS1298RECG-FE and options available for each jumper.

Table 5. ADS1298RECG-FE Default Jumper/Switch Configuration

Jumper	Function	Settings
JP1	Installed	RLD feedback
JP2	AVDD supply source	1-2: AVDD selected for bipolar supply operation (AVDD = +2.5V) 2-3: AVDD selected for single supply operation (AVDD = +3.0V)
JP3	External Reference Connection (Header Not Installed) ⁽¹⁾	Open: External reference not connected Installed: External reference connected
JP4	Connect EVM +5V rail to J4(power header)	Open: EVM +5V must be supplied externally Installed: EVM +5V supplied from J4 (power header)
JP5	$\overline{\text{PWN}}$ source	Open: $\overline{\text{PWN}}$ pin controlled from J5 header (pulled up to DVDD) Installed: Device is powered down ($\overline{\text{PWN}}$ pin = AGND)
JP6 to JP114	Input signal DC/AC couples (Header Not Installed)	1-2: DC-coupled input signals (Pins 1-2 shorted on PCB) 2-3: AC-coupled input signals (Requires installation of header and cutting PCB short of pin 1-2)
JP15	ECG shield drive connected	1-2: ECG shield is grounded (AGND) 2-3: ECG shield is connected to buffer (required U2 installation, otherwise shield connection is open)
JP16	Wilson Central Terminal (WCT) connection	Open: WCT NOT connected to JP26-30 and JP33 Installed: WCT connected to JP26-30 and JP33 for connection to CH1 and CH4-8 IN-

⁽¹⁾ Requires installation of JP25 and references U3/U4

Table 5. ADS1298RECG-FE Default Jumper/Switch Configuration (continued)

Jumper	Function	Settings
JP17	ECG shield drive buffer input(Header Not Installed) ⁽²⁾	1-2: ECG shield drive connected to RLDOUT 2-3: ECG shield drive connected to RLDINV
JP18	CLK connection	1-2: CLK connected to DSP (J3.17) 2-3: CLK connected to OSC1
JP19	OSC1 Enable	1-2: OSC1 enabled 2-3: OSC1 disabled
JP20	AVSS supply source	1-2: AVSS selected for single supply operation (AVSS = 0V (AGND)) 2-3: AVSS selected for bipolar supply operation (AVSS = -2.5V)
JP21	CS source	1-2: CS connected to DSP via J3.1 2-3: CS connected to DSP via J3.7
JP22	START source	1-2: START comes from J3.1 2-3: START comes from J3.14
JP23	CLKSEL source	1-2: External Master Clock 2-3: Internal Master Clock (CLKSEL controlled by J3.2 (pulled up to DVDD))
JP24	DVDD Supply Select	1-2: DVDD supply = 1.8V 2-3: DVDD supply = 3.3V
JP25	External Reference Selection (Header Not Installed) ⁽³⁾	1-2: Select U4 as reference source 2-3: Selected U3 as reference source
JP26	1-2: CH8- connection	Open: Channel input not connected Installed: Channel input connected to WCT (requires JP16 to be installed)
	3-4: CH8+ connection	Open: Channel input not connected Installed: Channel input connected to ECG_V1
JP27	1-2: CH7- connection	Open: Channel input not connected Installed: Channel input connected to WCT (requires JP16 to be installed)
	3-4: CH7+ connection	Open: Channel input not connected Installed: Channel input connected to ECG_V5
JP28	1-2: CH6- connection	Open: Channel input not connected Installed: Channel input connected to WCT (requires JP16 to be installed)
	3-4: CH6+ connection	Open: Channel input not connected Installed: Channel input connected to ECG_V4
JP29	1-2: CH5- connection	Open: Channel input not connected Installed: Channel input connected to WCT (requires JP16 to be installed)
	3-4: CH5+ connection	Open: Channel input not connected Installed: Channel input connected to ECG_V3
JP30	1-2: CH4- connection	Open: Channel input not connected Installed: Channel input connected to WCT (requires JP16 to be installed)
	3-4: CH4+ connection	Open: Channel input not connected Installed: Channel input connected to ECG_V2
JP31	1-2: CH3- connection	Open: Channel input not connected Installed: Channel input is connected to ECG_RA
	3-4: CH3+ connection	Open: Channel input not connected Installed: Channel input is connected to ECG_LL
JP32	1-2: CH2- connection	Open: Channel input not connected Installed: Channel input is connected to ECG_RA
	3-4: CH2+ connection	Open: Channel input not connected Installed: Channel input is connected to ECG_LA
JP33	1-2: CH1- connection (Chest Lead 6 connected)	Open: Channel input not connected Installed: Channel input connected to WCT (requires JP16 to be installed)
	3-4: CH1+ connection (Chest Lead 6 connected)	Open: Channel input not connected Installed: Channel input connected to ECG_V6
	5-6: CH1- connection (Respiration connected)	Open: Channel input not connected Installed: Channel input connected to CH1- input signal mux (see JP34)
	7-8: CH1+ connection (Respiration connected)	Open: Channel input not connected Installed: Channel input connected to CH1- input signal mux (see JP35)

⁽²⁾ Requires installation of U2⁽³⁾ Requires installation of JP3 and references U3/U4

Table 5. ADS1298RECG-FE Default Jumper/Switch Configuration (continued)

Jumper	Function	Settings
JP34	CH1- Input Signal Mux	1-2: Connect RESP MOD- to JP33 2-3: Connect ECG_LA to JP33
JP35	CH1+ Input Signal Mux	1-2: Connect RESP MOD+ to JP33 2-3: Connect ECG_RA to JP33
JP36	Control signal for U11/U12 for on-board RESP circuitry	1-2: Use MSP430 as control signal source 2-3: Use External clock as control signal source

6.2 Power Supply

The ADS1298RECG front-end EVM mounts on the MMB0 EVM with connectors J2, J3 and J4. The main power supplies (+5V, +3V and +1.8V) for the front-end board are supplied by the host board (MMB0) through connector J4. All other power supplies needed for the front-end board are generated on board by power management devices. The EVM is shipped in +3V unipolar supply configuration.

The ADS1298R can operate in a single supply with +3.0V to +5.0V analog supply (AVDD/AVSS) or bipolar mode supply ($\pm 1.5V$ to $\pm 2.5V$). An additional digital supply of and +1.8V to +3.0V digital supply (DVDD) is required for operation. The ADS1298REVM power consumption can be measured by removing the JP4 jumper and JP24 jumper to connect an ammeter. By shorting JP5, the ADS1298R can be placed in powerdown mode for low power consumption.

Test points TP5, TP6, TP7, TP8, TP9, TP10, and TP14 are provided to verify that the host power supplies are correct. The corresponding voltages are shown in [Table 6](#).

Table 6. Power-Supply Test Points

Test Point	Voltage
TP7	+5.0V
TP9	+1.8V
TP10	+3.3V
TP5	+3.0V
TP13	+2.5V
TP6	-2.5V
TP8	GND

The front-end board must be properly configured in order to achieve the various power-supply schemes. The default power-supply setting for the ADS1298R is a unipolar analog supply of 3V or a bipolar analog supply of $\pm 2.5V$ and DVDD of either +3V or +1.8V. [Table 7](#) shows the board and component configurations for each analog power-supply scheme; [Table 8](#) shows the board configurations for the digital supply.

Table 7. Analog Supply Configurations (AVDD/AVSS)

AVDD/AVSS	Unipolar Analog Supply		Bipolar Analog Supply	
	3V	5V	$\pm 1.5V$	$\pm 2.5V$
JP20	1-2	1-2	2-3	2-3
JP2	2-3	2-3	1-2	1-2
U7	TPS73230	TPS73250	Don't Care	Don't Care
U9	Don't Care	Don't Care	TPS73201	TPS73201
U8	Don't Care	Don't Care	TPS72301	TPS72301
R52	Don't Care	Don't Care	21k Ω	47.5k Ω
R53	Don't Care	Don't Care	78.7k Ω	43k Ω
R56	Don't Care	Don't Care	23.3k Ω	49.9k Ω
R57	Don't Care	Don't Care	95.3k Ω	46.4k Ω
C87, C66, C62	Optional	Optional	Optional	Optional

Table 8. Digital Supply Configurations (DVDD/DGND)

DVDD	+3.0V	+1.8V
JP24	1-2	2-3

6.3 Clock

The ADS1298R has an on-chip oscillator circuit that generates a 2.048MHz clock (nominal). This clock can vary by $\pm 2\%$ over temperature. For applications that require higher accuracy, the ADS1298R can also accept an external clock signal. The ADS1298R provides an option to test both internal and external clock configurations. It also provides an option to generate the external clock from either the onboard oscillator or from an external clock source.

The onboard oscillator is powered by the DVDD supply of the ADS1298R. Care must be taken to ensure that the external oscillator can operate either with +1.8V or +3.0V, depending on the DVDD supply configuration. [Table 9](#) shows the jumper settings for the three options for the ADS1298R clocks.

Table 9. CLK Jumper Options

ADS1298R Clock	Internal Clock	External OSC Clock	External Clock
JP18	Not Installed	2-3	1-2
JP23	Open or 2-3	1-2 (Disable)	Don't Care
J3 – pin 17	Don't Care	Don't Care	Clock Source

A 2.048MHz oscillator installed on the EVM for +3V DVDD operation is FXO-HC735-2.048MHz. If operation at +1.8V DVDD is desired, the oscillator will need to be replaced. SiT8002AC-34-18E-2.048 is a possible oscillator for +1.8V DVDD operation. The EVM is shipped with the external oscillator enabled.

6.4 Reference

The ADS1298R has an on-chip internal reference circuit that provides reference voltages to the device. Alternatively, the internal reference can be powered down and VREFP can be applied externally. This configuration is achieved with the external reference generators (U3 and U4) and driver buffer. The external reference voltage can be set to either 4.096V or 2.5V, depending on the analog supply voltage. Measure TP3 to make sure the external reference is correct. The setting for the external reference is described in [Table 10](#).

Table 10. External Reference Jumper Options

ADS1298R Reference	Internal Reference	External Reference	
	VREF = 2.5V	VREFP = 4.096V	VREFP = 2.5V
JP25	Don't Care	2-3	1-2
JP3	Not Installed	Installed	Installed

The software uses the V_{REF} value from the **Reference Voltage** control (*CONFIG3* register) in [Section 3.4.2.1](#) to calculate the input-referred voltage value for all the tests. The default value is 2.5V. If the user is using an alternative value, the control must be updated to display the collected data to the proper scale.

6.5 Analog Output Signals

Several output signals from the ADS1298R are provided on the J5 header. [Table 11](#) lists the various test signals and their location on the header. The PACEOUT pins can also be used as an auxiliary differential input channel. Alternatively with appropriate user configuration, these pins may provide PACE detection for use with external PACE detection circuitry (see PACE Detect Register in [Section 3.4.4](#)).

Table 11. Test Signals

Signal	J5 Pin Number		Signal
PACEOUT1	1	2	PACEOUT2
RESERVE	3	4	RESERVE
GPIO4	5	6	PWDNB
GPIO3	7	8	DAISY_IN
GND	9	10	VCC_5V

6.6 Digital Signals

The ADS1298R digital signals (including SPI interface signals, some GPIO signals, and some of the control signals) are available at connector J3. These signals are used to interface to the MMB0 board DSP. The pinout for this connector is given in [Table 12](#).

Table 12. Serial Interface Pinout

Signal	J3 Pin Number		Signal
START/CS	1	2	CLKSEL
CLK	3	4	GND
NC	5	6	GPIO1
\overline{CS}	7	8	RESETB
NC	9	10	GND
DIN	11	12	GPIO2
DOUT	13	14	NC/START
DRDYB	15	16	SCL
NC	17	18	GND
NC	19	20	SDA

6.7 Analog Input Signals

The ADS1298R provides users the option to feed in standard ECG signals from a patient simulator to the DB15 connector, or to feed inputs from any arbitrary signal source directly to the ADS1298R.

6.7.1 Patient Simulator Input

The output from any typical patient simulator can be directly fed in to the DB15 connector. For all measurements in this user guide, a Fluke medSim 300B simulator was used, as [Figure 42](#) shows. The simulator is capable of generating ECG signals down to 50 μ V of amplitude. Particular attention must be given to the common-mode value of the input signal for proper data capture. Refer to the [ADS1298R product data sheet](#) for the common-mode range for various programmable gain amplifier (PGA) gain settings. [Section 4.4.1](#) explains the process used to capture 12-lead ECG data.



Figure 42. Fluke Simulator Configuration

6.7.2 Arbitrary Input Signals

Arbitrary input signals can be connected to the ADS1298R by bypassing the DB15 connector and feeding the signal directly at jumpers JP26-JP33. This requires the removal of the 16 jumpers at JP26-JP33. The input signal must be connected differentially since each ADC channel input is differential. If it is desired to connect single-ended signals, bias the negative input of the channels to a mid-supply voltage.

NOTE: Ensure that the single-ended signal has an offset equal to the voltage supplied at the negative input of the channel.

BOM, Layout, and Schematics

This section contains the complete bill of materials, printed circuit board (PCB) layouts, and schematic diagrams for the ADS1298R.

NOTE: Board layouts are not to scale. These are intended to show how the board is laid out; they are not intended to be used for manufacturing ADS1298R PCBs.

A.1 ADS1298R Front-End Board Schematics

The ADS1298R schematic is appended to this document.

A.2 Printed Circuit Board Layout

Figure 43 through Figure 46 show the ADS1298R PCB layouts.

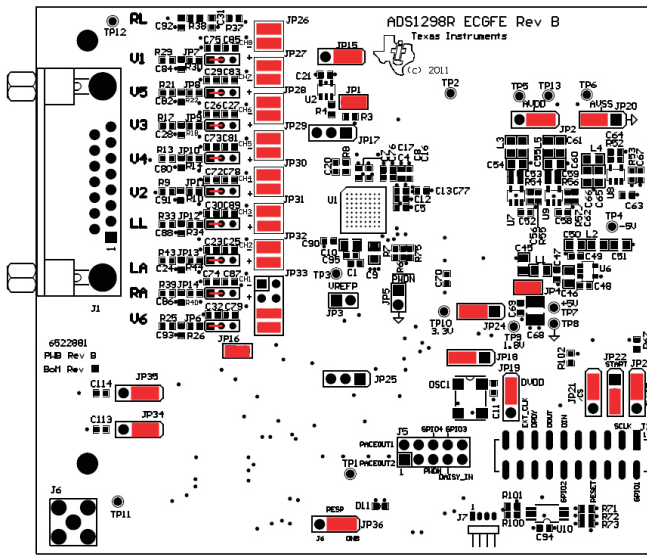


Figure 43. Top Component Placement

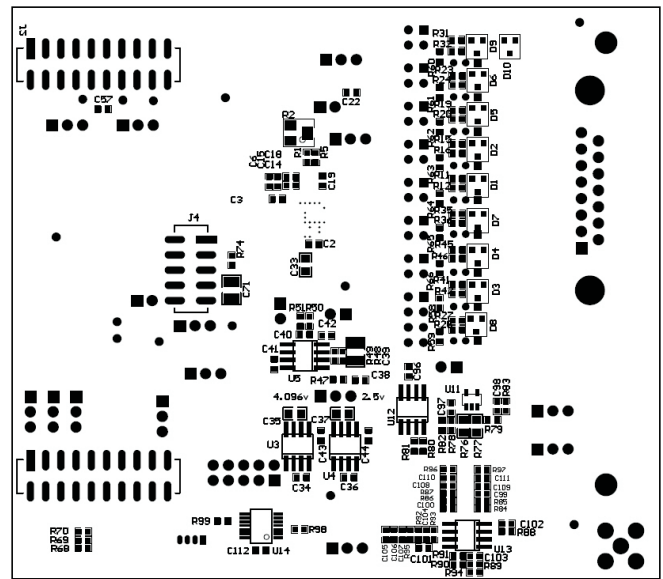


Figure 44. Bottom Component Placement and Routing

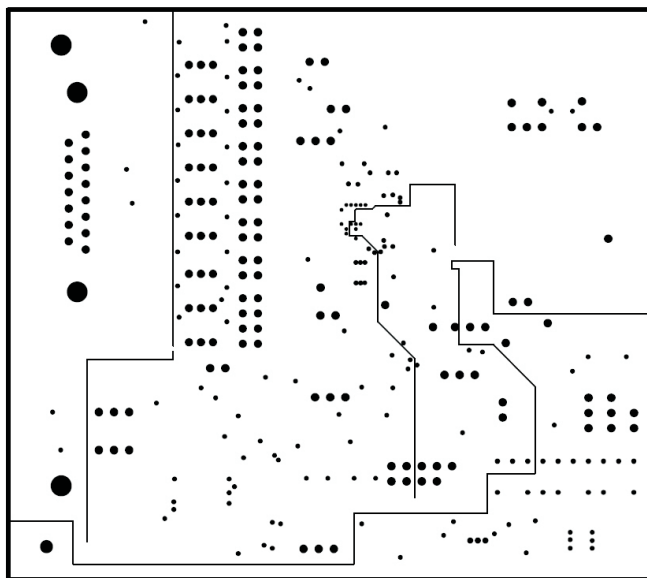


Figure 45. Internal Ground Plane (Layer 2)

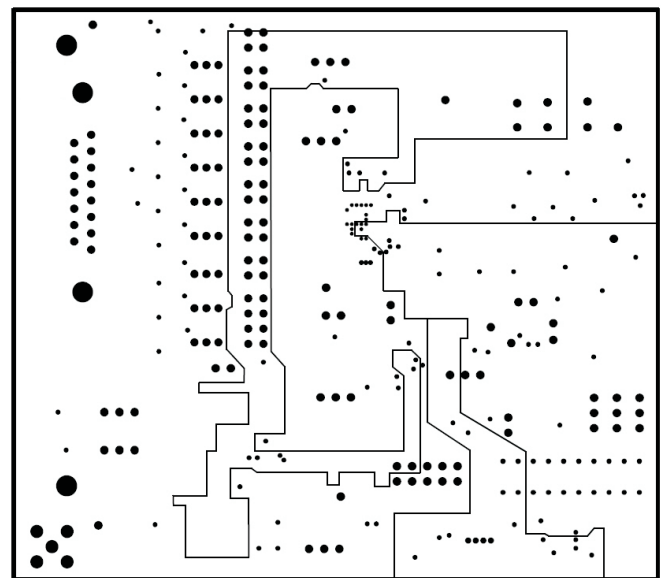


Figure 46. Internal Power Plane (Layer 3)

A.3 ECG Cable Details

Figure 47 shows the details of the recommended ECG cable.

Cable details:

- 10-lead ECG cable for Philips/HP-snap, button (Part No: 010302013); <http://www.biometriccables.com/index.php?productID=692>
- 10-lead ECG cable for Philips/HP-Clip-on type (Part No: 010303013A); <http://www.biometriccables.com/index.php?productID=693>

Another compatible cable for the ADS1298R: HP/Philips/Agilent-compatible 10-lead ECG cable.

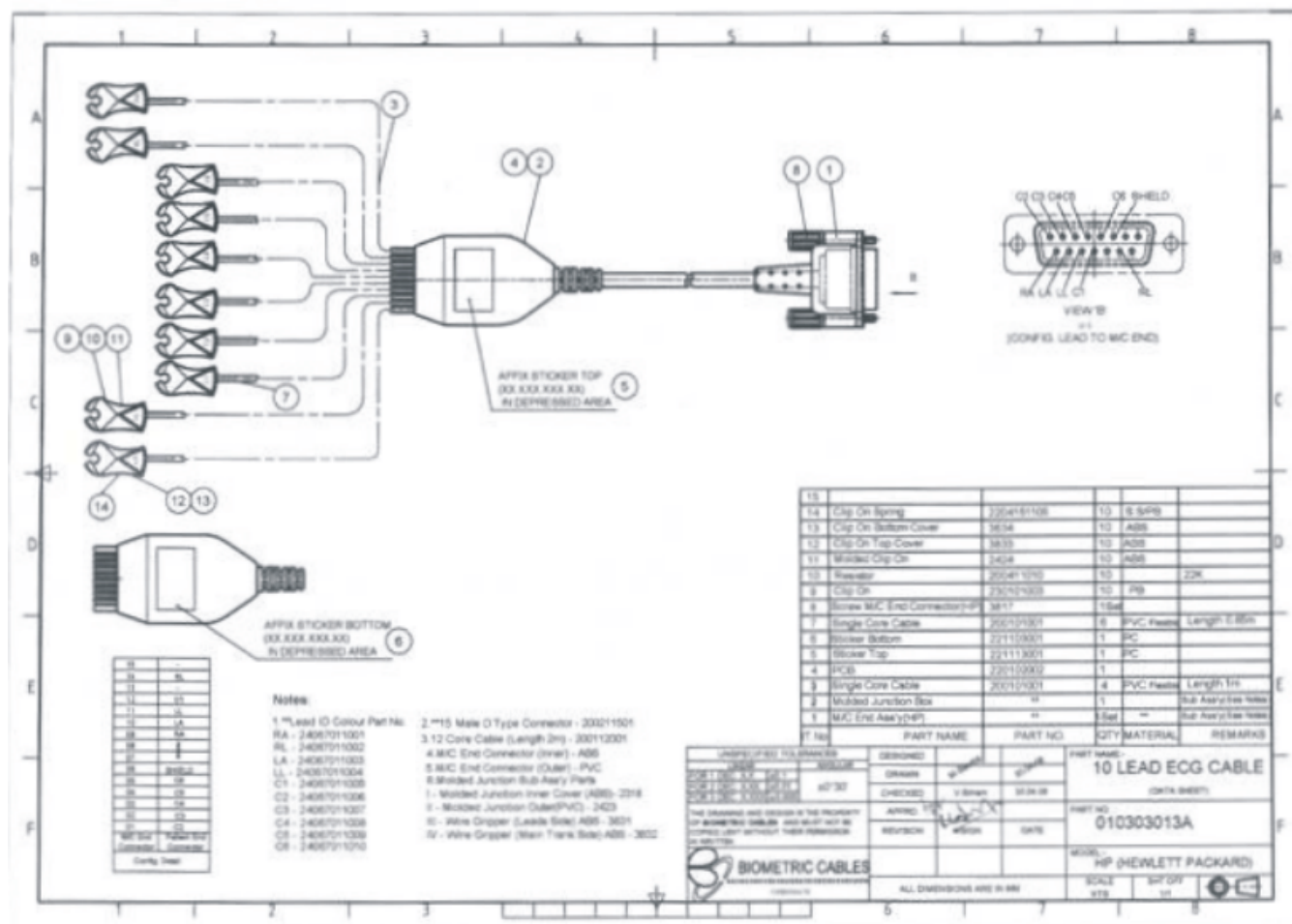


Figure 47. ECG Cable Schematic

A.4 Bill of Materials

Table 13 lists the bill of materials for the ADS1298R.

Table 13. Bill of Materials: ADS1298R

Item	Quantity	Reference Designator	Description	Manufacturer	Part Number
1	1	NA	Printed Wiring Board	TI	6522881
2	16	C1, C2, C3, C4, C5, C6, C11, C17, C47, C48, C49, C52, C58, C76, C77, C96	Capacitor, ceramic 1 μ F 25V 10% X5R 0603	Murata	GRM188R61E105KA12D
3	0	C7, C8, C15, C19, C21, C22, C25, C27, C34, C36, C38, C40, C41, C42, C43, C44, C56, C62, C67, C78, C79, C81, C83, C85, C87, C89, C92, C101 - C107, C110, C111	Not installed		
4	1	C9	Capacitor, ceramic 22 μ F 6.3V 10% X5R 0805	Taiyo Yuden	JMK212BJ226KG-T
5	11	C10, C45, C46, C50, C51, C54, C55, C60, C61, C65, C66	Capacitor, ceramic 10 μ F 10V 10% X5R 0805	Murata	GRM219R61A106KE44D
6	13	C12, C13, C14, C16, C18, C57, C69, C70, C94, C95, C112, C113, C114	Capacitor, ceramic 0.1 μ F 50V 10% X7R 0603	Murata	GRM188R71H104KA93D
7	1	C20	Capacitor, ceramic 1500pF 50V 5% C0G 0603	Murata	GRM1885C1H152JA01D
8	19	C23, C24, C26, C28, C29, C30, C31, C32, C72, C73, C74, C75, C80, C82, C84, C86, C88, C91, C93	Capacitor, ceramic 47pF 50V 5% C0G 0603	Murata	GRM1885C1H470JA01D
9	0	C33, C35, C37	Not installed		
10	0	C39	Not installed		
11	4	C53, C59, C63, C64	Capacitor, ceramic 2.2 μ F 6.3V 10% X5R 0603	Murata	GRM185R60J225KE26D
12	2	C68, C71	Capacitor, ceramic 100 μ F 10V 20% X5R 1210	Taiyo Yuden	LMK325BJ107MM-T
13	1	C90	Capacitor, ceramic 1000pF 50V 5% C0G 0603	Murata	GRM1885C1H102JA01D
14	2	C97, C98	Capacitor, ceramic 560pF 50V 5% C0G 0603	Murata	GRM1885C1H561JA01D
15	4	C99, C100, C108, C109	Capacitor, ceramic 2200pF 50V 5% C0G 0603	Murata	GRM1885C1H222JA01D
16	0	D1 - D10	Not installed		
17	1	D11	LED 565nm Green DIFF 0603 SMD	Lumex	SML-LX0603GW-TR
18	1	J1	CONN D-SUB RCPT 15-Position R/A PCB SLD	FCI	D15S13A4GV00LF
			CONN D-SUB RCPT R/A 15-Position Gold	Tyco	5747845-3
19	2	J2, J3 (Bottom)	10-Pin, Dual Row, SM Header (20 Pos.)	Samtec	SSW-110-22-F-D-VS-K
20	1	J3 (Top)	10-Pin, Dual Row, SM Header (20 Pos.)	Samtec	TSM-110-01-T-DV-P
21	1	J4 (Bottom)	5-Pin, Dual Row, SM Header (10 Pos.)	Samtec	SSW-105-22-F-D-VS-K
22	0	J5	Not Installed		
23	1	J6	Connector, SMA Jack Straight PCB	Amphenol	132134
				Emerson	142-0701-201
24	1	J7(TOP)	Connector, Socket RT ANG 50-Pos .050 (Cut to 4 pins)	Mill-Max	851-43-050-20-001000
25	4	JP1, JP4, JP5, JP16	2-Position Jumper _ 0.1" spacing	Samtec	TSW-102-07-T-S
26	0	JP3	Not installed		
27	0	JP6, JP7, JP8, JP9, JP10, JP11, JP12, JP13, JP14, JP17, JP25	Not installed		
28	12	JP2, JP15, JP18, JP19, JP20, JP21, JP22, JP23, JP24, JP34, JP35, JP36	3-Position Jumper _ 0.1" spacing	Samtec	TSW-103-07-T-S
29	7	JP26 - JP32	2x2x.1, 2-Pin Dual Row Header	Samtec	TSW-102-07-T-D

Table 13. Bill of Materials: ADS1298R (continued)

Item	Quantity	Reference Designator	Description	Manufacturer	Part Number
30	1	JP34	4x2x.1, 4-Pin Dual Row Header	Samtec	TSW-104-07-T-D
31	5	L1 - L5	Ferrite bead 470 Ω 0805	Taiyo Yuden	BK2125HM471-T
32	0	R1, R4, R5, R11, R12, R15, R16, R19, R20, R23, R24, R27, R28, R31, R32, R35, R36, R41, R42, R45, R46, R47 - R51, R54, R55, R58 - R66, R68, R69, R70, R89, R90, R91, R92	Not installed		
33	0	R2	Not installed		
34	9	R3, R71, R72, R73, R74, R88, R93, R94, R95	Resistor, 0.0Ω 1/10W 5% 0603 SMD	Yageo	RC0603JR-070RL
35	17	R6, R7, R10, R14, R18, R22, R26, R30, R34, R38, R40, R44, R67, R75, R100, R101, R102	Resistor, 10.0kΩ 1/10W 1% 0603 SMD	Yageo	RC0603FR-0710KL
36	10	R9, R13, R17, R21, R25, R29, R33, R37, R39, R43	Resistor, 22.1kΩ 1/10W 1% 0603 SMD	Yageo	RC0603FR-0722K1L
37	1	R52	Resistor, 47.5kΩ 1/10W 1% 0603 SMD	Yageo	RC0603FR-0747K5L
38	1	R53	Resistor, 43.2kΩ 1/10W 1% 0603 SMD	Yageo	RC0603FR-0743K2L
39	1	R56	Resistor, 49.9kΩ 1/10W 1% 0603 SMD	Yageo	RC0603FR-0749K9L
40	1	R57	Resistor, 46.4kΩ 1/10W 1% 0603 SMD	Yageo	RC0603FR-0746K4L
41	1	R76	Resistor, 1.00MΩ 1/8W 1% 0805 SMD	Yageo	RC0805FR-071ML
42	1	R77	Resistor, 330Ω 1/8W 1% 0805 SMD	Yageo	RC0805FR-07330RL
43	2	R78, R79	Resistor, 1.00kΩ 1/10W 1% 0603 SMD	Yageo	RC0603FR-071KL
44	5	R8, R80, R81, R82, R83	Resistor, 1.00MΩ 1/10W 1% 0603 SMD	Yageo	RC0603FR-071ML
45	4	R84, R85, R86, R87	Resistor, 10.0MΩ 1/10W 1% 0603 SMD	Yageo	RC0603FR-0710ML
46	2	R96, R97	Resistor, 40.2kΩ 1/10W 1% 0603 SMD	Yageo	RC0603FR-0740K2L
47	1	R98	Resistor, 330Ω 1/10W 1% 0603 SMD	Yageo	RC0603FR-07330RL
48	1	R99	Resistor, 47.0kΩ 1/10W 1% 0603 SMD	Yageo	RC0603FR-0747KL
49	5	TP1, TP2, TP8, TP11, TP12	Test Point PC Mini .040"D Black	Keystone	5001
50	8	TP3, TP4, TP5, TP6, TP7, TP9, TP10, TP13	Test Point PC Mini .040"D Red	Keystone	5000
51	1	U1	8-Channel, 24-Bit Analog-To-Digital Converter with Integrated ECG Front End	TI	ADS1298RIZXG
52	0	U2	Not installed		
53	0	U3, U4, U5, U13	Not installed		
54	1	U6	IC, Unreg Chrg Pump V Inv SOT23-5	TI	TPS60403DBVR
55	1	U7	IC LDO Reg 250mA 3.0V SOT23-5	TI	TPS73230DBVR
56	1	U8	IC LDO Reg Neg 200mA ADJ SOT23-5	TI	TPS72301DBVT
57	1	U9	IC LDO Reg 250mA ADJ-V SOT23-5	TI	TPS73201DBV
58	1	U10	IC EEPROM 256kBit 400kHz 8TSSOP	Microchip	24AA256-I/ST
59	1	U11	IC Switch SPST SOT23-5	TI	TS5A3166DBVR
60	1	U12	IC Comparator P-P Nanopwr 8-SOIC	TI	TLV3491AID
61	1	U14	IC MCU 16-Bit 14TSSOP	TI	MSP430G2121IPW14R
62	1	OSC1	OSC 2.0480 MHz 3.3V HCMOS SMT	Fox	FXO-HC735-2.048MHz

External Optional Hardware

B.1 Optional External Hardware (Not Included)

The input of the ADS1298R requires a DB15 connector. [Figure 48](#) illustrates the most optimal cable connection to the ADS1298R. [Figure 49](#) and [Figure 50](#) show two alternate ways that cables can be constructed to interface with the ADS1298R. [Figure 51](#) shows an alternate testing tool to the instrument used in the tests for this user guide (refer to [Section 6.7.1](#)).



Figure 48. 15-Pin, Shielded Connector from Biometric Cables

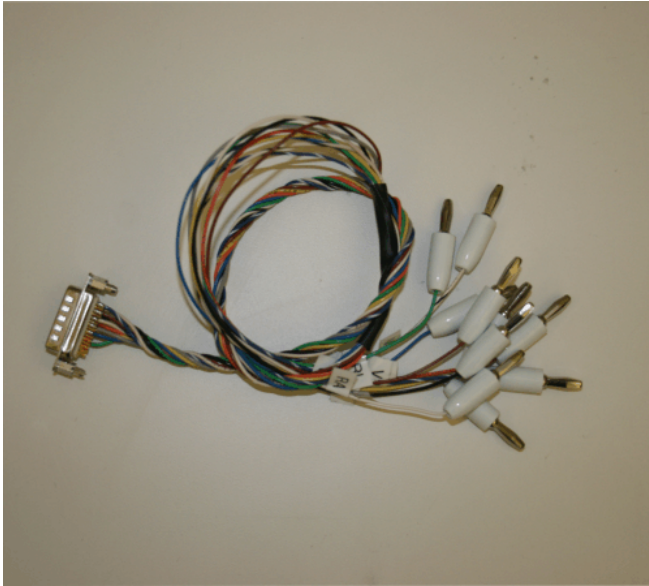


Figure 49. 15-Pin, Twisted Wire Cable to Banana Jacks



Figure 50. 15-Pin, Twisted Wire Cable

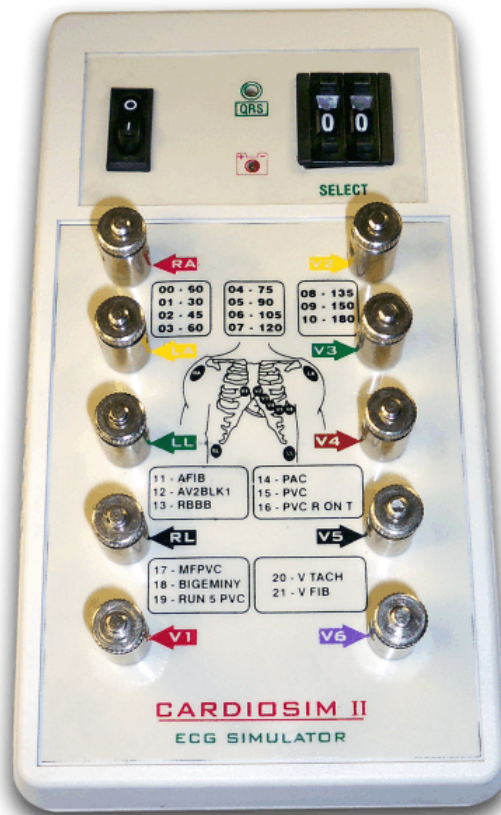


Figure 51. Cardiosim ECG Simulator Tool

B.2 ADS1298R Power-Supply Recommendations

If you chose to power the MMB0 board through the wall adapter jack, it must comply with the following requirements:

- Output voltage: 5.5 VDC to 15 VDC.
- Maximum output current: ≥ 500 mA.
- Output connector: barrel plug (positive center), 2.5-mm I.D. x 5.5-mm O.D. (9-mm insertion depth).
- Complies with applicable regional safety standards.

Figure 52 shows a +6V power-supply cable (not provided in the EVM kit) connected to a battery pack with four 1.5V batteries connected in series. Connecting to a wall-powered source makes the ADS1298R more susceptible to 50Hz/60Hz noise pickup; therefore, for best performance, it is recommended to power the ADS1298R with a battery source. This configuration minimizes the amount of noise pickup seen at the digitized output of the ADS1298R.



Figure 52. Recommended Power Supply for ADS1298R

Software Installation

C.1 Minimum Requirements

Before installing the software, verify that your PC meets the minimum requirements outlined below.

- Pentium III®/Celeron® processor, 866MHz or equivalent
- Minimum 256MB of RAM (512MB or greater recommended)
- USB 1.1-compatible input
- Hard disk drive with at least 200MB free space
- Microsoft® Windows® XP operating system with SP2 (Windows Vista and Windows 7 are **NOT** supported)
- Mouse or other pointing device
- 1280 x 960 minimum display resolution

C.2 Installing the Software

CAUTION

Do not connect the ADS1298R before installing the software on a suitable PC. Failure to observe this caution may cause Microsoft Windows to not recognize the ADS1298R.

The latest software is available from the ADS1298RECGFE-PDK product folder on the TI web site. Check the TI web site regularly for updated versions.

To install the ADS1298R software:

- Download the software from <http://www.ti.com/tool/ads1298recgfe-pdk>.
- Click on the executable file **ads129xecg-fe-y.y.y.exe**, where y.y.y represents the version number of the software installer

Then follow the prompts illustrated in [Figure 53](#) through [Figure 56](#).

You must accept the license agreement (shown in [Figure 54](#)) before you can proceed with the installation.

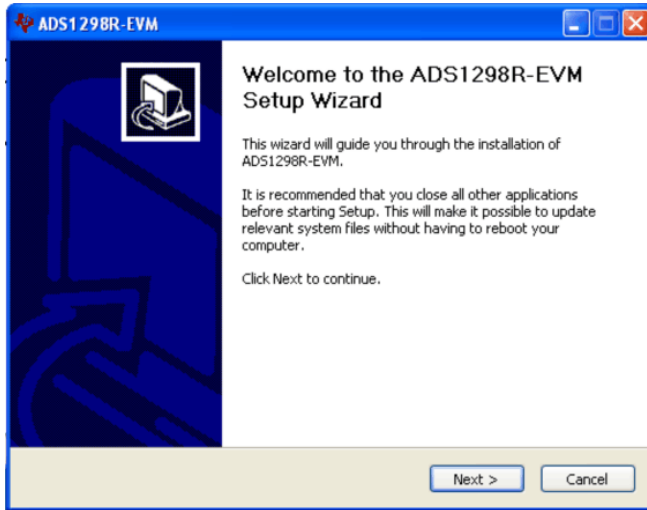


Figure 53. Initialization of ADS1298R

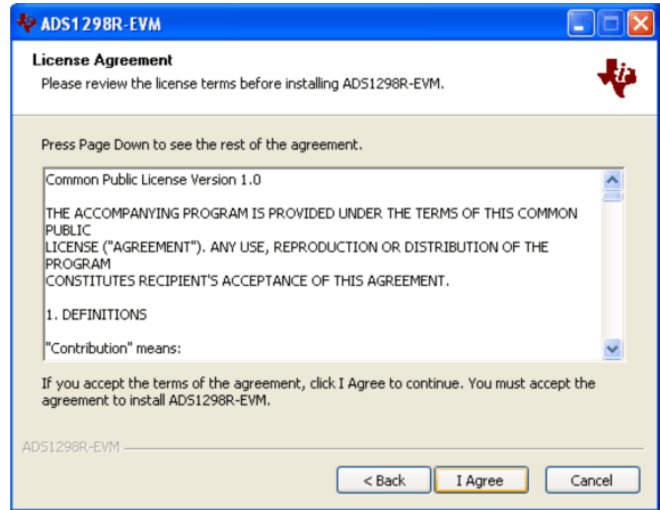


Figure 54. License Agreement

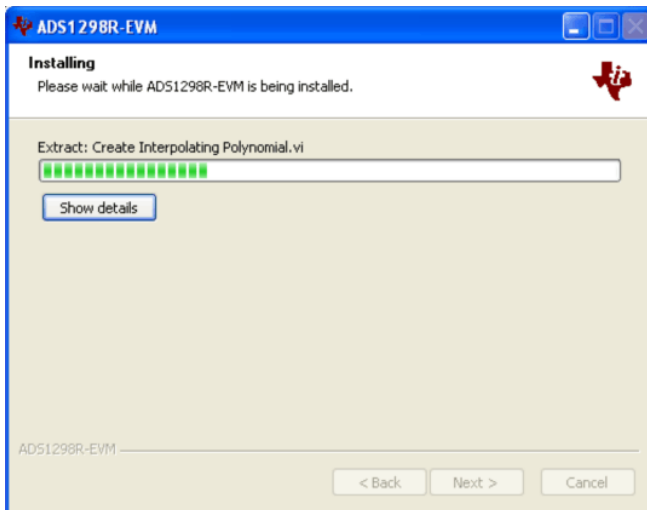


Figure 55. Installation Process

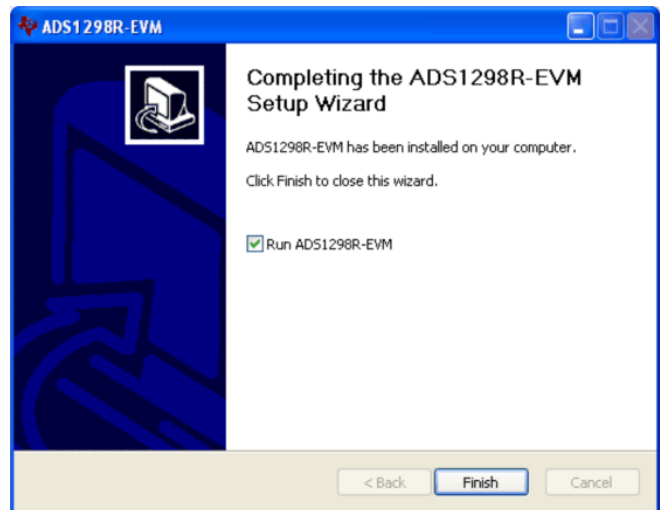
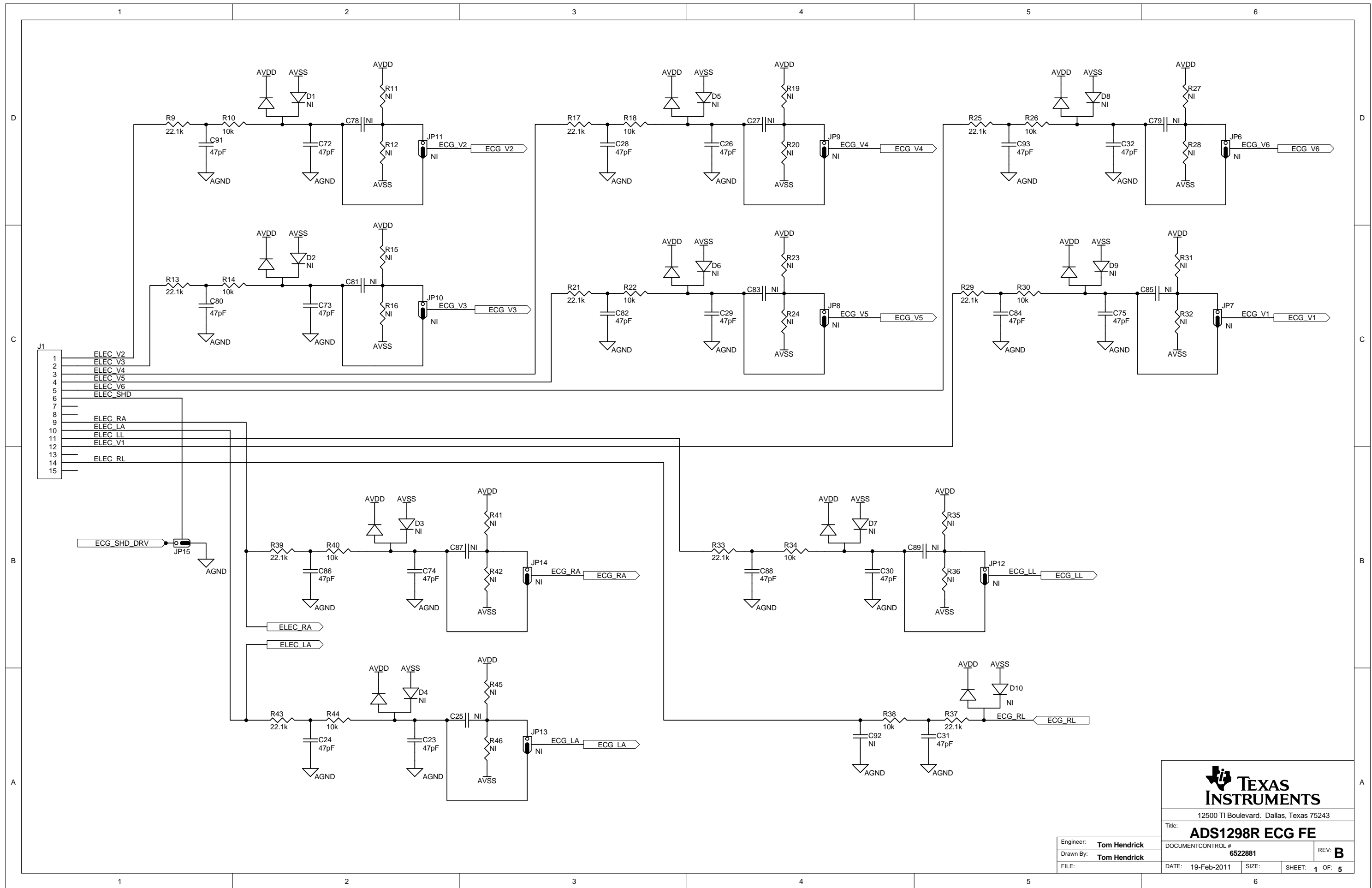


Figure 56. Completion of ADS1298R Software Installation

Revision History

Changes from A Revision (September 2012) to B Revision	Page
• Deleted power adapter from Figure 1	9
• Deleted bullet in Section 1.5 ... "Universal AC to DC wall adapter".....	9
• Changed "No additional power connections are required" in Section 2.2 to "Refer to Appendix B2 for details about the MMB0 power supply".....	12
• Added new paragraph to Section B.2 ... "If you chose to power the MMB0 board through the wall adapter jack"...	59
• Deleted "provided in the EVM kit" from Section B.2	59

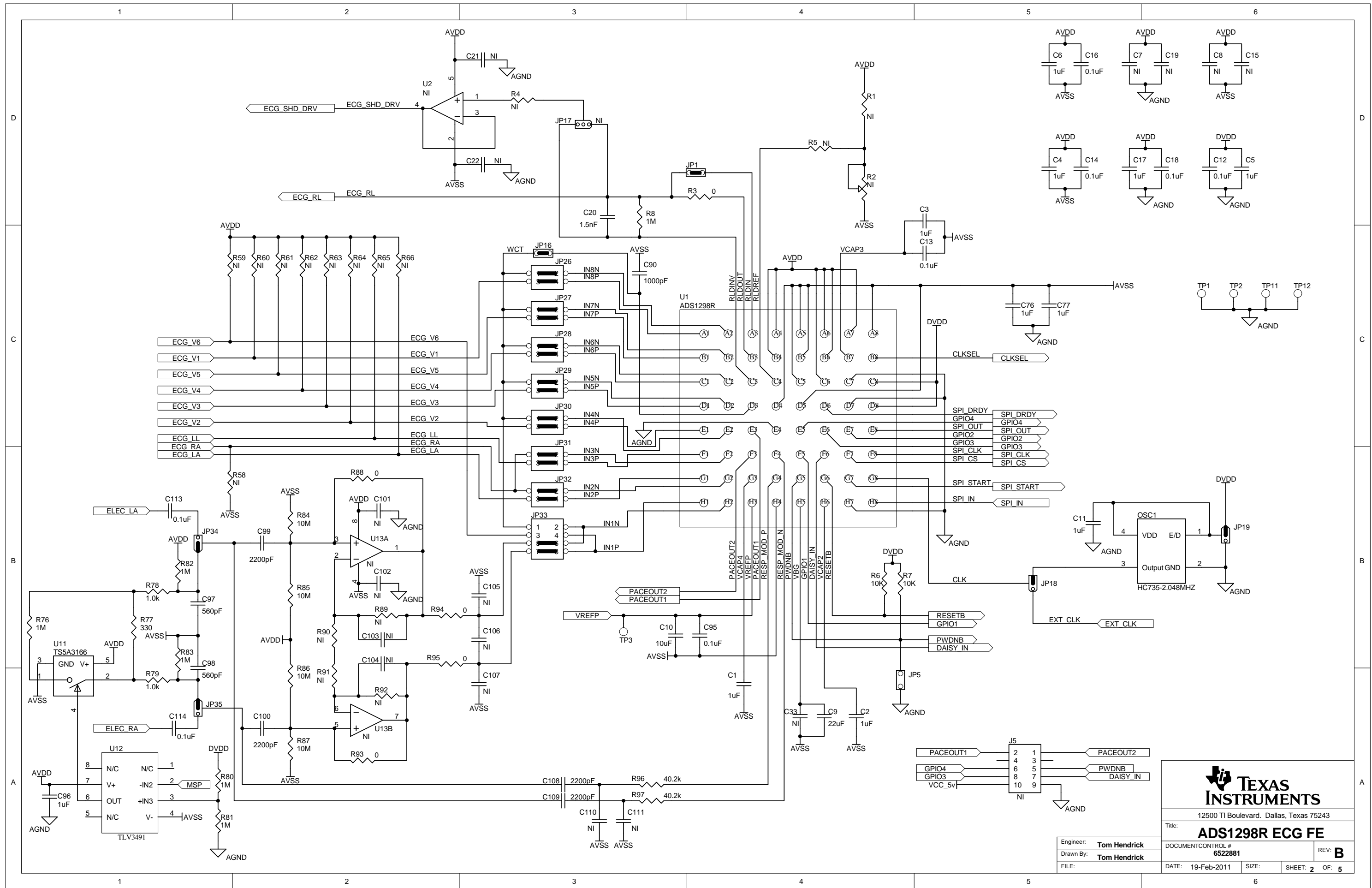
NOTE: Page numbers for previous revisions may differ from page numbers in the current version.




12500 TI Boulevard, Dallas, Texas 75243

Title: **ADS1298R ECG FE**

Engineer: Tom Hendrick	DOCUMENT CONTROL # 6522881	REV: B
Drawn By: Tom Hendrick	DATE: 19-Feb-2011	SIZE: SHEET: 1 OF 5

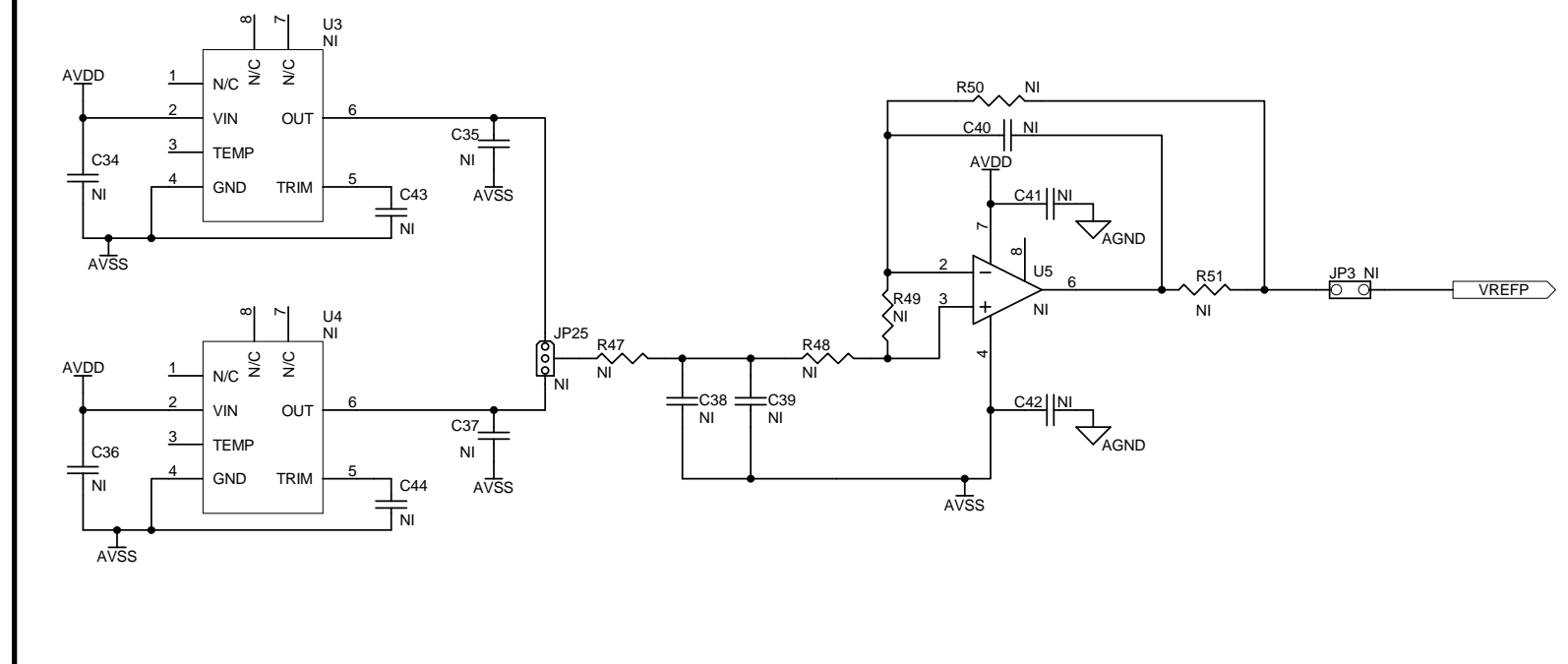



TEXAS INSTRUMENTS
 12500 TI Boulevard, Dallas, Texas 75243
 Title: **ADS1298R ECG FE**
 DOCUMENT CONTROL # **6522881**
 REV: **B**
 DATE: 19-Feb-2011 SIZE: SHEET: **2** OF: **5**

Engineer: **Tom Hendrick**
 Drawn By: **Tom Hendrick**
 FILE:

External Reference

Optional External Reference



NOT INSTALLED



12500 TI Boulevard, Dallas, Texas 75243

Title: **ADS1298R ECG FE**

Engineer: **Tom Hendrick**

DOCUMENT CONTROL # **6522881**

REV: **B**

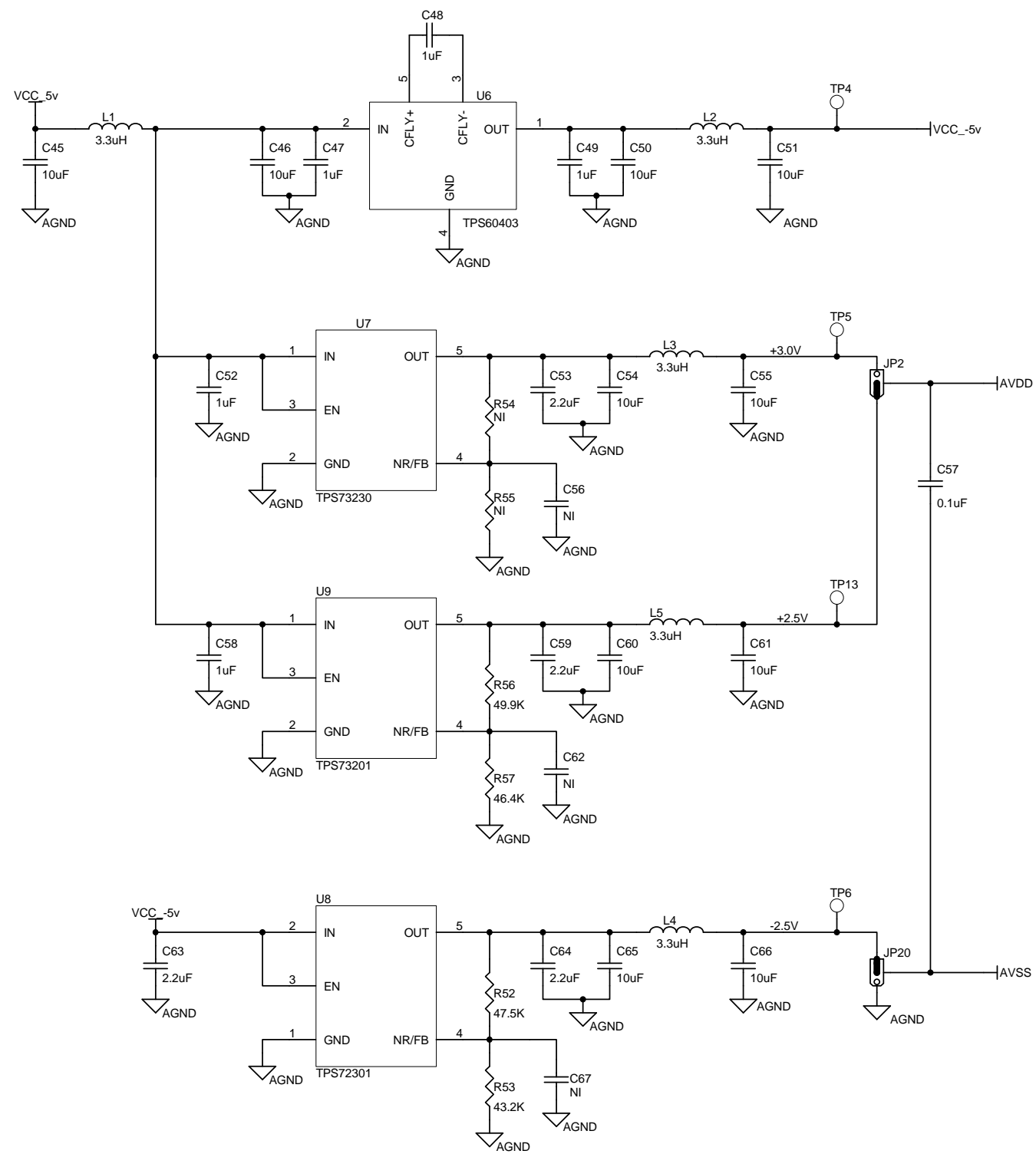
Drawn By: **Tom Hendrick**

FILE:

DATE: 19-Feb-2011

SIZE:

SHEET: 3 OF 5



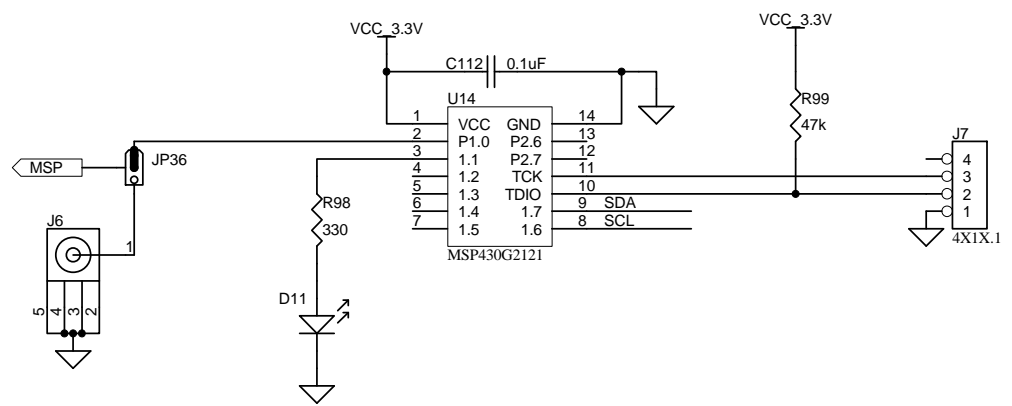
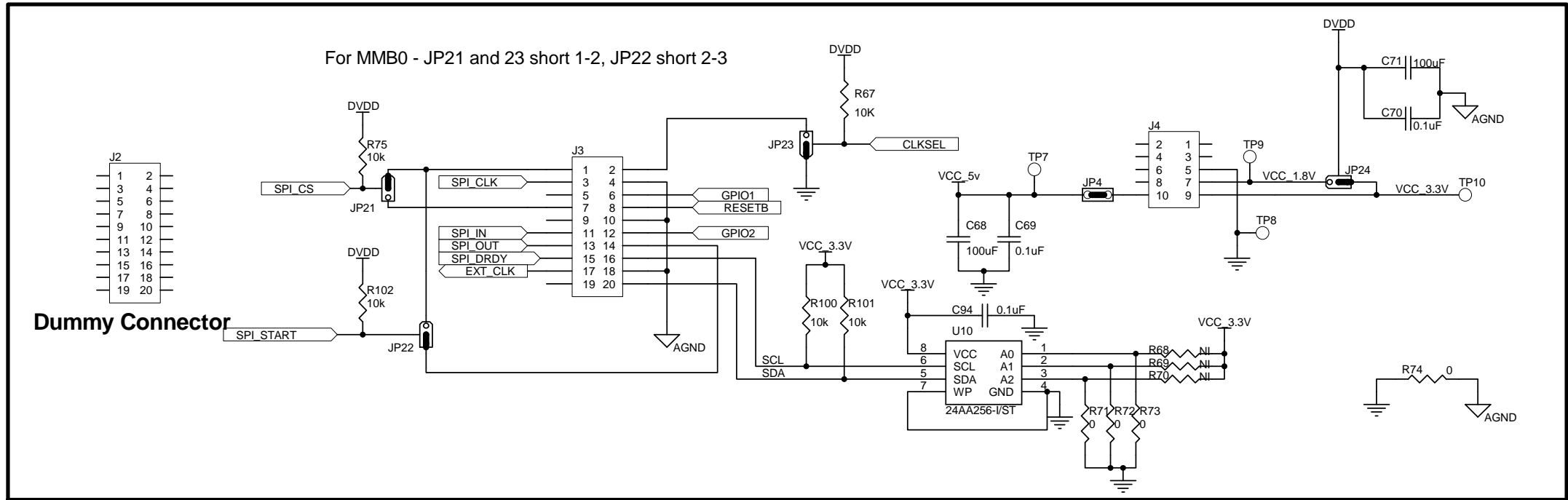
ECG Power Supplies



12500 TI Boulevard, Dallas, Texas 75243

Title: **ADS1298R ECG FE**

Engineer: Tom Hendrick	DOCUMENT CONTROL # 6522881	REV: B
Drawn By: Tom Hendrick	DATE: 19-Feb-2011	SIZE: SHEET: 4 OF 5



12500 TI Boulevard, Dallas, Texas 75243

Title: **ADS1298R ECG FE**

Engineer: **Tom Hendrick**

Drawn By: **Tom Hendrick**

FILE:

DOCUMENT CONTROL #

6522881

DATE: 19-Feb-2011

SIZE:

SHEET: 5

OF: 5

REV: **B**

STANDARD TERMS AND CONDITIONS FOR EVALUATION MODULES

1. *Delivery:* TI delivers TI evaluation boards, kits, or modules, including any accompanying demonstration software, components, or documentation (collectively, an "EVM" or "EVMs") to the User ("User") in accordance with the terms and conditions set forth herein. Acceptance of the EVM is expressly subject to the following terms and conditions.
 - 1.1 EVMs are intended solely for product or software developers for use in a research and development setting to facilitate feasibility evaluation, experimentation, or scientific analysis of TI semiconductor products. EVMs have no direct function and are not finished products. EVMs shall not be directly or indirectly assembled as a part or subassembly in any finished product. For clarification, any software or software tools provided with the EVM ("Software") shall not be subject to the terms and conditions set forth herein but rather shall be subject to the applicable terms and conditions that accompany such Software
 - 1.2 EVMs are not intended for consumer or household use. EVMs may not be sold, sublicensed, leased, rented, loaned, assigned, or otherwise distributed for commercial purposes by Users, in whole or in part, or used in any finished product or production system.
2. *Limited Warranty and Related Remedies/Disclaimers:*
 - 2.1 These terms and conditions do not apply to Software. The warranty, if any, for Software is covered in the applicable Software License Agreement.
 - 2.2 TI warrants that the TI EVM will conform to TI's published specifications for ninety (90) days after the date TI delivers such EVM to User. Notwithstanding the foregoing, TI shall not be liable for any defects that are caused by neglect, misuse or mistreatment by an entity other than TI, including improper installation or testing, or for any EVMs that have been altered or modified in any way by an entity other than TI. Moreover, TI shall not be liable for any defects that result from User's design, specifications or instructions for such EVMs. Testing and other quality control techniques are used to the extent TI deems necessary or as mandated by government requirements. TI does not test all parameters of each EVM.
 - 2.3 If any EVM fails to conform to the warranty set forth above, TI's sole liability shall be at its option to repair or replace such EVM, or credit User's account for such EVM. TI's liability under this warranty shall be limited to EVMs that are returned during the warranty period to the address designated by TI and that are determined by TI not to conform to such warranty. If TI elects to repair or replace such EVM, TI shall have a reasonable time to repair such EVM or provide replacements. Repaired EVMs shall be warranted for the remainder of the original warranty period. Replaced EVMs shall be warranted for a new full ninety (90) day warranty period.
3. *Regulatory Notices:*
 - 3.1 *United States*
 - 3.1.1 *Notice applicable to EVMs not FCC-Approved:*

This kit is designed to allow product developers to evaluate electronic components, circuitry, or software associated with the kit to determine whether to incorporate such items in a finished product and software developers to write software applications for use with the end product. This kit is not a finished product and when assembled may not be resold or otherwise marketed unless all required FCC equipment authorizations are first obtained. Operation is subject to the condition that this product not cause harmful interference to licensed radio stations and that this product accept harmful interference. Unless the assembled kit is designed to operate under part 15, part 18 or part 95 of this chapter, the operator of the kit must operate under the authority of an FCC license holder or must secure an experimental authorization under part 5 of this chapter.
 - 3.1.2 *For EVMs annotated as FCC – FEDERAL COMMUNICATIONS COMMISSION Part 15 Compliant:*

CAUTION

This device complies with part 15 of the FCC Rules. Operation is subject to the following two conditions: (1) This device may not cause harmful interference, and (2) this device must accept any interference received, including interference that may cause undesired operation.

Changes or modifications not expressly approved by the party responsible for compliance could void the user's authority to operate the equipment.

FCC Interference Statement for Class A EVM devices

NOTE: This equipment has been tested and found to comply with the limits for a Class A digital device, pursuant to part 15 of the FCC Rules. These limits are designed to provide reasonable protection against harmful interference when the equipment is operated in a commercial environment. This equipment generates, uses, and can radiate radio frequency energy and, if not installed and used in accordance with the instruction manual, may cause harmful interference to radio communications. Operation of this equipment in a residential area is likely to cause harmful interference in which case the user will be required to correct the interference at his own expense.

FCC Interference Statement for Class B EVM devices

NOTE: This equipment has been tested and found to comply with the limits for a Class B digital device, pursuant to part 15 of the FCC Rules. These limits are designed to provide reasonable protection against harmful interference in a residential installation. This equipment generates, uses and can radiate radio frequency energy and, if not installed and used in accordance with the instructions, may cause harmful interference to radio communications. However, there is no guarantee that interference will not occur in a particular installation. If this equipment does cause harmful interference to radio or television reception, which can be determined by turning the equipment off and on, the user is encouraged to try to correct the interference by one or more of the following measures:

- Reorient or relocate the receiving antenna.
- Increase the separation between the equipment and receiver.
- Connect the equipment into an outlet on a circuit different from that to which the receiver is connected.
- Consult the dealer or an experienced radio/TV technician for help.

3.2 Canada

3.2.1 For EVMs issued with an Industry Canada Certificate of Conformance to RSS-210

Concerning EVMs Including Radio Transmitters:

This device complies with Industry Canada license-exempt RSS standard(s). Operation is subject to the following two conditions: (1) this device may not cause interference, and (2) this device must accept any interference, including interference that may cause undesired operation of the device.

Concernant les EVMs avec appareils radio:

Le présent appareil est conforme aux CNR d'Industrie Canada applicables aux appareils radio exempts de licence. L'exploitation est autorisée aux deux conditions suivantes: (1) l'appareil ne doit pas produire de brouillage, et (2) l'utilisateur de l'appareil doit accepter tout brouillage radioélectrique subi, même si le brouillage est susceptible d'en compromettre le fonctionnement.

Concerning EVMs Including Detachable Antennas:

Under Industry Canada regulations, this radio transmitter may only operate using an antenna of a type and maximum (or lesser) gain approved for the transmitter by Industry Canada. To reduce potential radio interference to other users, the antenna type and its gain should be so chosen that the equivalent isotropically radiated power (e.i.r.p.) is not more than that necessary for successful communication. This radio transmitter has been approved by Industry Canada to operate with the antenna types listed in the user guide with the maximum permissible gain and required antenna impedance for each antenna type indicated. Antenna types not included in this list, having a gain greater than the maximum gain indicated for that type, are strictly prohibited for use with this device.

Concernant les EVMs avec antennes détachables

Conformément à la réglementation d'Industrie Canada, le présent émetteur radio peut fonctionner avec une antenne d'un type et d'un gain maximal (ou inférieur) approuvé pour l'émetteur par Industrie Canada. Dans le but de réduire les risques de brouillage radioélectrique à l'intention des autres utilisateurs, il faut choisir le type d'antenne et son gain de sorte que la puissance isotrope rayonnée équivalente (p.i.r.e.) ne dépasse pas l'intensité nécessaire à l'établissement d'une communication satisfaisante. Le présent émetteur radio a été approuvé par Industrie Canada pour fonctionner avec les types d'antenne énumérés dans le manuel d'usage et ayant un gain admissible maximal et l'impédance requise pour chaque type d'antenne. Les types d'antenne non inclus dans cette liste, ou dont le gain est supérieur au gain maximal indiqué, sont strictement interdits pour l'exploitation de l'émetteur.

3.3 Japan

3.3.1 *Notice for EVMs delivered in Japan:* Please see http://www.tij.co.jp/lstds/ti_ja/general/eStore/notice_01.page 日本国内に輸入される評価用キット、ボードについては、次のところをご覧ください。
http://www.tij.co.jp/lstds/ti_ja/general/eStore/notice_01.page

3.3.2 *Notice for Users of EVMs Considered "Radio Frequency Products" in Japan:* EVMs entering Japan may not be certified by TI as conforming to Technical Regulations of Radio Law of Japan.

If User uses EVMs in Japan, not certified to Technical Regulations of Radio Law of Japan, User is required by Radio Law of Japan to follow the instructions below with respect to EVMs:

1. Use EVMs in a shielded room or any other test facility as defined in the notification #173 issued by Ministry of Internal Affairs and Communications on March 28, 2006, based on Sub-section 1.1 of Article 6 of the Ministry's Rule for Enforcement of Radio Law of Japan,
2. Use EVMs only after User obtains the license of Test Radio Station as provided in Radio Law of Japan with respect to EVMs, or
3. Use of EVMs only after User obtains the Technical Regulations Conformity Certification as provided in Radio Law of Japan with respect to EVMs. Also, do not transfer EVMs, unless User gives the same notice above to the transferee. Please note that if User does not follow the instructions above, User will be subject to penalties of Radio Law of Japan.

【無線電波を送信する製品の開発キットをお使いになる際の注意事項】 開発キットの中には技術基準適合証明を受けていないものがあります。技術適合証明を受けていないものご使用に際しては、電波法遵守のため、以下のいずれかの措置を取っていただく必要がありますのでご注意ください。

1. 電波法施行規則第6条第1項第1号に基づく平成18年3月28日総務省告示第173号で定められた電波暗室等の試験設備でご使用いただく。
2. 実験局の免許を取得後ご使用いただく。
3. 技術基準適合証明を取得後ご使用いただく。

なお、本製品は、上記の「ご使用にあたっての注意」を譲渡先、移転先に通知しない限り、譲渡、移転できないものとします。

上記を遵守頂けない場合は、電波法の罰則が適用される可能性があることをご留意ください。日本テキサス・インスツルメンツ株式会社
東京都新宿区西新宿 6 丁目 2 4 番 1 号
西新宿三井ビル

3.3.3 *Notice for EVMs for Power Line Communication:* Please see http://www.tij.co.jp/llds/ti_ja/general/eStore/notice_02.page
電力線搬送波通信についての開発キットをお使いになる際の注意事項については、次のところをご覧ください。http://www.tij.co.jp/llds/ti_ja/general/eStore/notice_02.page

4 *EVM Use Restrictions and Warnings:*

4.1 EVMS ARE NOT FOR USE IN FUNCTIONAL SAFETY AND/OR SAFETY CRITICAL EVALUATIONS, INCLUDING BUT NOT LIMITED TO EVALUATIONS OF LIFE SUPPORT APPLICATIONS.

4.2 User must read and apply the user guide and other available documentation provided by TI regarding the EVM prior to handling or using the EVM, including without limitation any warning or restriction notices. The notices contain important safety information related to, for example, temperatures and voltages.

4.3 *Safety-Related Warnings and Restrictions:*

4.3.1 User shall operate the EVM within TI's recommended specifications and environmental considerations stated in the user guide, other available documentation provided by TI, and any other applicable requirements and employ reasonable and customary safeguards. Exceeding the specified performance ratings and specifications (including but not limited to input and output voltage, current, power, and environmental ranges) for the EVM may cause personal injury or death, or property damage. If there are questions concerning performance ratings and specifications, User should contact a TI field representative prior to connecting interface electronics including input power and intended loads. Any loads applied outside of the specified output range may also result in unintended and/or inaccurate operation and/or possible permanent damage to the EVM and/or interface electronics. Please consult the EVM user guide prior to connecting any load to the EVM output. If there is uncertainty as to the load specification, please contact a TI field representative. During normal operation, even with the inputs and outputs kept within the specified allowable ranges, some circuit components may have elevated case temperatures. These components include but are not limited to linear regulators, switching transistors, pass transistors, current sense resistors, and heat sinks, which can be identified using the information in the associated documentation. When working with the EVM, please be aware that the EVM may become very warm.

4.3.2 EVMs are intended solely for use by technically qualified, professional electronics experts who are familiar with the dangers and application risks associated with handling electrical mechanical components, systems, and subsystems. User assumes all responsibility and liability for proper and safe handling and use of the EVM by User or its employees, affiliates, contractors or designees. User assumes all responsibility and liability to ensure that any interfaces (electronic and/or mechanical) between the EVM and any human body are designed with suitable isolation and means to safely limit accessible leakage currents to minimize the risk of electrical shock hazard. User assumes all responsibility and liability for any improper or unsafe handling or use of the EVM by User or its employees, affiliates, contractors or designees.

4.4 User assumes all responsibility and liability to determine whether the EVM is subject to any applicable international, federal, state, or local laws and regulations related to User's handling and use of the EVM and, if applicable, User assumes all responsibility and liability for compliance in all respects with such laws and regulations. User assumes all responsibility and liability for proper disposal and recycling of the EVM consistent with all applicable international, federal, state, and local requirements.

5. *Accuracy of Information:* To the extent TI provides information on the availability and function of EVMs, TI attempts to be as accurate as possible. However, TI does not warrant the accuracy of EVM descriptions, EVM availability or other information on its websites as accurate, complete, reliable, current, or error-free.

6. *Disclaimers:*
- 6.1 EXCEPT AS SET FORTH ABOVE, EVMS AND ANY WRITTEN DESIGN MATERIALS PROVIDED WITH THE EVM (AND THE DESIGN OF THE EVM ITSELF) ARE PROVIDED "AS IS" AND "WITH ALL FAULTS." TI DISCLAIMS ALL OTHER WARRANTIES, EXPRESS OR IMPLIED, REGARDING SUCH ITEMS, INCLUDING BUT NOT LIMITED TO ANY IMPLIED WARRANTIES OF MERCHANTABILITY OR FITNESS FOR A PARTICULAR PURPOSE OR NON-INFRINGEMENT OF ANY THIRD PARTY PATENTS, COPYRIGHTS, TRADE SECRETS OR OTHER INTELLECTUAL PROPERTY RIGHTS.
- 6.2 EXCEPT FOR THE LIMITED RIGHT TO USE THE EVM SET FORTH HEREIN, NOTHING IN THESE TERMS AND CONDITIONS SHALL BE CONSTRUED AS GRANTING OR CONFERRING ANY RIGHTS BY LICENSE, PATENT, OR ANY OTHER INDUSTRIAL OR INTELLECTUAL PROPERTY RIGHT OF TI, ITS SUPPLIERS/LICENSORS OR ANY OTHER THIRD PARTY, TO USE THE EVM IN ANY FINISHED END-USER OR READY-TO-USE FINAL PRODUCT, OR FOR ANY INVENTION, DISCOVERY OR IMPROVEMENT MADE, CONCEIVED OR ACQUIRED PRIOR TO OR AFTER DELIVERY OF THE EVM.
7. *USER'S INDEMNITY OBLIGATIONS AND REPRESENTATIONS.* USER WILL DEFEND, INDEMNIFY AND HOLD TI, ITS LICENSORS AND THEIR REPRESENTATIVES HARMLESS FROM AND AGAINST ANY AND ALL CLAIMS, DAMAGES, LOSSES, EXPENSES, COSTS AND LIABILITIES (COLLECTIVELY, "CLAIMS") ARISING OUT OF OR IN CONNECTION WITH ANY HANDLING OR USE OF THE EVM THAT IS NOT IN ACCORDANCE WITH THESE TERMS AND CONDITIONS. THIS OBLIGATION SHALL APPLY WHETHER CLAIMS ARISE UNDER STATUTE, REGULATION, OR THE LAW OF TORT, CONTRACT OR ANY OTHER LEGAL THEORY, AND EVEN IF THE EVM FAILS TO PERFORM AS DESCRIBED OR EXPECTED.
8. *Limitations on Damages and Liability:*
- 8.1 *General Limitations.* IN NO EVENT SHALL TI BE LIABLE FOR ANY SPECIAL, COLLATERAL, INDIRECT, PUNITIVE, INCIDENTAL, CONSEQUENTIAL, OR EXEMPLARY DAMAGES IN CONNECTION WITH OR ARISING OUT OF THESE TERMS AND CONDITIONS OR THE USE OF THE EVMS PROVIDED HEREUNDER, REGARDLESS OF WHETHER TI HAS BEEN ADVISED OF THE POSSIBILITY OF SUCH DAMAGES. EXCLUDED DAMAGES INCLUDE, BUT ARE NOT LIMITED TO, COST OF REMOVAL OR REINSTALLATION, ANCILLARY COSTS TO THE PROCUREMENT OF SUBSTITUTE GOODS OR SERVICES, RETESTING, OUTSIDE COMPUTER TIME, LABOR COSTS, LOSS OF GOODWILL, LOSS OF PROFITS, LOSS OF SAVINGS, LOSS OF USE, LOSS OF DATA, OR BUSINESS INTERRUPTION. NO CLAIM, SUIT OR ACTION SHALL BE BROUGHT AGAINST TI MORE THAN ONE YEAR AFTER THE RELATED CAUSE OF ACTION HAS OCCURRED.
- 8.2 *Specific Limitations.* IN NO EVENT SHALL TI'S AGGREGATE LIABILITY FROM ANY WARRANTY OR OTHER OBLIGATION ARISING OUT OF OR IN CONNECTION WITH THESE TERMS AND CONDITIONS, OR ANY USE OF ANY TI EVM PROVIDED HEREUNDER, EXCEED THE TOTAL AMOUNT PAID TO TI FOR THE PARTICULAR UNITS SOLD UNDER THESE TERMS AND CONDITIONS WITH RESPECT TO WHICH LOSSES OR DAMAGES ARE CLAIMED. THE EXISTENCE OF MORE THAN ONE CLAIM AGAINST THE PARTICULAR UNITS SOLD TO USER UNDER THESE TERMS AND CONDITIONS SHALL NOT ENLARGE OR EXTEND THIS LIMIT.
9. *Return Policy.* Except as otherwise provided, TI does not offer any refunds, returns, or exchanges. Furthermore, no return of EVM(s) will be accepted if the package has been opened and no return of the EVM(s) will be accepted if they are damaged or otherwise not in a resalable condition. If User feels it has been incorrectly charged for the EVM(s) it ordered or that delivery violates the applicable order, User should contact TI. All refunds will be made in full within thirty (30) working days from the return of the components(s), excluding any postage or packaging costs.
10. *Governing Law:* These terms and conditions shall be governed by and interpreted in accordance with the laws of the State of Texas, without reference to conflict-of-laws principles. User agrees that non-exclusive jurisdiction for any dispute arising out of or relating to these terms and conditions lies within courts located in the State of Texas and consents to venue in Dallas County, Texas. Notwithstanding the foregoing, any judgment may be enforced in any United States or foreign court, and TI may seek injunctive relief in any United States or foreign court.

Mailing Address: Texas Instruments, Post Office Box 655303, Dallas, Texas 75265
Copyright © 2015, Texas Instruments Incorporated

IMPORTANT NOTICE

Texas Instruments Incorporated and its subsidiaries (TI) reserve the right to make corrections, enhancements, improvements and other changes to its semiconductor products and services per JESD46, latest issue, and to discontinue any product or service per JESD48, latest issue. Buyers should obtain the latest relevant information before placing orders and should verify that such information is current and complete. All semiconductor products (also referred to herein as "components") are sold subject to TI's terms and conditions of sale supplied at the time of order acknowledgment.

TI warrants performance of its components to the specifications applicable at the time of sale, in accordance with the warranty in TI's terms and conditions of sale of semiconductor products. Testing and other quality control techniques are used to the extent TI deems necessary to support this warranty. Except where mandated by applicable law, testing of all parameters of each component is not necessarily performed.

TI assumes no liability for applications assistance or the design of Buyers' products. Buyers are responsible for their products and applications using TI components. To minimize the risks associated with Buyers' products and applications, Buyers should provide adequate design and operating safeguards.

TI does not warrant or represent that any license, either express or implied, is granted under any patent right, copyright, mask work right, or other intellectual property right relating to any combination, machine, or process in which TI components or services are used. Information published by TI regarding third-party products or services does not constitute a license to use such products or services or a warranty or endorsement thereof. Use of such information may require a license from a third party under the patents or other intellectual property of the third party, or a license from TI under the patents or other intellectual property of TI.

Reproduction of significant portions of TI information in TI data books or data sheets is permissible only if reproduction is without alteration and is accompanied by all associated warranties, conditions, limitations, and notices. TI is not responsible or liable for such altered documentation. Information of third parties may be subject to additional restrictions.

Resale of TI components or services with statements different from or beyond the parameters stated by TI for that component or service voids all express and any implied warranties for the associated TI component or service and is an unfair and deceptive business practice. TI is not responsible or liable for any such statements.

Buyer acknowledges and agrees that it is solely responsible for compliance with all legal, regulatory and safety-related requirements concerning its products, and any use of TI components in its applications, notwithstanding any applications-related information or support that may be provided by TI. Buyer represents and agrees that it has all the necessary expertise to create and implement safeguards which anticipate dangerous consequences of failures, monitor failures and their consequences, lessen the likelihood of failures that might cause harm and take appropriate remedial actions. Buyer will fully indemnify TI and its representatives against any damages arising out of the use of any TI components in safety-critical applications.

In some cases, TI components may be promoted specifically to facilitate safety-related applications. With such components, TI's goal is to help enable customers to design and create their own end-product solutions that meet applicable functional safety standards and requirements. Nonetheless, such components are subject to these terms.

No TI components are authorized for use in FDA Class III (or similar life-critical medical equipment) unless authorized officers of the parties have executed a special agreement specifically governing such use.

Only those TI components which TI has specifically designated as military grade or "enhanced plastic" are designed and intended for use in military/aerospace applications or environments. Buyer acknowledges and agrees that any military or aerospace use of TI components which have **not** been so designated is solely at the Buyer's risk, and that Buyer is solely responsible for compliance with all legal and regulatory requirements in connection with such use.

TI has specifically designated certain components as meeting ISO/TS16949 requirements, mainly for automotive use. In any case of use of non-designated products, TI will not be responsible for any failure to meet ISO/TS16949.

Products

Audio	www.ti.com/audio
Amplifiers	amplifier.ti.com
Data Converters	dataconverter.ti.com
DLP® Products	www.dlp.com
DSP	dsp.ti.com
Clocks and Timers	www.ti.com/clocks
Interface	interface.ti.com
Logic	logic.ti.com
Power Mgmt	power.ti.com
Microcontrollers	microcontroller.ti.com
RFID	www.ti-rfid.com
OMAP Applications Processors	www.ti.com/omap
Wireless Connectivity	www.ti.com/wirelessconnectivity

Applications

Automotive and Transportation	www.ti.com/automotive
Communications and Telecom	www.ti.com/communications
Computers and Peripherals	www.ti.com/computers
Consumer Electronics	www.ti.com/consumer-apps
Energy and Lighting	www.ti.com/energy
Industrial	www.ti.com/industrial
Medical	www.ti.com/medical
Security	www.ti.com/security
Space, Avionics and Defense	www.ti.com/space-avionics-defense
Video and Imaging	www.ti.com/video

TI E2E Community

e2e.ti.com