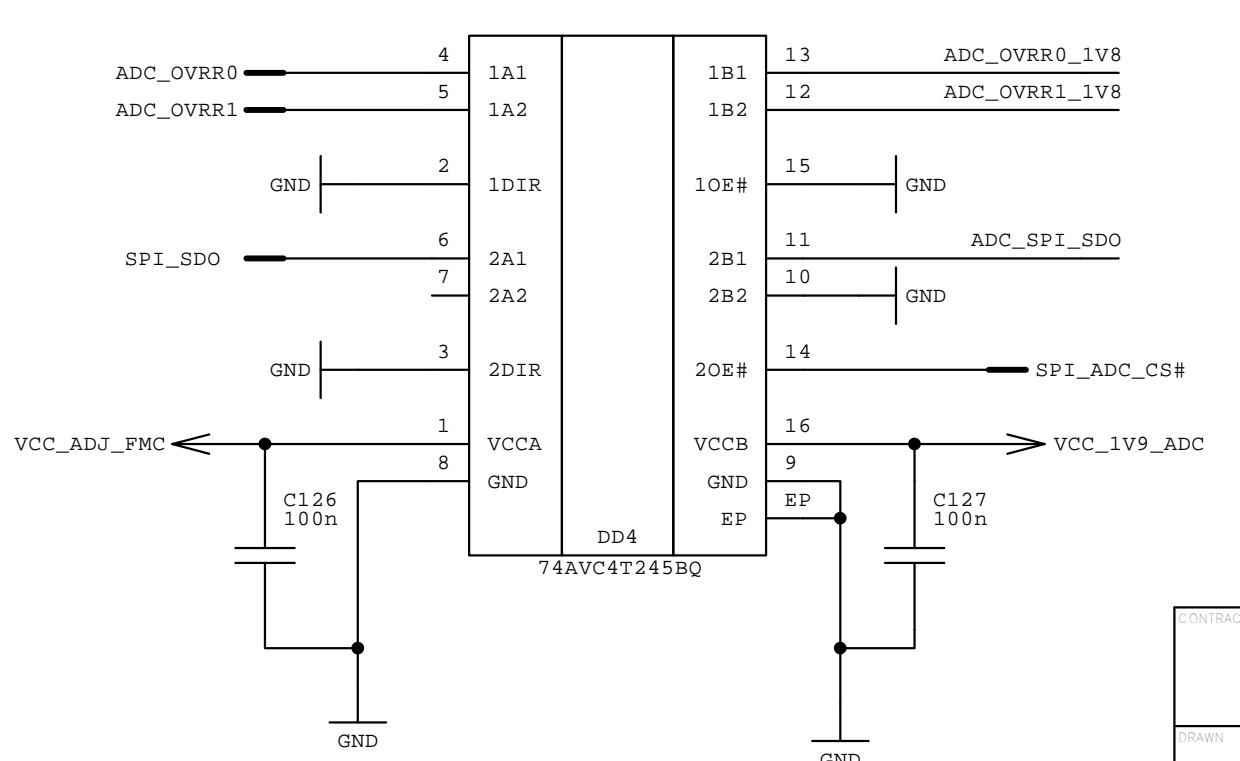
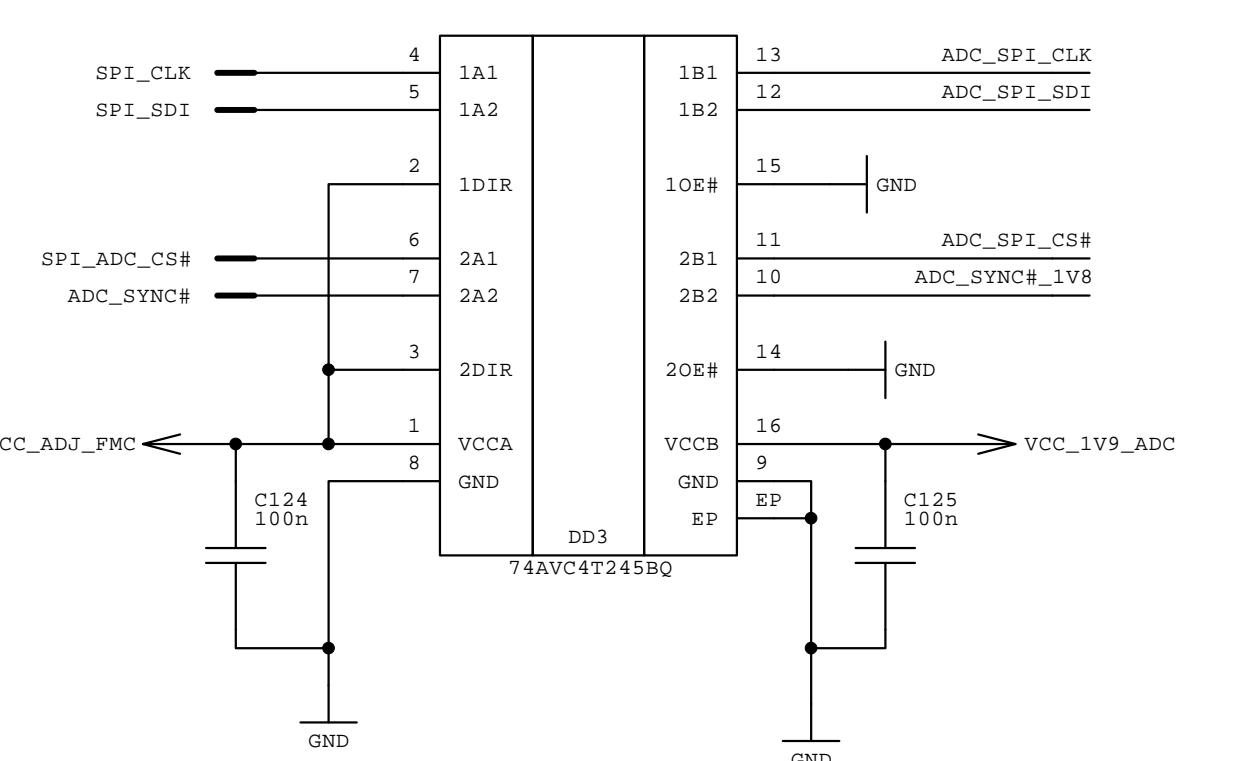
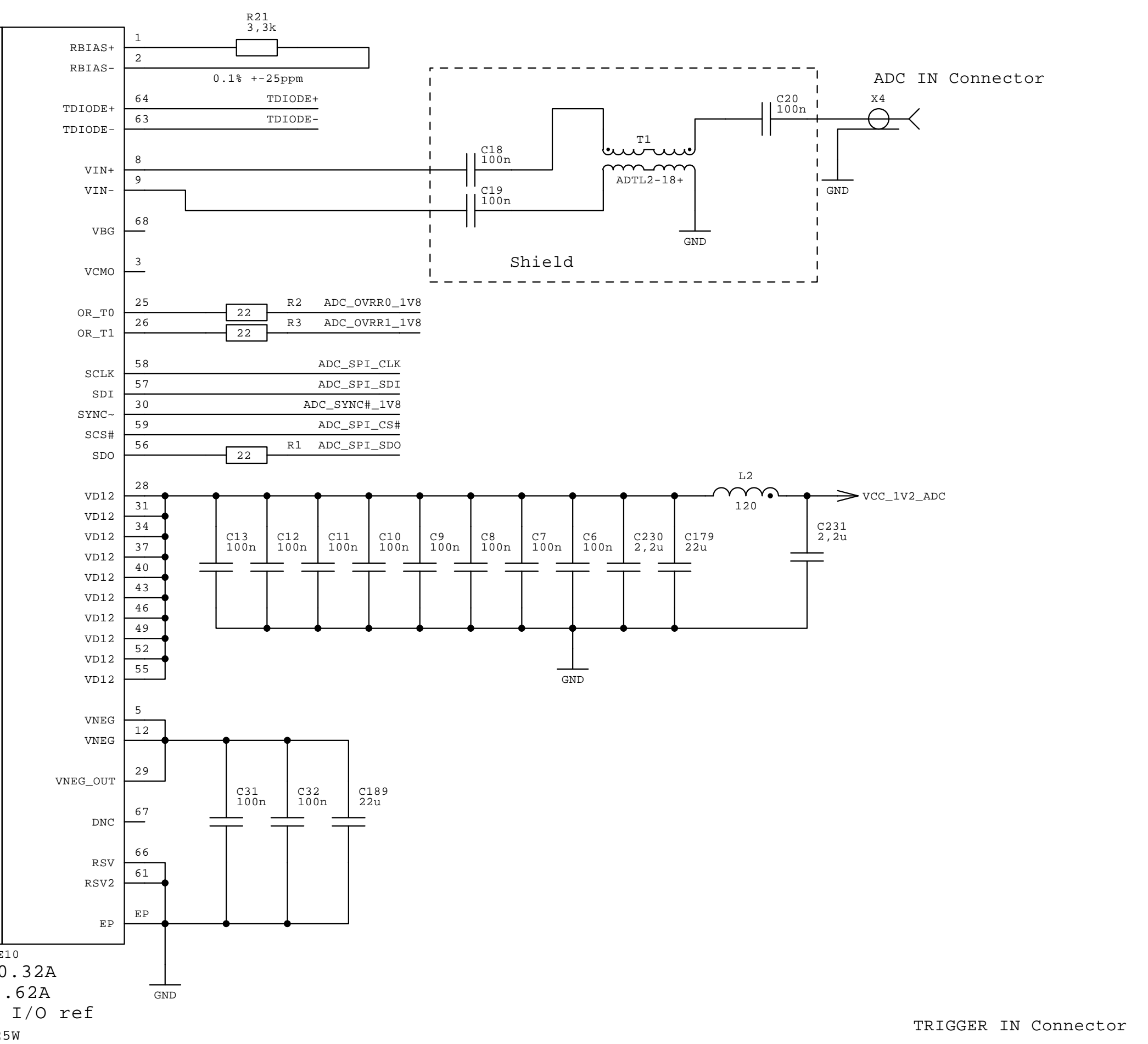
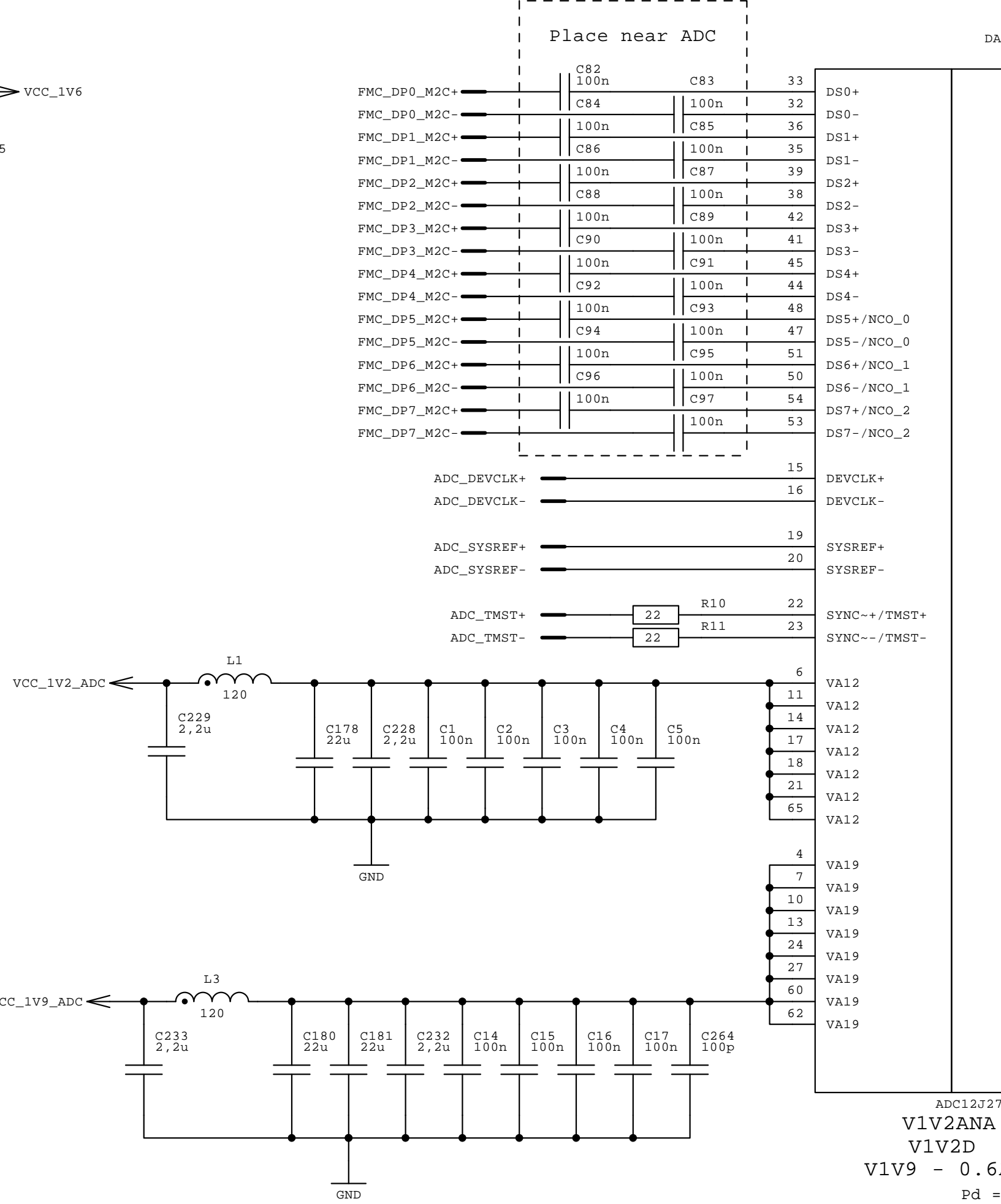
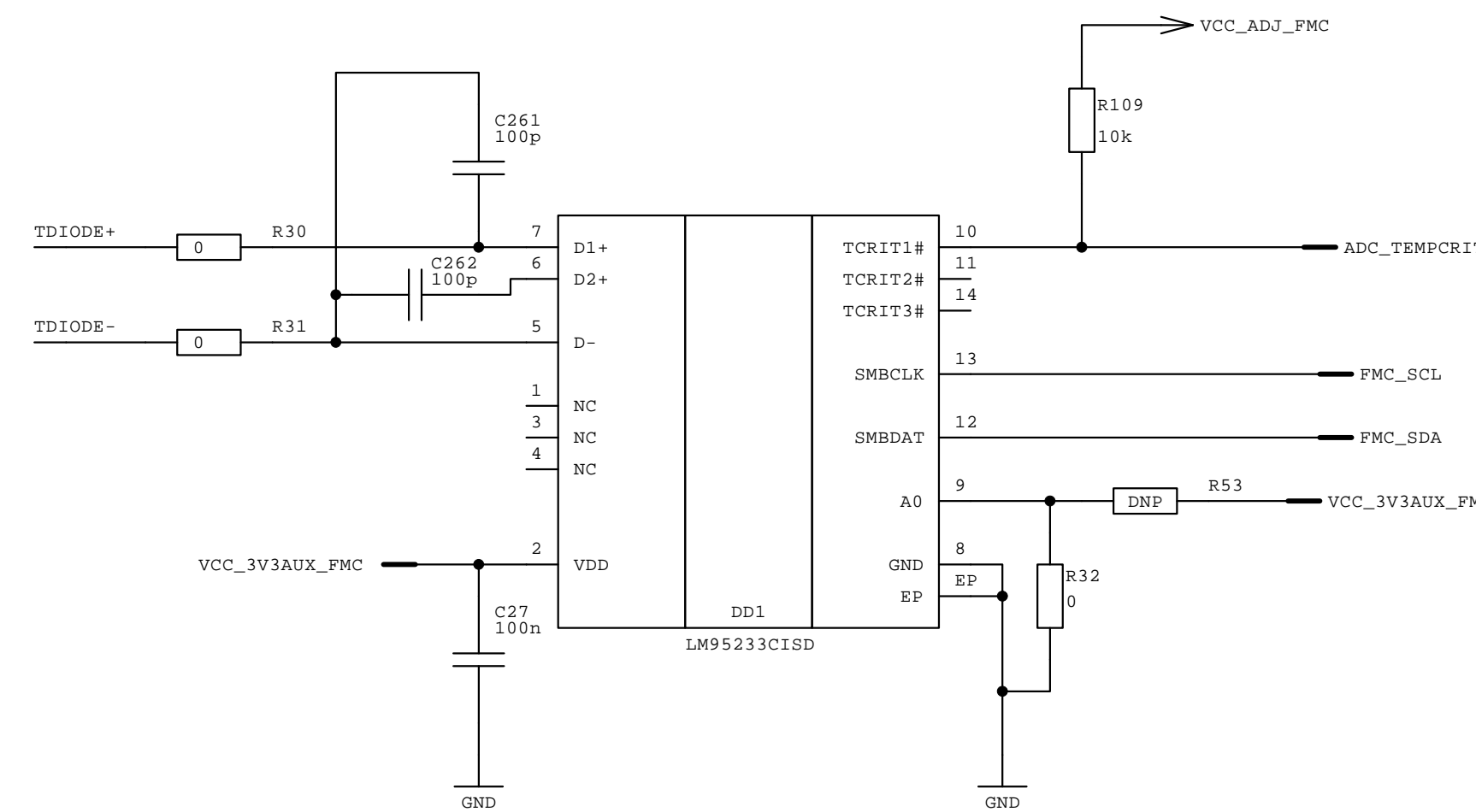
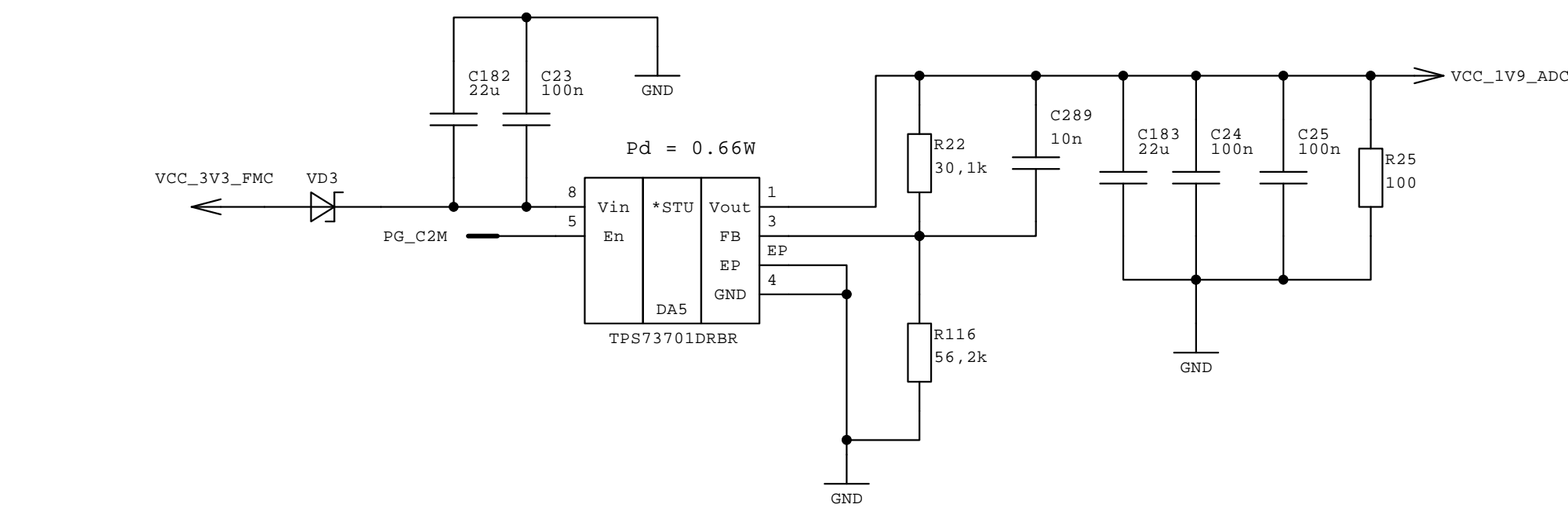
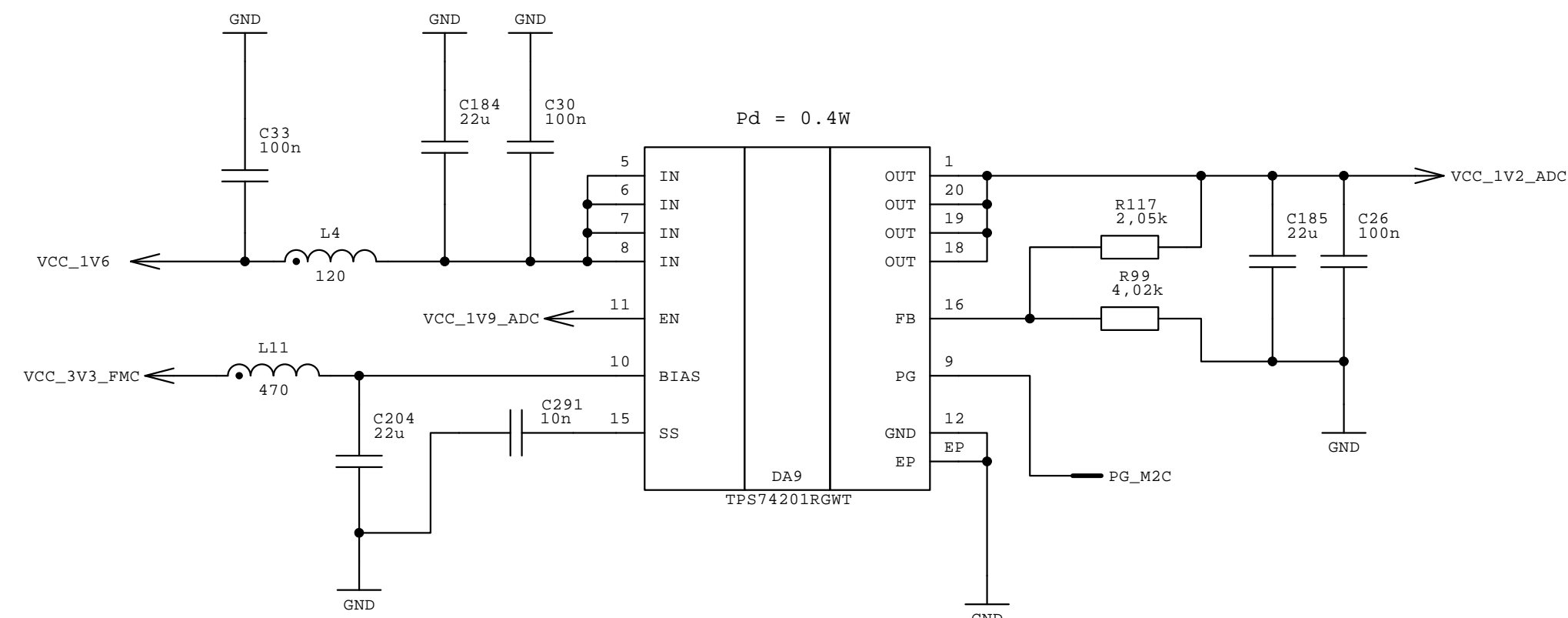
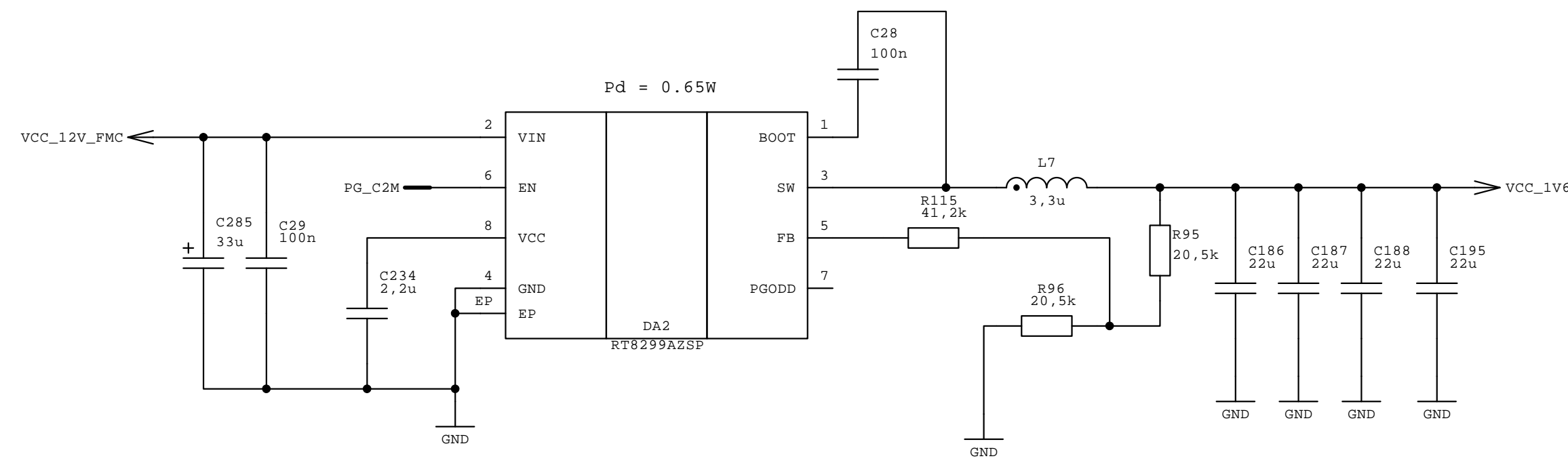


Supplied in confidence under NDA

ADC Part



DRAWN BY:		Sundance Digital Signal Processing inc.	
DATE:		2016	
TITLE:		FMC-DAQ2p5 board Schematic diagramm	
DESIGNER:			
CHECKER:			
DATE:			
SCALE:		SHEET OF	