

CLOCK INPUT
CDCE62005
PAGE 4

DACCLK


DAC
DAC31X4
PAGE 2

INTERFACE
PAGE 5

POWER
TPS2400
TPS74201
PAGE 7

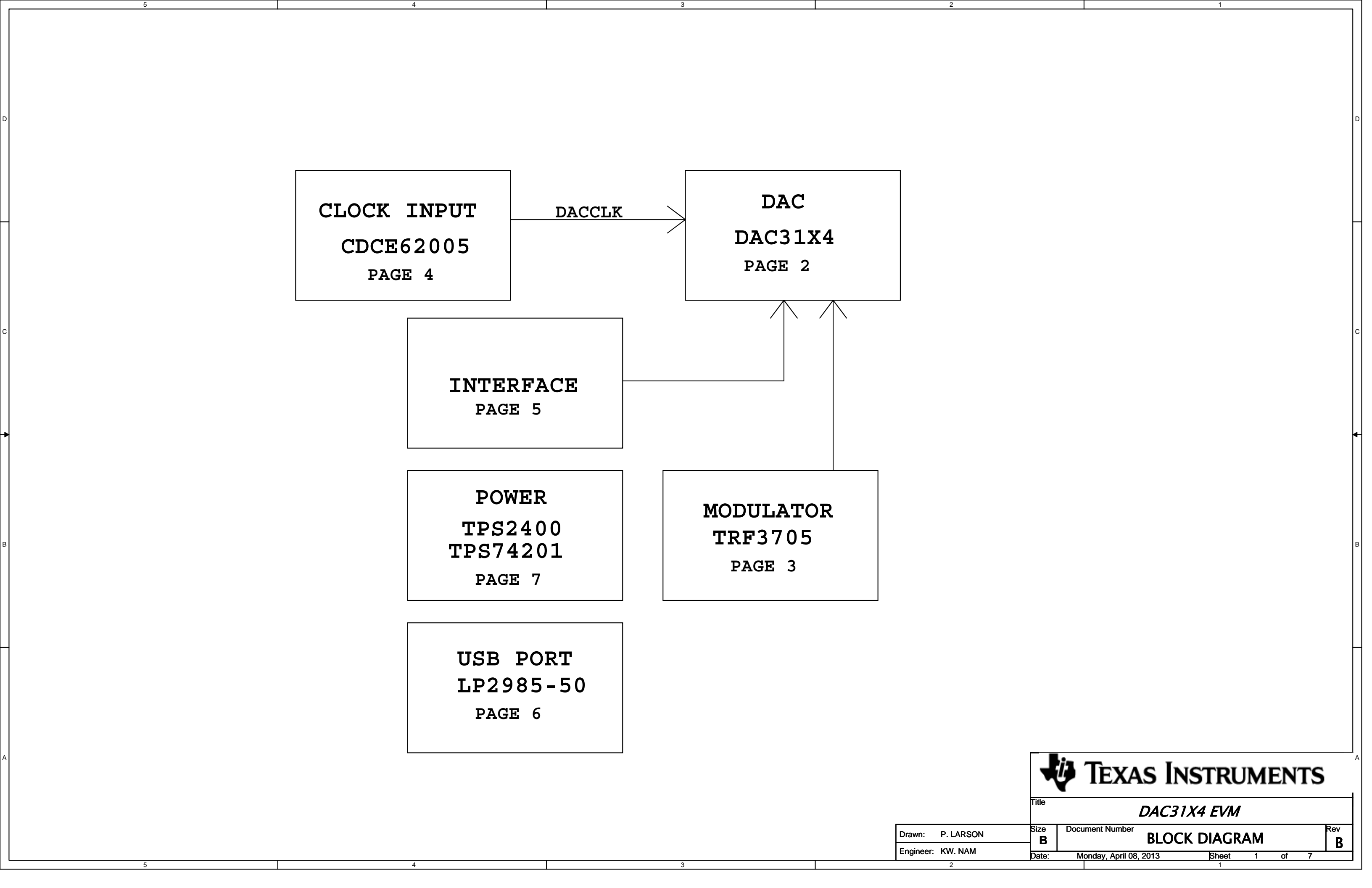
MODULATOR
TRF3705
PAGE 3

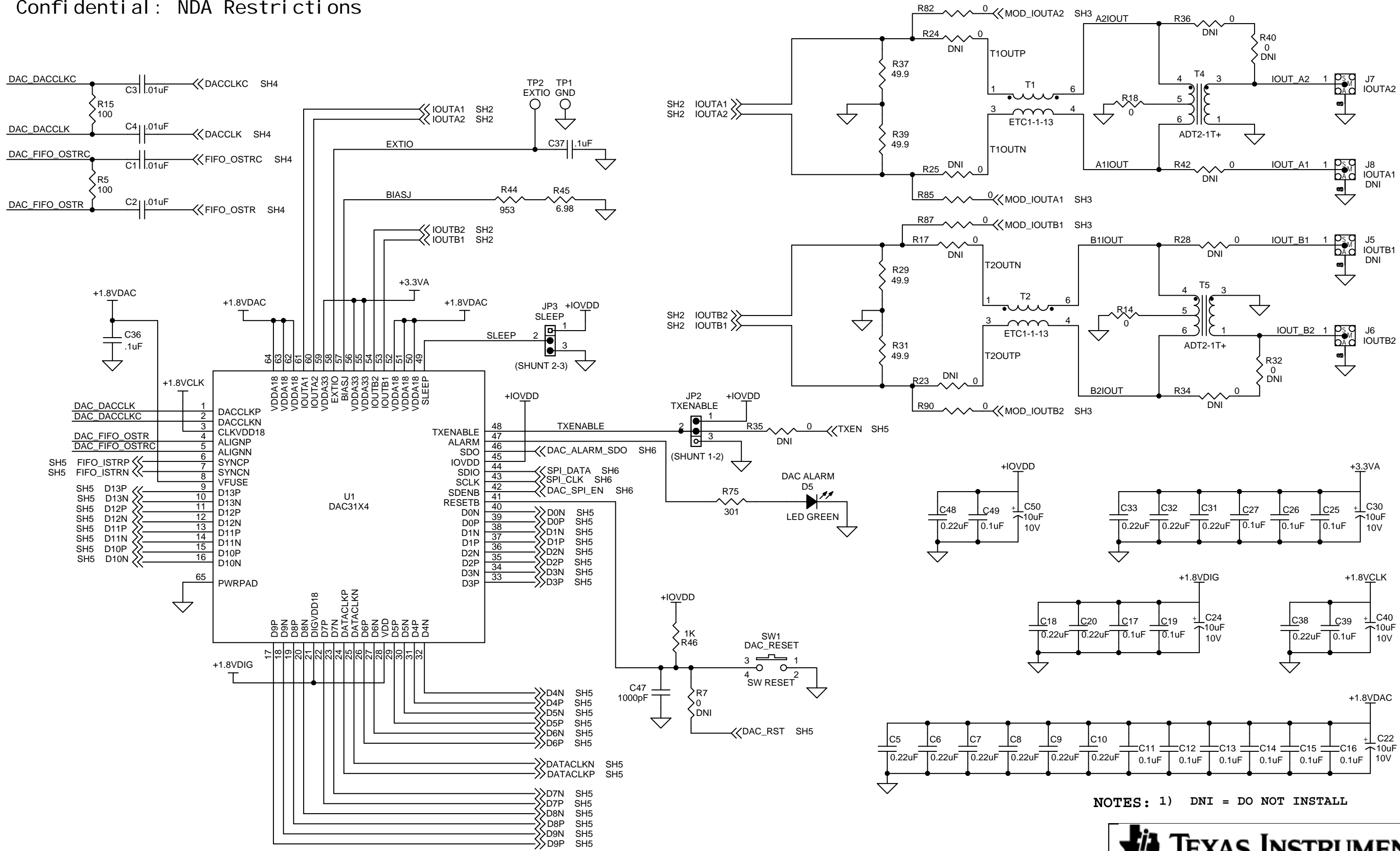
USB PORT
LP2985-50
PAGE 6

 **TEXAS INSTRUMENTS**

Title		
<i>DAC31X4 EVM</i>		
Size	Document Number	Rev
B	BLOCK DIAGRAM	B
Date:	Monday, April 08, 2013	Sheet 1 of 7

Drawn: P. LARSON
Engineer: KW. NAM



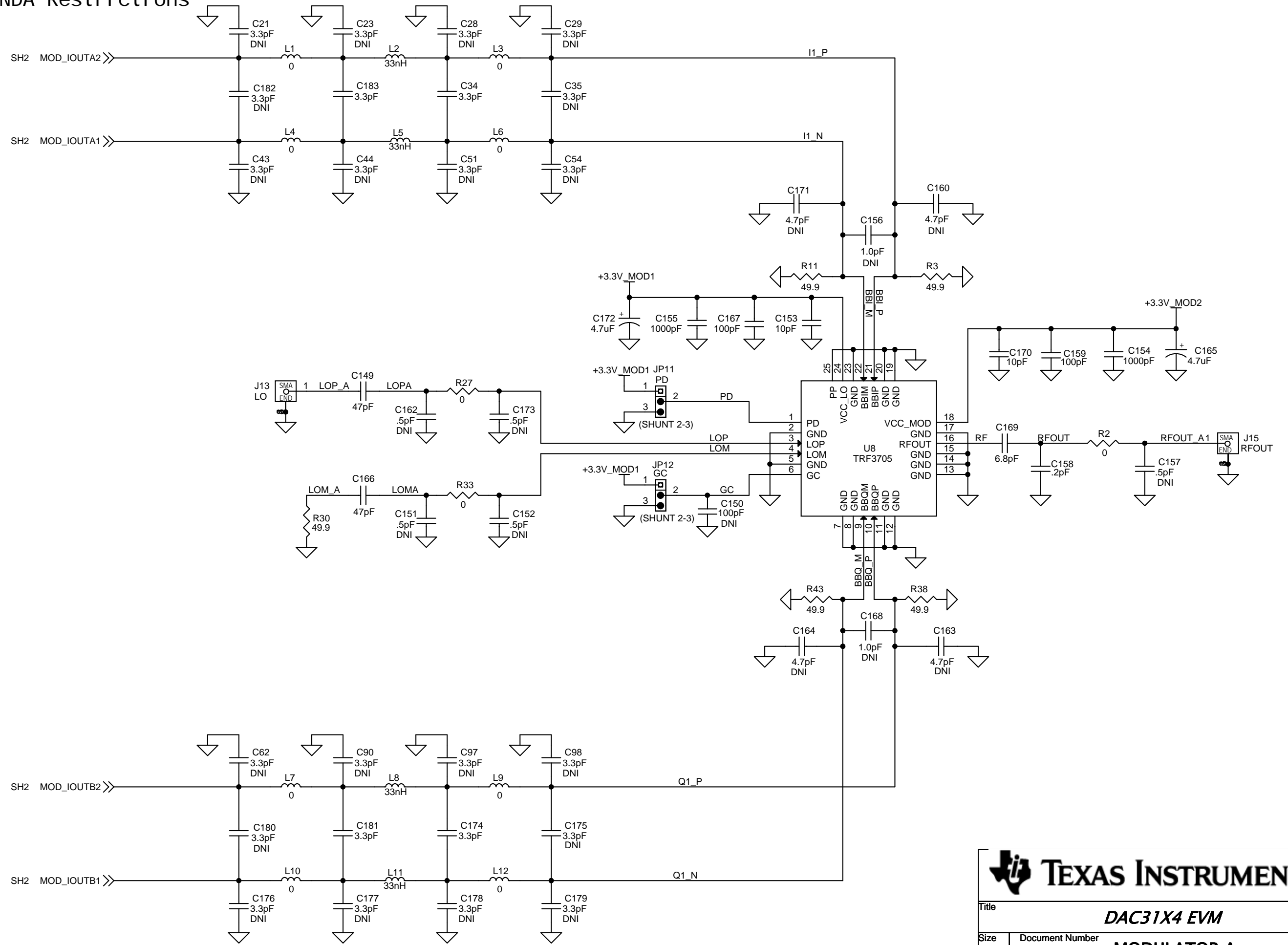


NOTES: 1) DNI = DO NOT INSTALL

TEXAS INSTRUMENTS

Title: **DAC31X4 EVM**

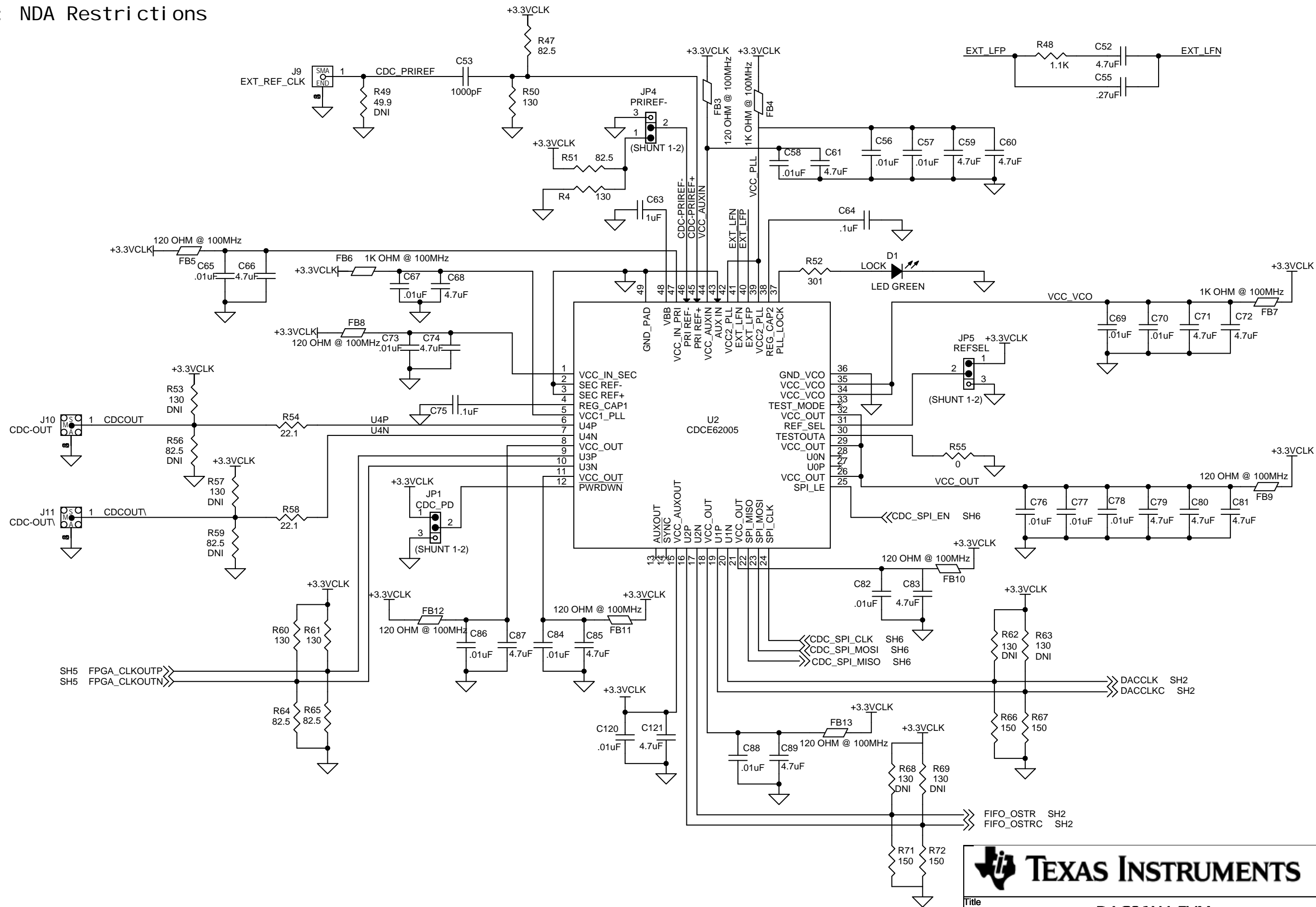
Size: B	Document Number: DAC31X4	Rev: B
Date: Monday, April 08, 2013	Sheet: 2 of 7	



TEXAS INSTRUMENTS

Title: **DAC31X4 EVM**

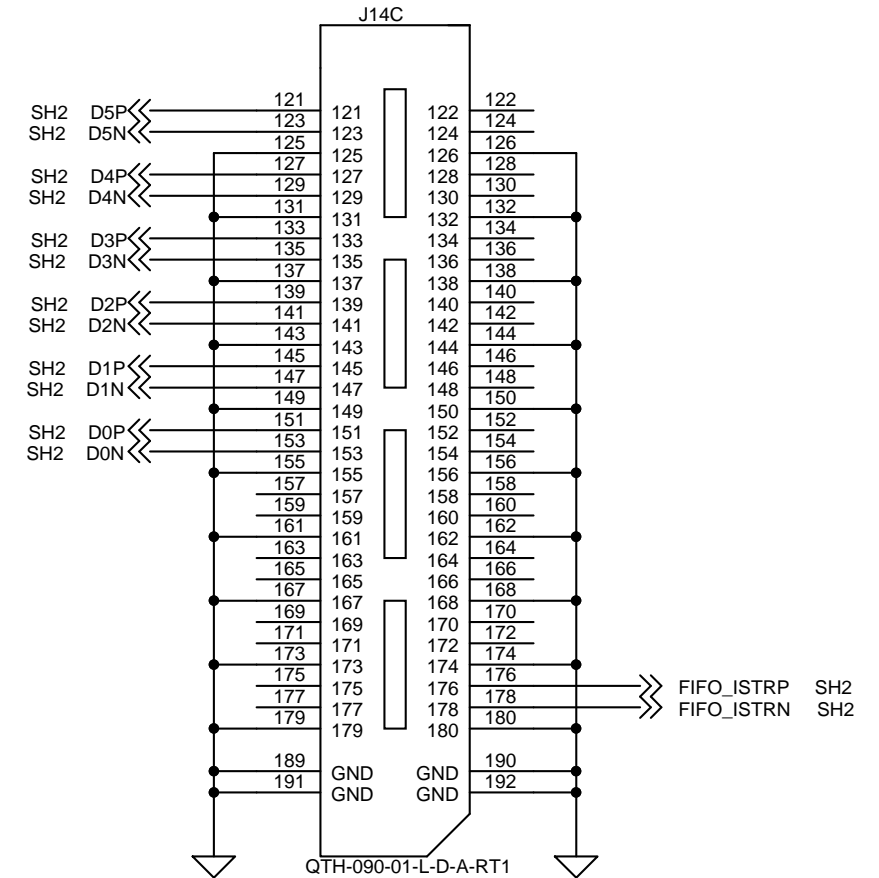
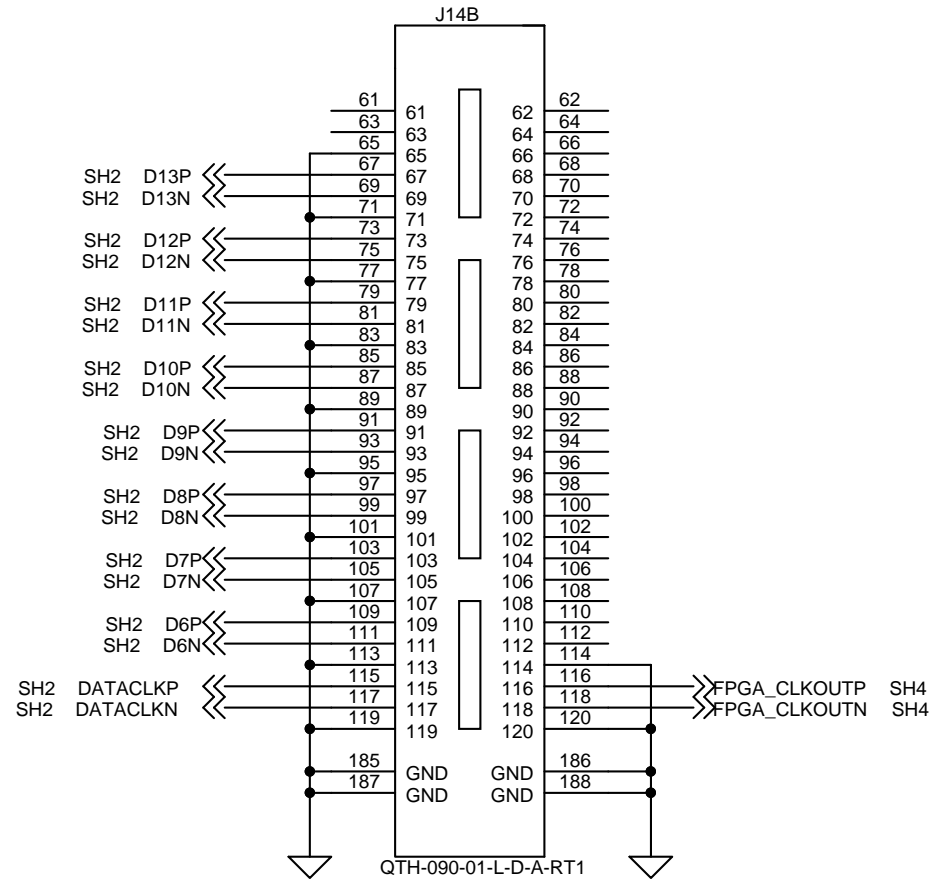
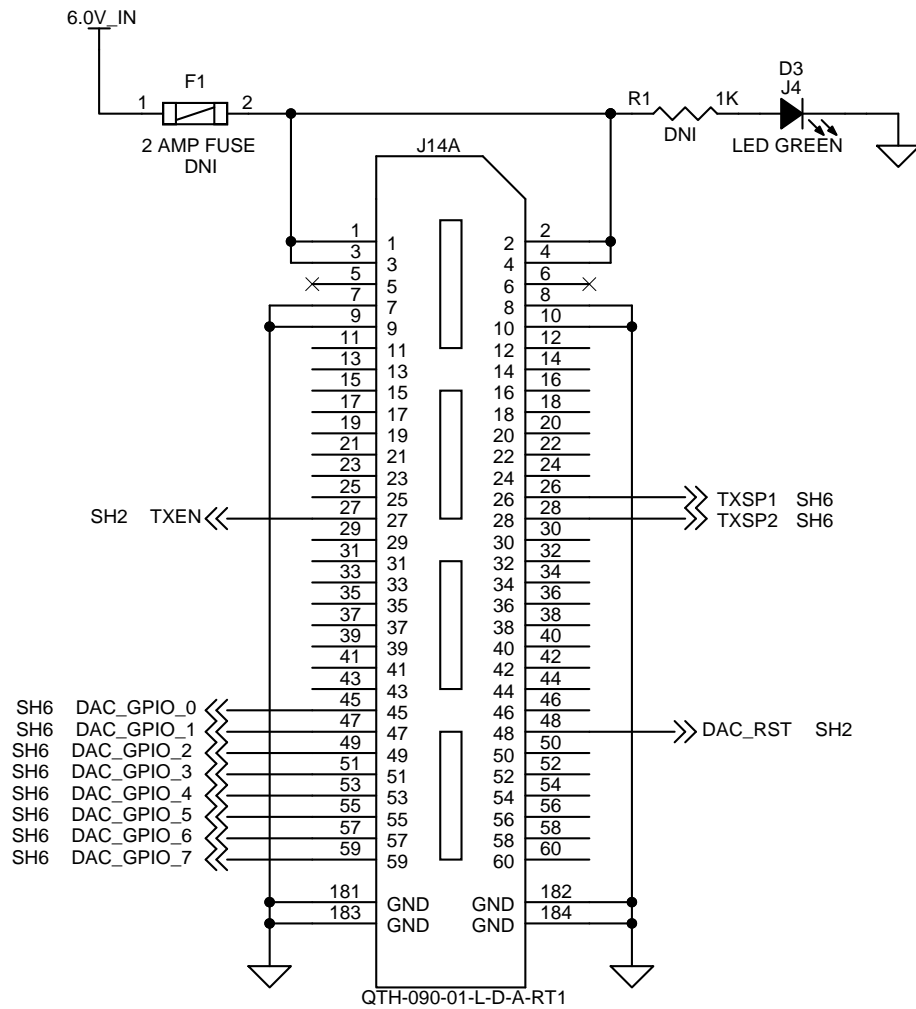
Size B	Document Number	MODULATOR A	Rev A
Date: Monday, April 08, 2013	Sheet	3 of 7	



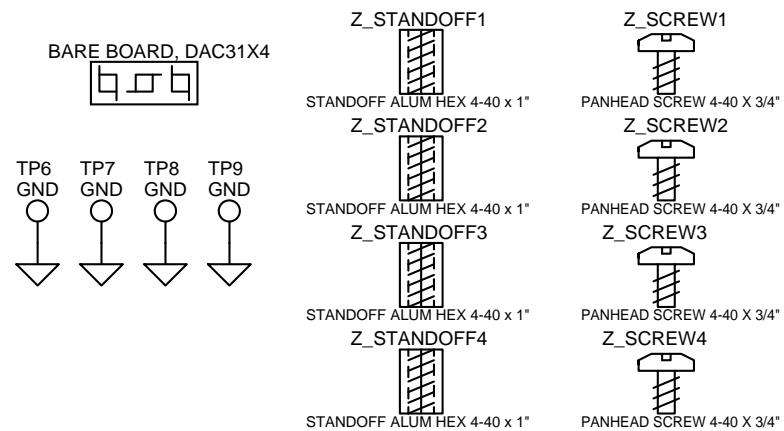
TEXAS INSTRUMENTS

Title: **DAC31X4 EVM**

Size: B	Document Number: CDC	Rev: B
Date: Monday, April 08, 2013	Sheet: 4	of 7



MECHANICAL PARTS



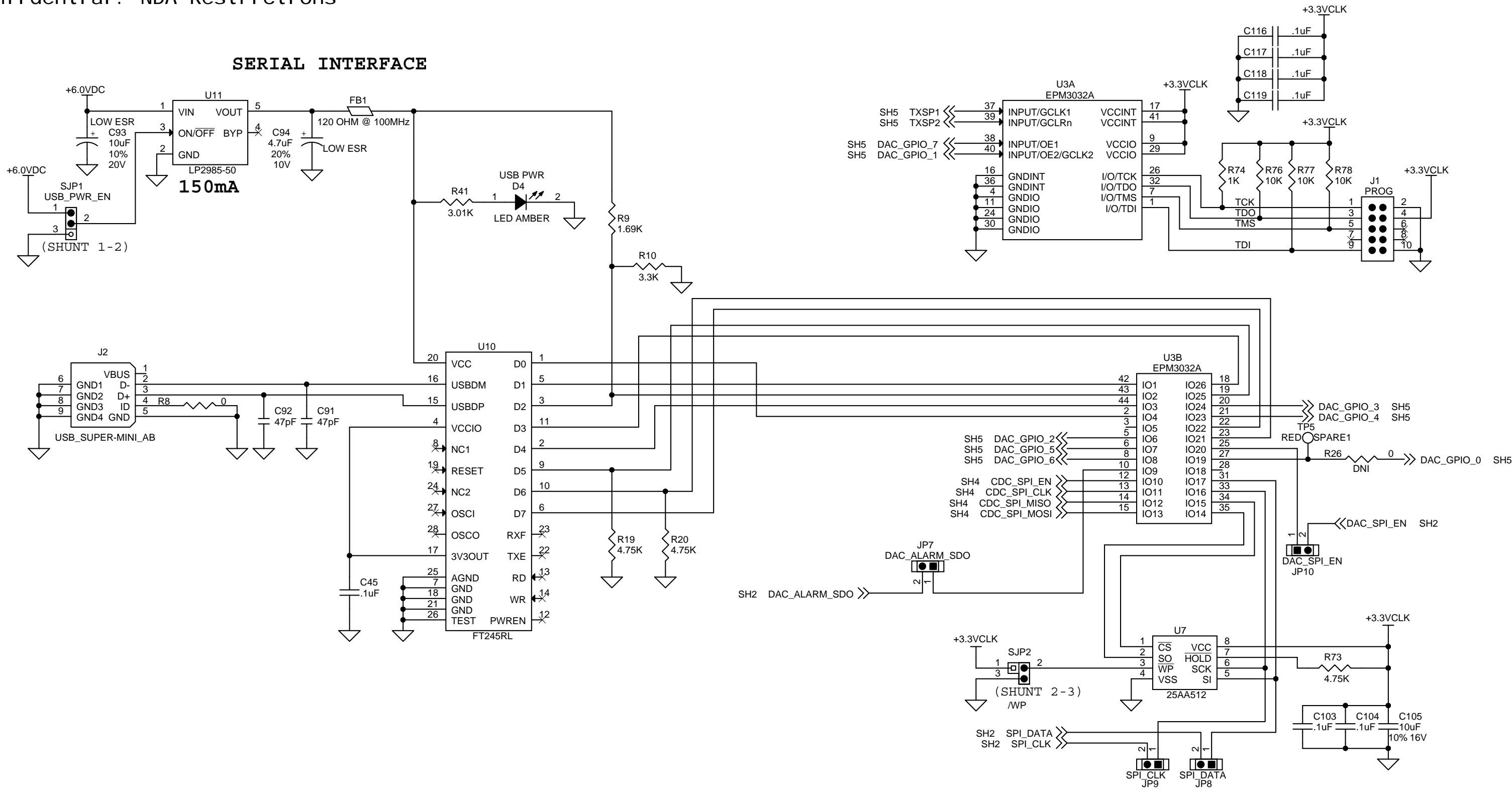
TEXAS INSTRUMENTS

Title: **DAC31X4 EVM**

Size: **B** | Document Number: **INTERFACE** | Rev: **B**

Date: **Monday, April 08, 2013** | Sheet: **5** of **7**

SERIAL INTERFACE

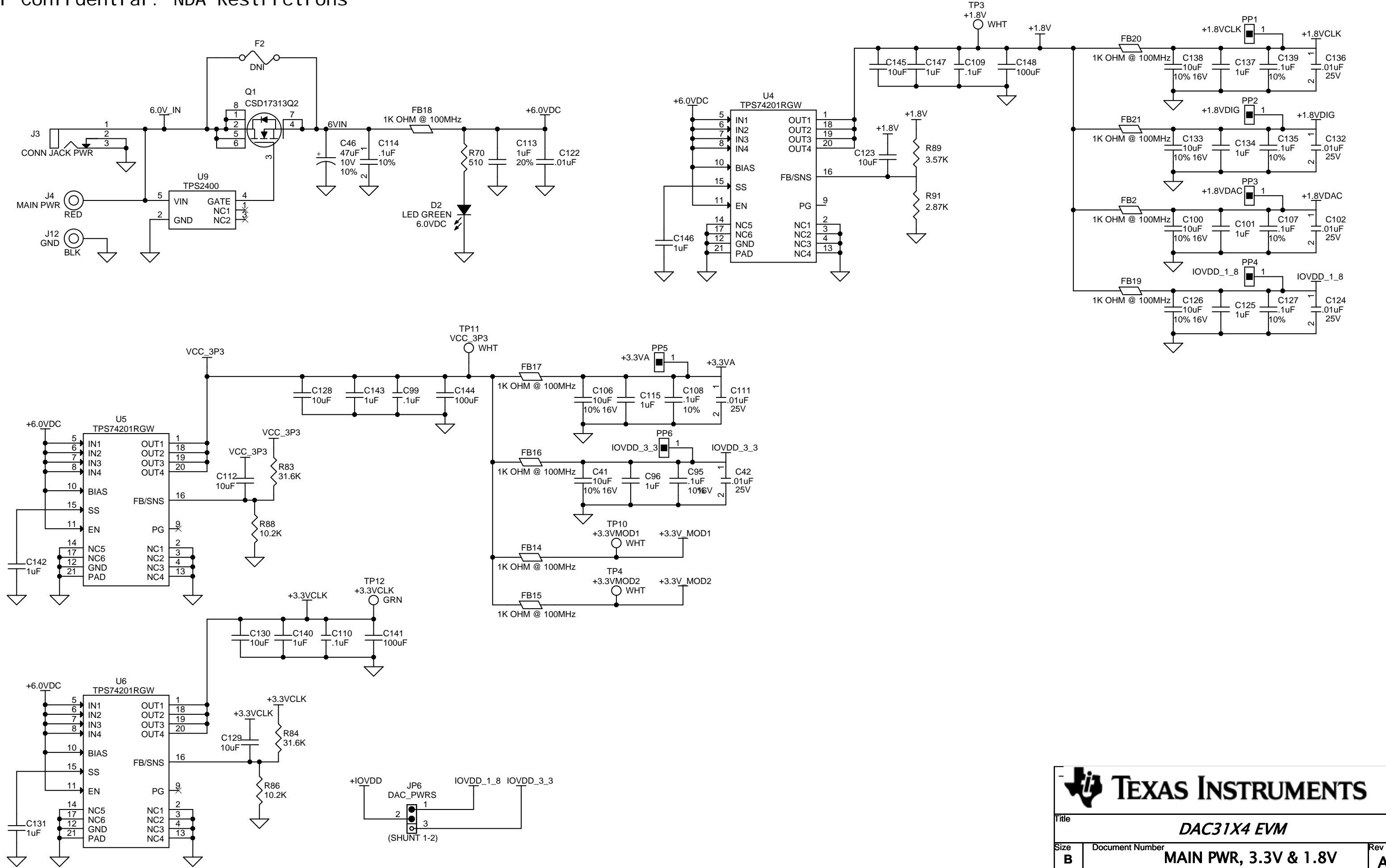


TEXAS INSTRUMENTS

Title: **DAC31X4 EVM**

Size **B** | Document Number: **USB INTERFACE** | Rev **B**

Date: Monday, April 08, 2013 | Sheet 6 of 7



TEXAS INSTRUMENTS

Title: **DAC31X4 EVM**

Size B	Document Number MAIN PWR, 3.3V & 1.8V	Rev A
Date: Monday, April 08, 2013	Sheet 7 of 7	