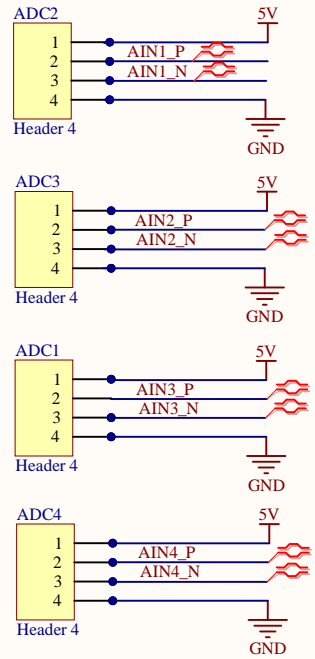
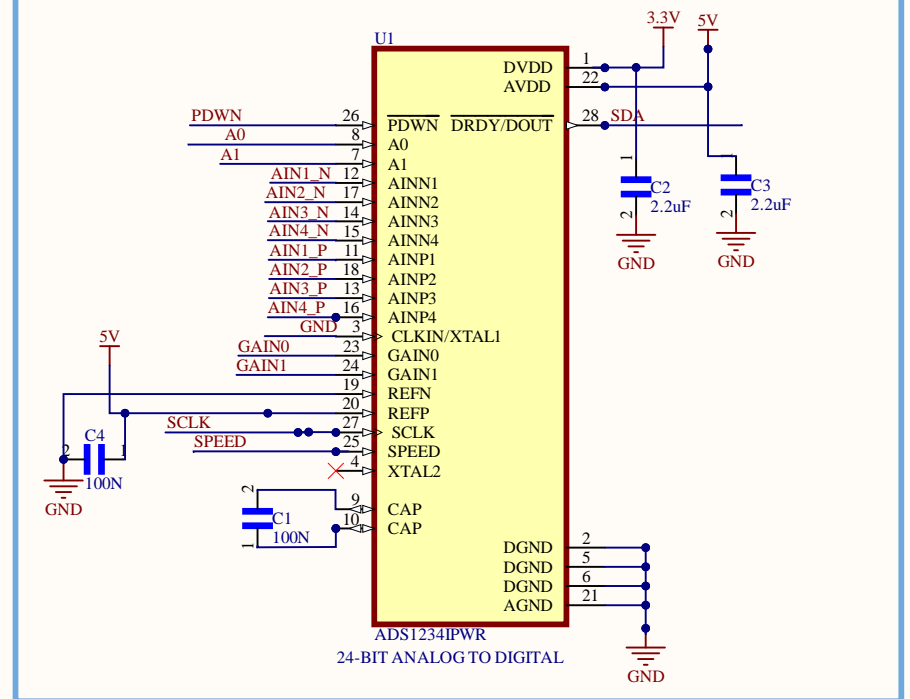


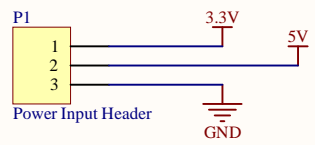
HEADERS TO CONNECT TO 4 LOAD CELLS



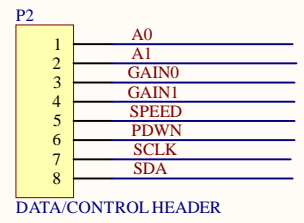
ADS1234 24-BIT ADC



INPUT POWER



I2C AND CONTROL INPUT



Title		
Size A4	Number	Revision
Date: 9-29-2021	Sheet of	
File: C:\Users\...\ADS1234.SchDoc	Drawn By:	

