

A

B

C

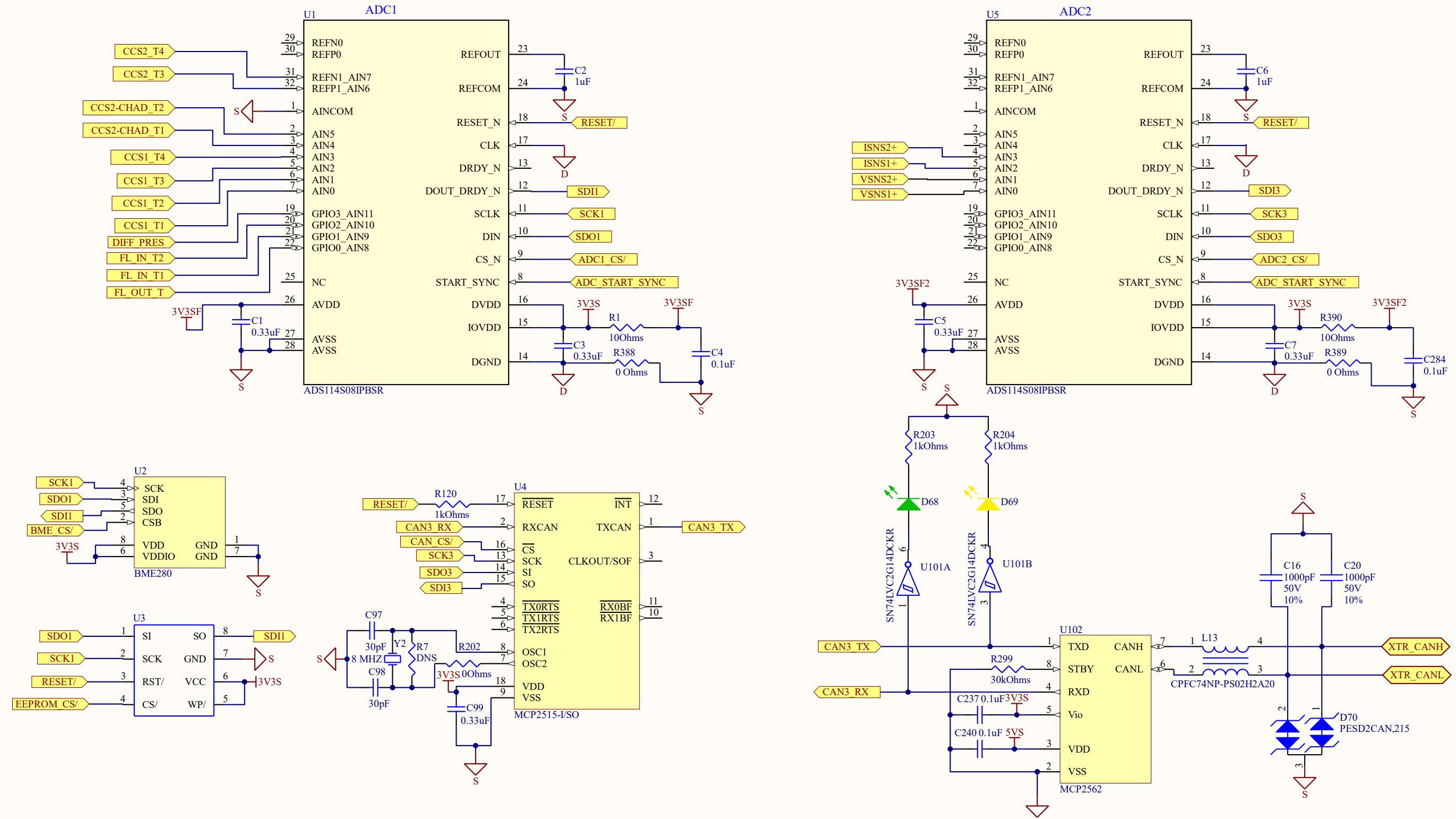
D

A

B

C

D



Title: MCU 6.0 SPI BUS			Document Number: ENG.DD.01
P/N: 110-0273-02	Rev: G1.0	Sheet: 12 of 19	BTC POWER
Grid: 5 Dxp Default		Size: B	
Drawn by: D. Hymel		Date: 09/27/2020	
Reviewed by: J. Soronio, E. Barabat		Date: 10/01/2020	
Approved by:		Date:	