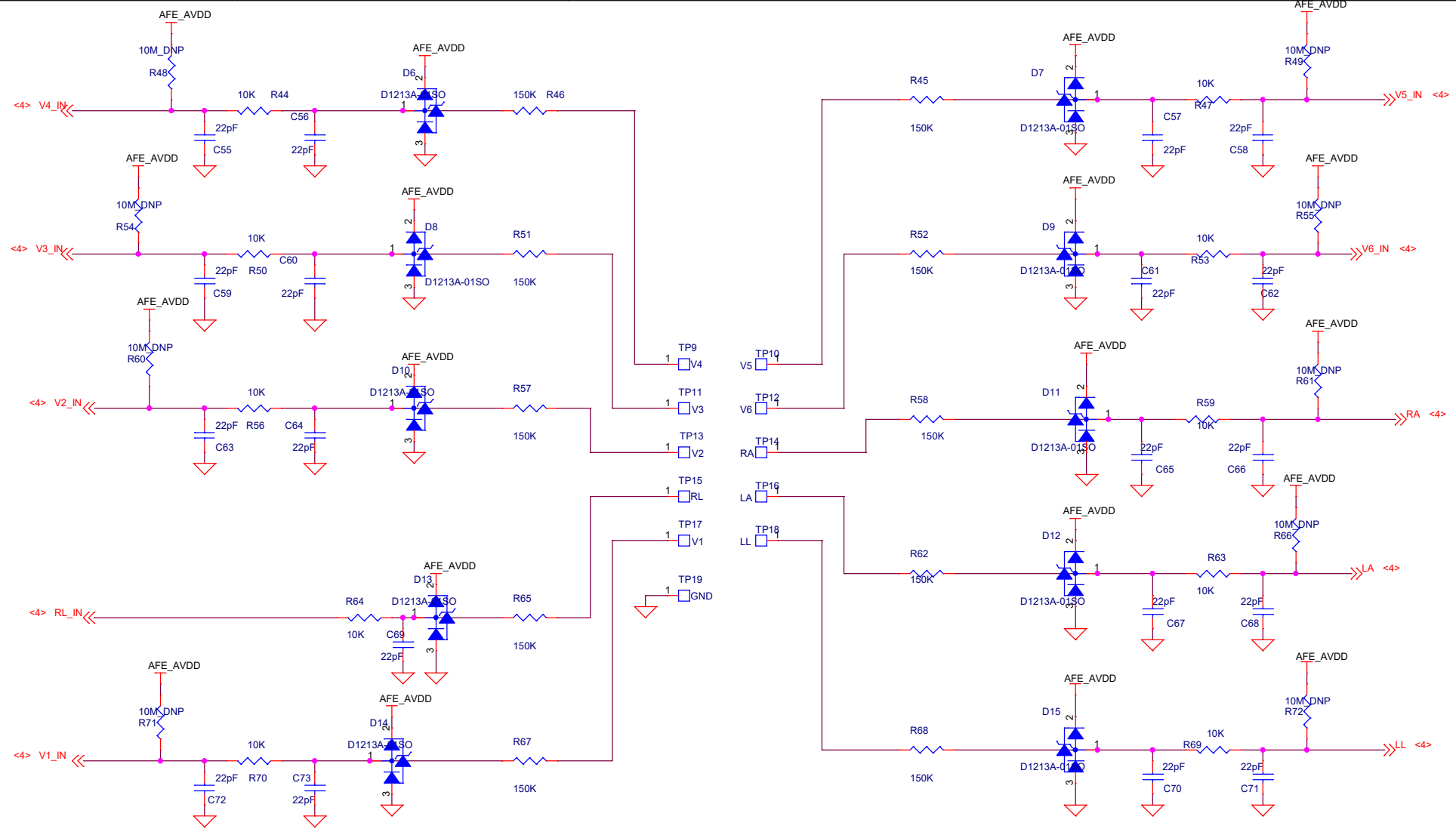


Local decoupling for AVDD/AVSS pins. Place as close as possible.

ADS1298 ADC

Title		
AFE IC		
Size	Document Number	Rev
A4	SCH-ECGPNT-V1	0.1
Date:	Sunday, February 18, 2018	Sheet 4 of 5



Title		
ECG front END		
Size	Document Number	Rev
B	SCH-ECGPNT-V1	0.1
Date:	Sunday, February 18, 2018	Sheet 5 of 5