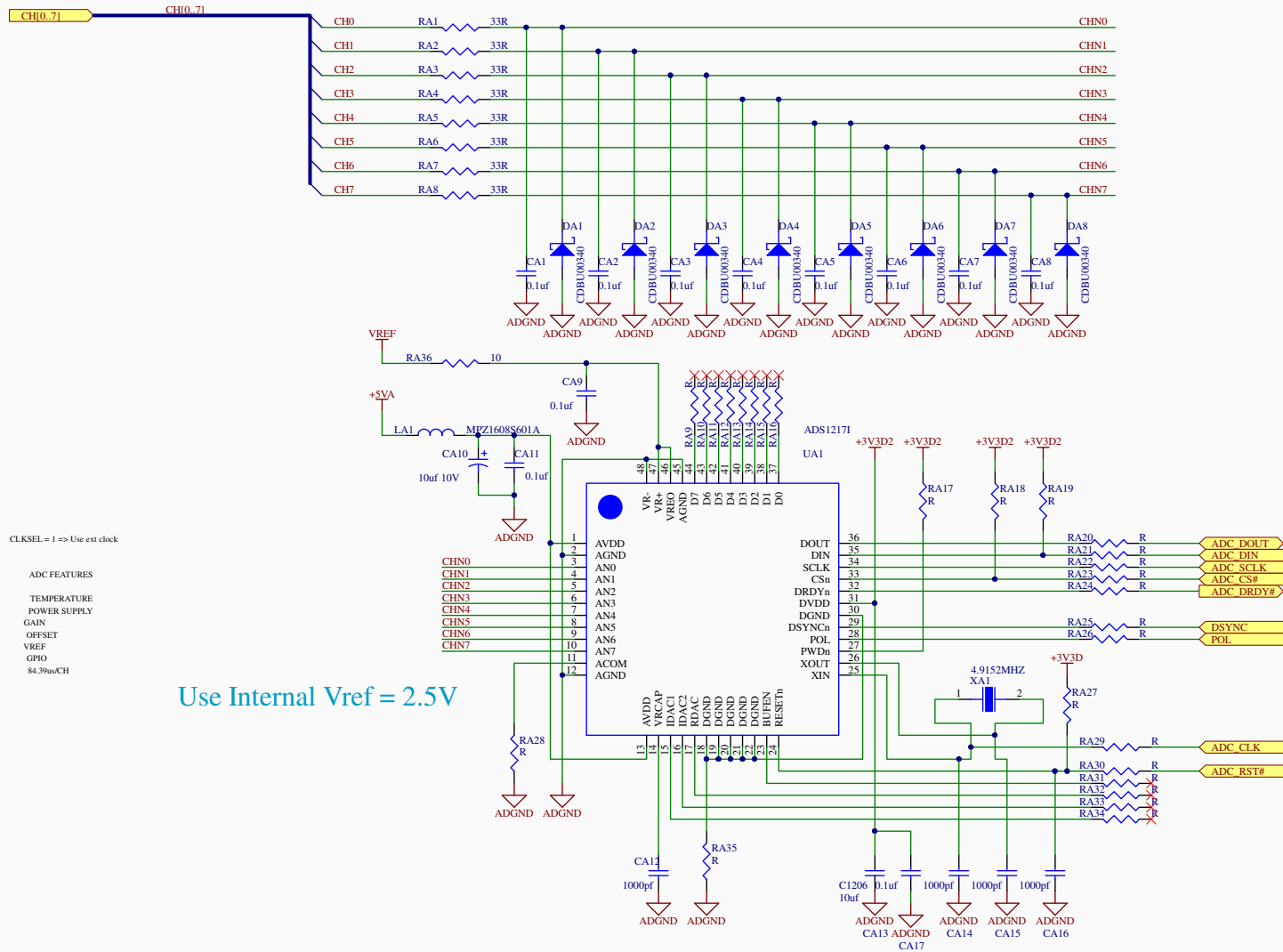


Revision History:		Date:
Rev:	ECN:	

Nov-27-18

ADC



Idd = 5mA
Icc = 20mA

Use Internal Vref = 2.5V

CLKSEL = 1 => Use ext clock

ADC FEATURES
TEMPERATURE
POWER SUPPLY
GAIN
OFFSET
VREF
GPIO
84.39us/CH

DNI = DO NOT INSTALL

Title ADC		Tekran Instruments Corp 330 Nantucket Boulevard Toronto Ontario CANADA, M1P-2P4		
Size: B	PN: Part Number	Revision: P2		
Date: 2018-12-28	Time: 10:02:30 AM	Sheet 18 of 27		
File: D:\Fausto\Projects\3400\Boards\ANALYZER\Schematics P2\ADC.SchDoc				