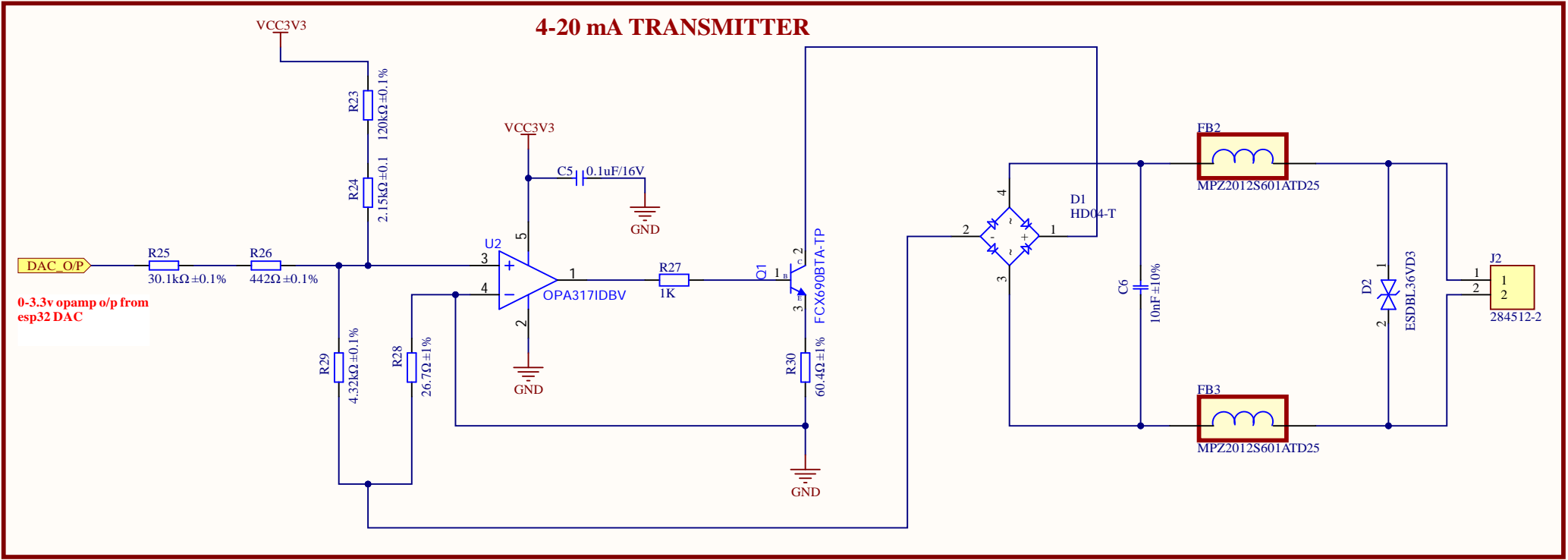


4-20 mA TRANSMITTER



DAC_OP
0-3.3v opamp o/p from esp32 DAC

Title		
Size A4	Number	Revision
Date: 2/24/2026	Sheet of	
File: C:\Users\...\4-20mA loop design.SchDoc	Drawn By:	