

ADC32XX
Channel A and B Input
Sheet 2

ADC32XX
Sheet 3

Amplifier
Sheet 4

Clock Input
Sheet 5

LVDS Outputs
Sheet 6

Power Supplies
Sheet 7

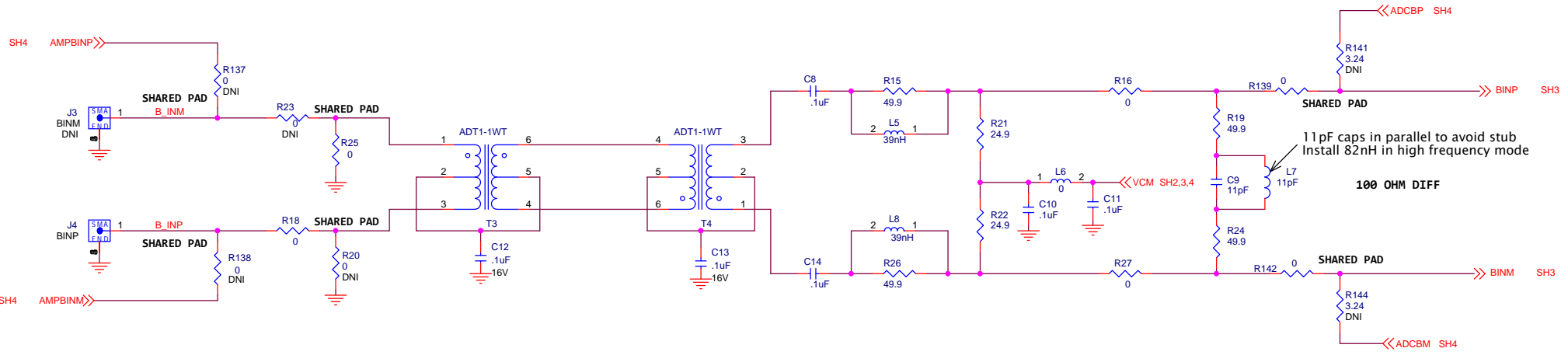
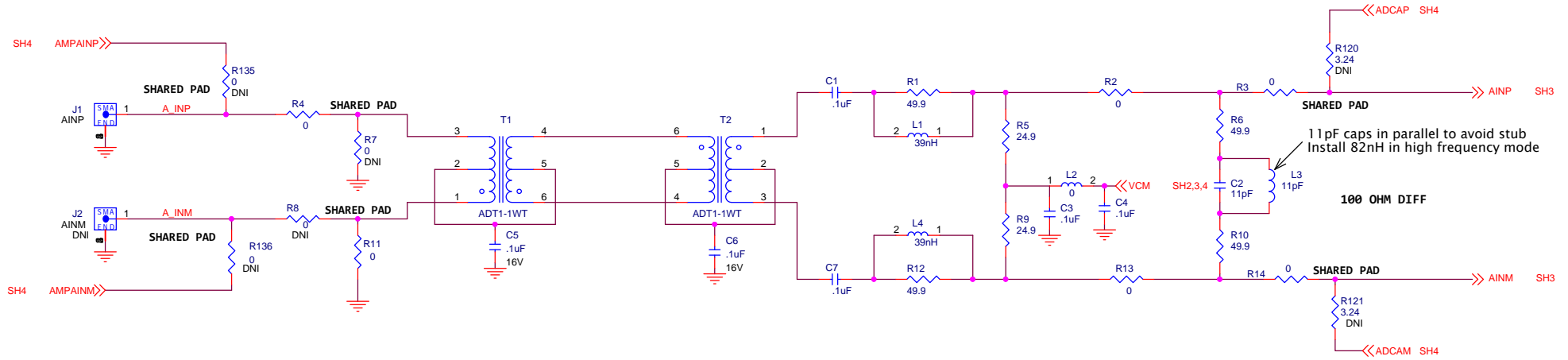
USB Interface
Sheet 8



Title		
Size	Document Number	Rev
B	ADC32XX EVM	C

Engineer: Ken Chan
PCB: Loan Nguyen

Date: Thursday, July 03, 2014	Sheet 1 of 8
-------------------------------	--------------



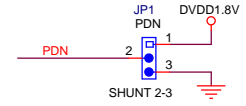
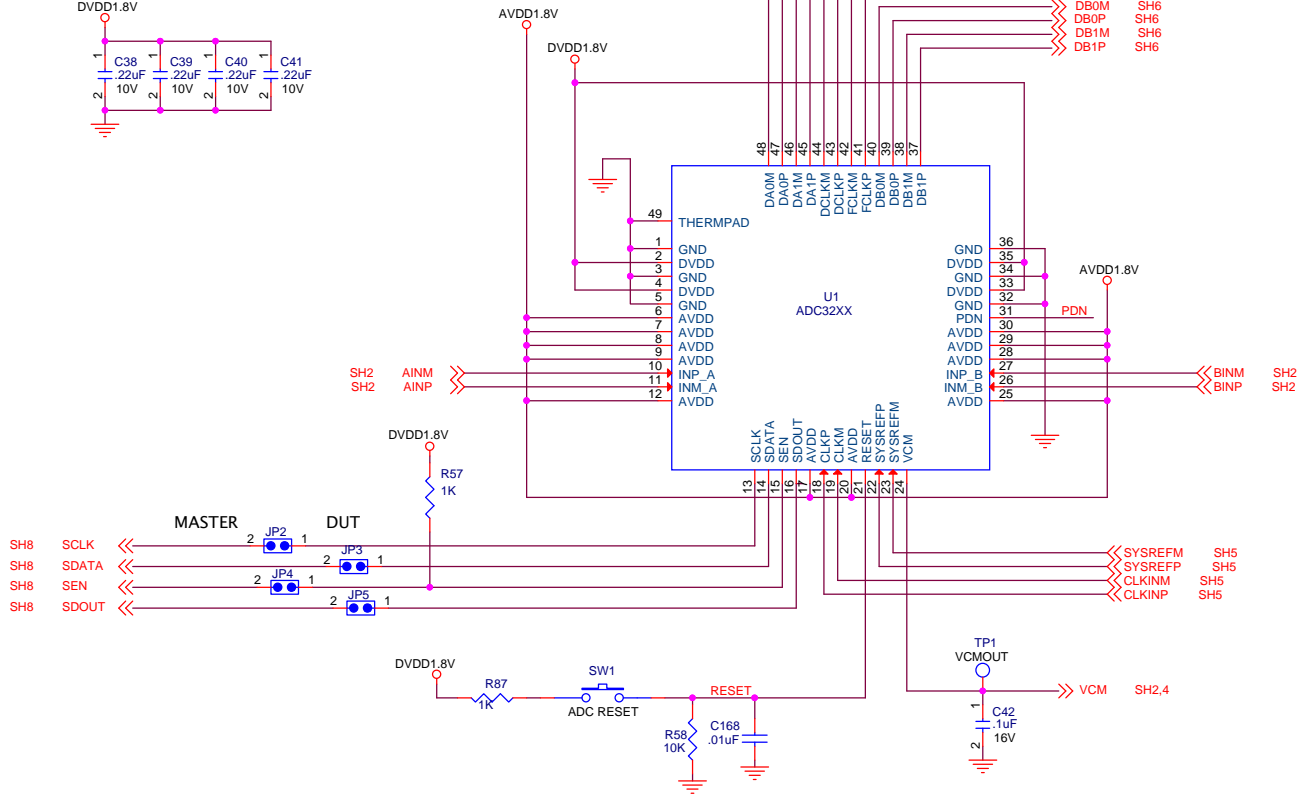
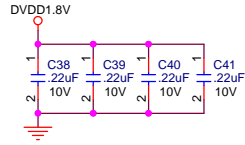
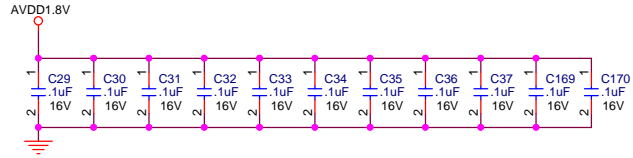
DNI = DO NOT INSTALL

TEXAS INSTRUMENTS

10000 DALLAS ROAD, DALLAS, TEXAS 75243

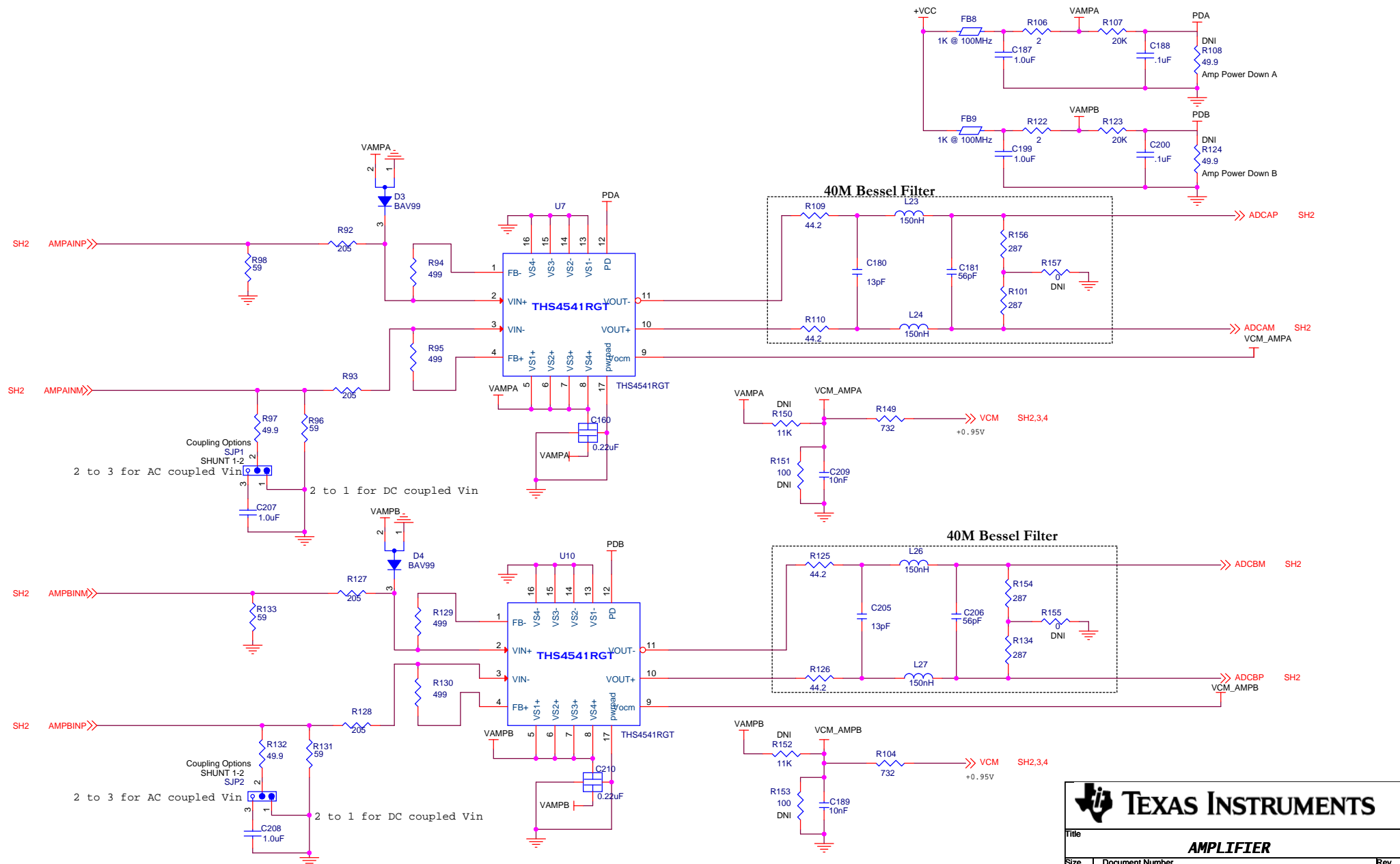
Title		
ANALOG IN		
Size B	Document Number	Rev C
	ADC32XXEVM	
Date:	Tuesday, July 15, 2014	Sheet 2 of 8

DNI = DO NOT INSTALL



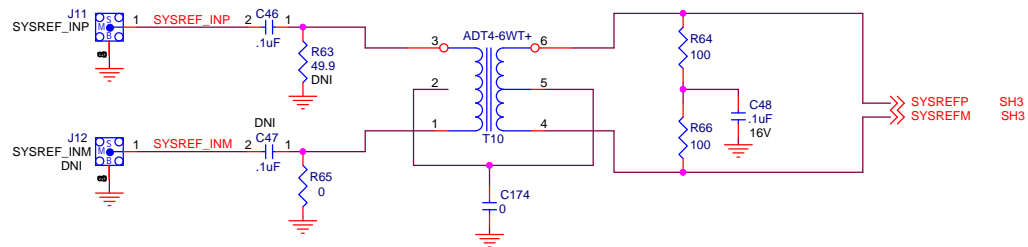
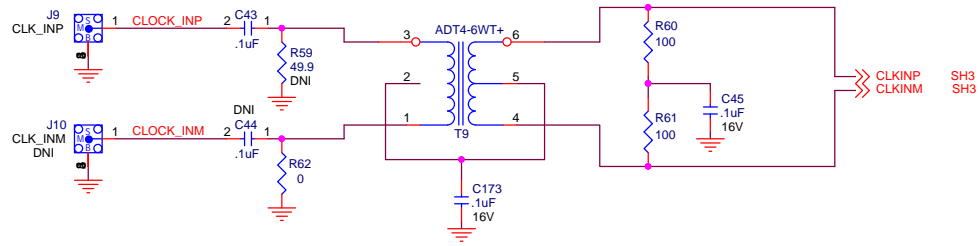
TEXAS INSTRUMENTS
 20000012 - ADC32XXEVM - 0000

Title		
ADC		
Size	Document Number	Rev
B	ADC32XXEVM	C
Date:	Thursday, July 03, 2014	Sheet 3 of 8












TEXAS INSTRUMENTS

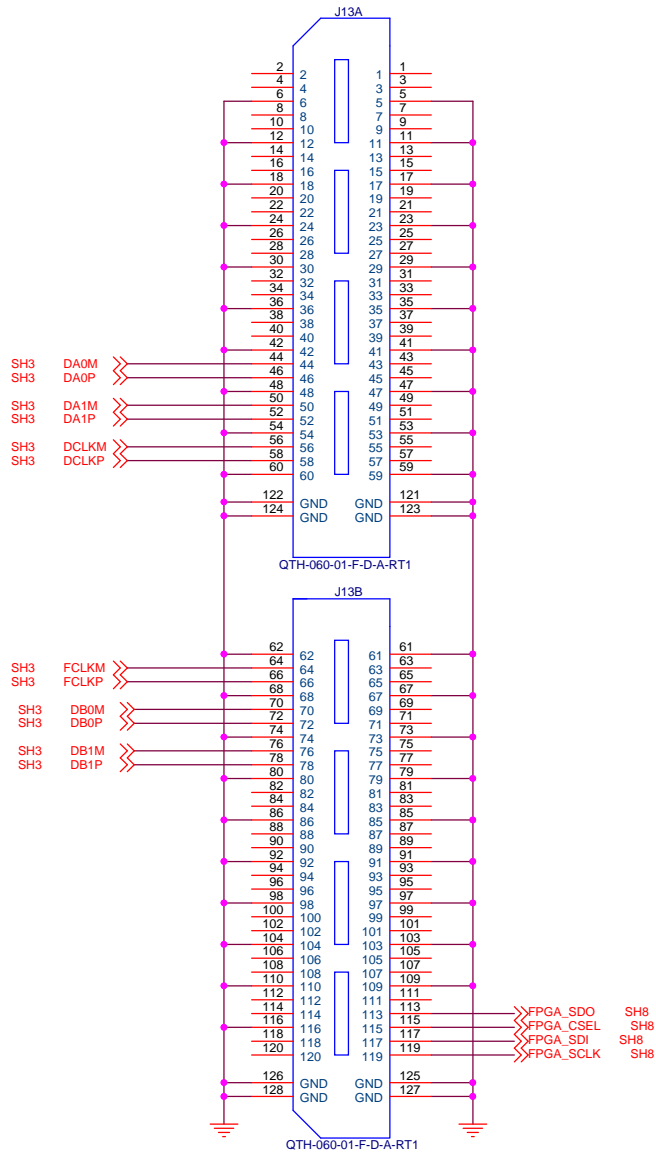
Title		
AMPLIFIER		
Size	Document Number	Rev
B	ADC32XXEVM	C
Date:	Thursday, July 03, 2014	Sheet 4 of 8



MECHANICAL PARTS

- 
 SCREW PANHEAD 4-40 x 3/8
- 
 SCREW PANHEAD 4-40 x 3/8
- 
 SCREW PANHEAD 4-40 x 3/8
- 
 SCREW PANHEAD 4-40 x 3/8
- 
 STANDOFF ALUM HEX 4-40 x .500
- 
 STANDOFF ALUM HEX 4-40 x .500
- 
 STANDOFF ALUM HEX 4-40 x .500
- 
 STANDOFF ALUM HEX 4-40 x .500

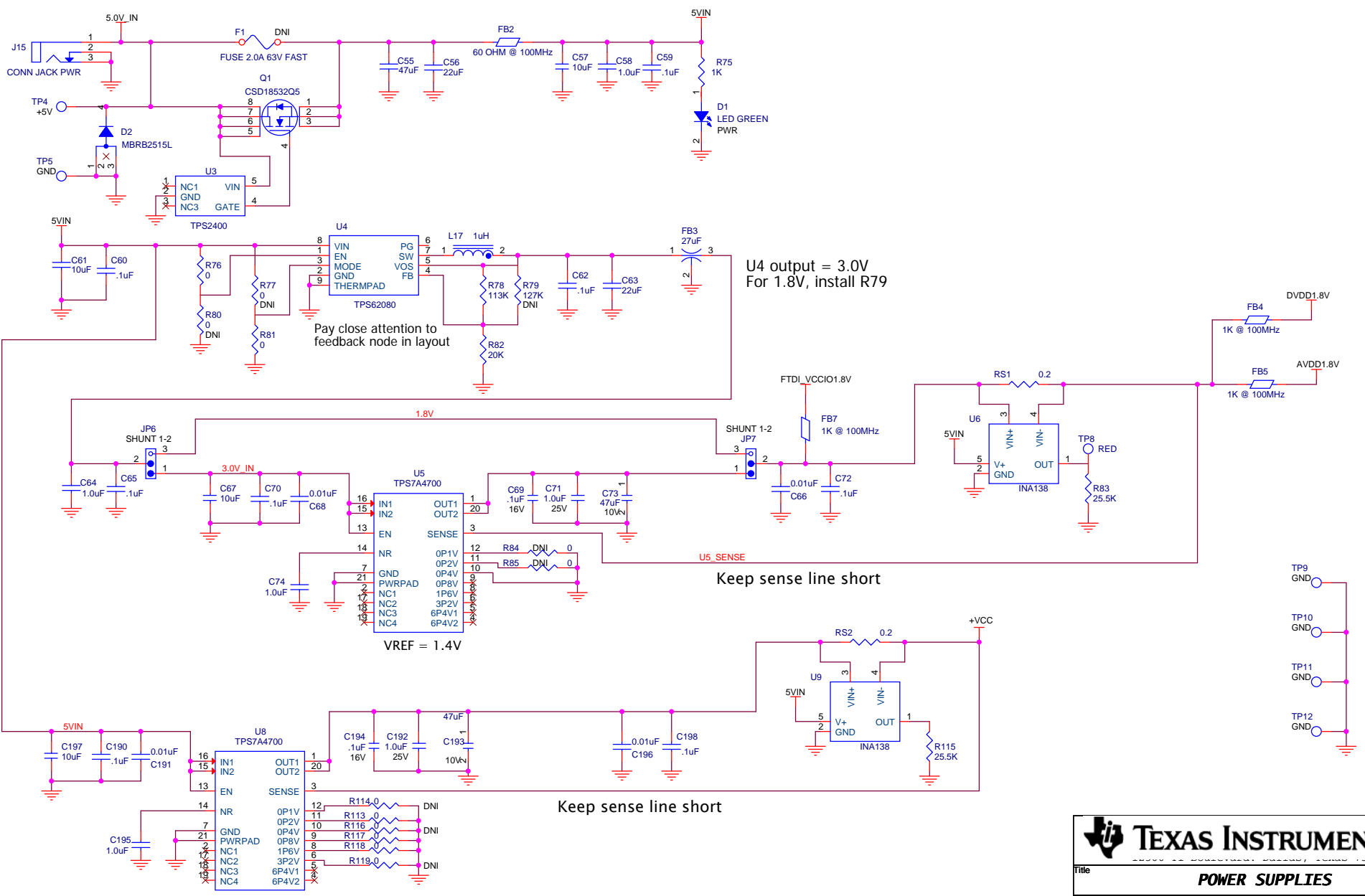
 TEXAS INSTRUMENTS		
CLOCK INPUT		
Title	CLOCK INPUT	
Size	Document Number	Rev
B	ADC32XXEVM	C
Date:	Thursday, July 03, 2014	Sheet 5 of 8



TEXAS INSTRUMENTS
20001 RICE FREDDY BOULEVARD, FORT WORTH, TEXAS 76102

Title: **OUTPUT**

Size: B	Document Number: ADC32XXEVM	Rev: C
Date: Thursday, July 03, 2014	Sheet: 6 of 8	



U4 output = 3.0V
For 1.8V, install R79

Pay close attention to feedback node in layout

Keep sense line short

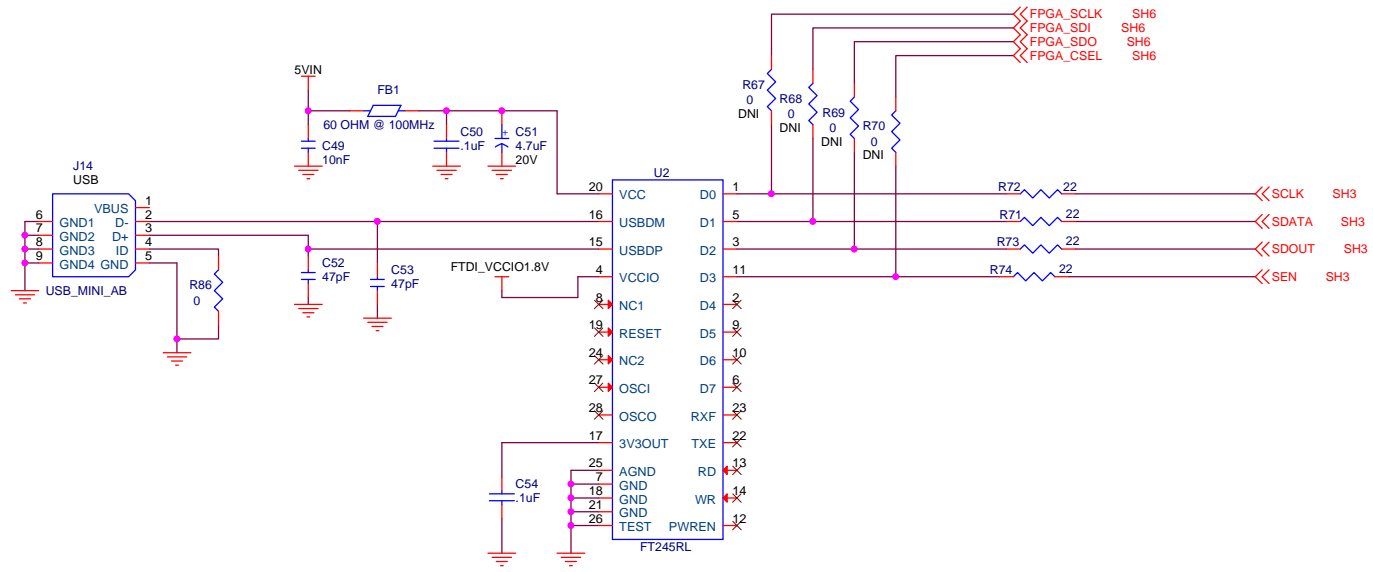
Keep sense line short

Default output is $1.4V + 0.2V + 0.8V + 1.6V = 4V$

DNI = DO NOT INSTALL

TEXAS INSTRUMENTS
POWER SUPPLIES

Title		POWER SUPPLIES	
Size	Document Number	ADC32XXEVM	
B			Rev C
Date:	Monday, September 08, 2014	Sheet	7 of 8



TEXAS INSTRUMENTS

Title: **USB**

Size: **B** Document Number: **ADC324XEVM** Rev: **B**

Date: Thursday, July 03, 2014 Sheet 8 of 8