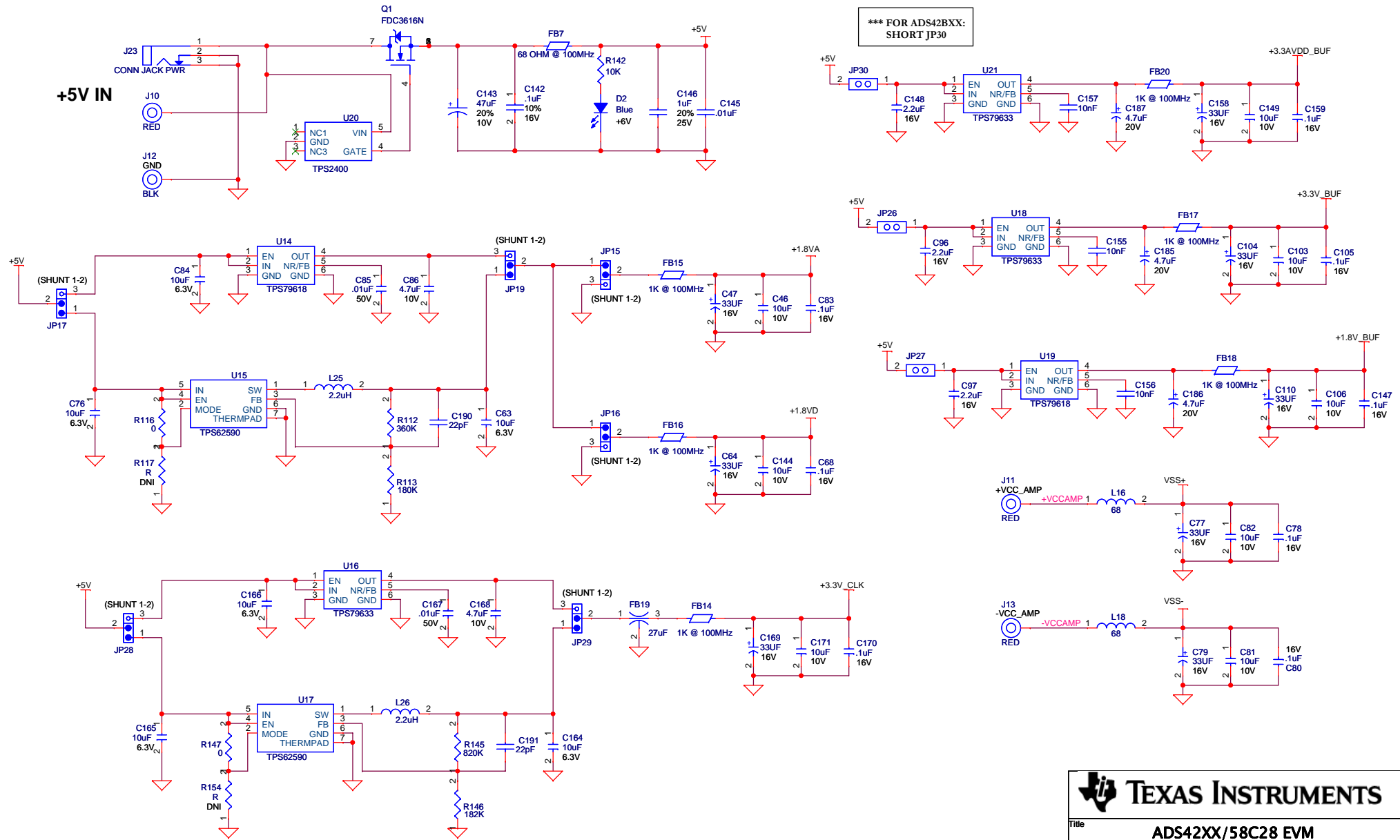


+5V IN

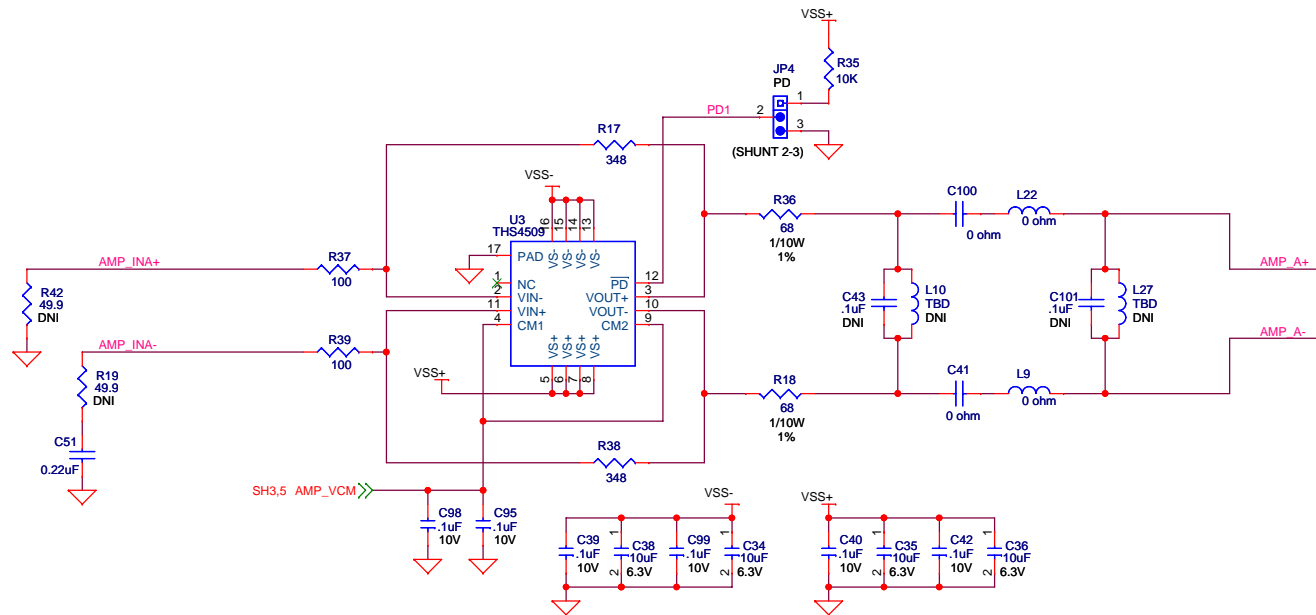
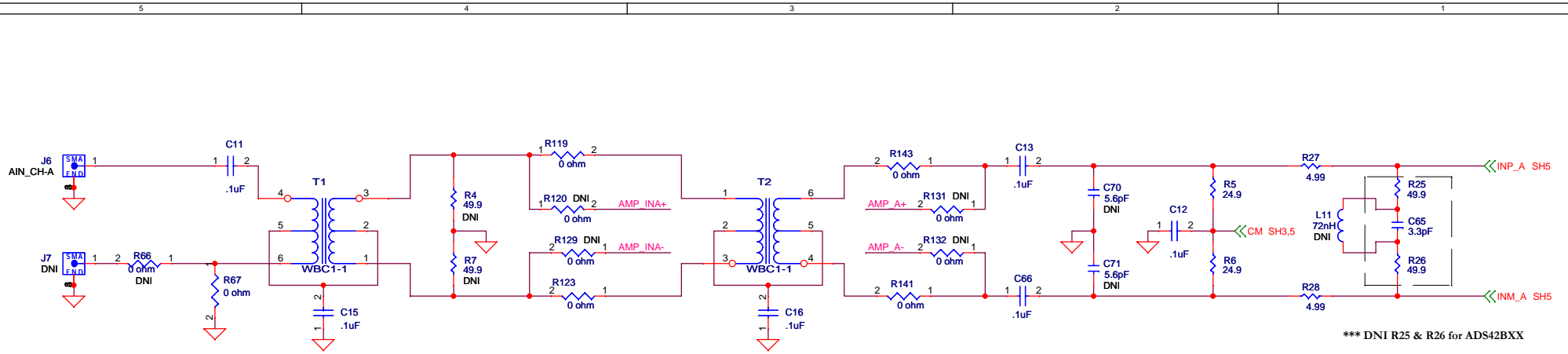


\*\*\* FOR ADS42BXX:  
SHORT JP30



Title: **ADS42XX/58C28 EVM**

Drawn: L. Nguyen	Size: B	Document Number: ADS42XX/58C28 EVM-SCH	Rev: C
Engineer: HQ. Liu	Date: Friday, January 28, 2011	Sheet: 1	of 7

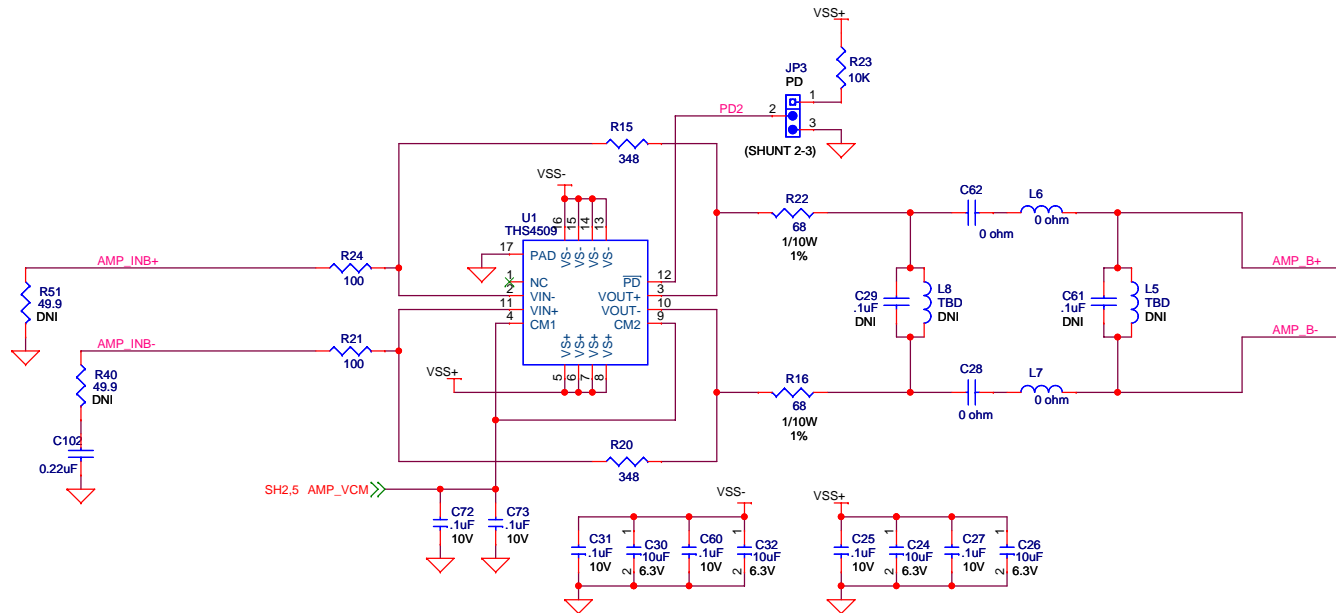
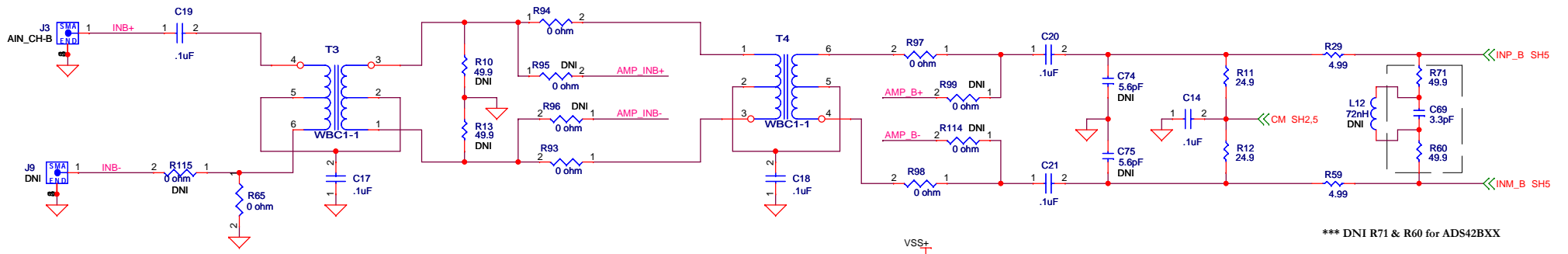


**TEXAS INSTRUMENTS**

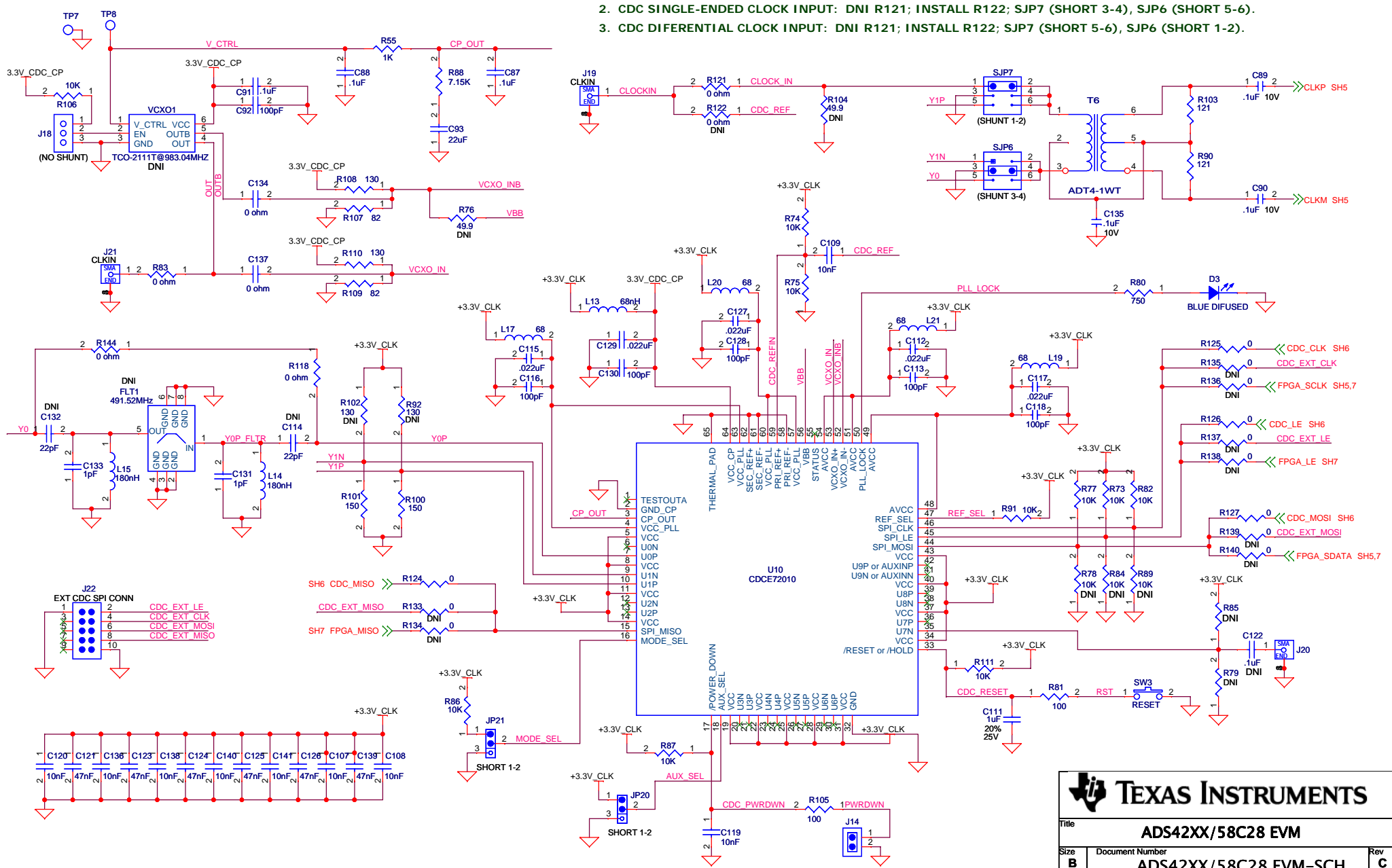
Title: **ADS42XX/58C28 EVM**

Size: **B** Document Number: **ADS42XX/58C28 EVM-SCH** Rev: **C**

Date: **Monday, December 13, 2010** Sheet: **2** of **7**



2. CDC SINGLE-ENDED CLOCK INPUT: DNI R121; INSTALL R122; SJP7 (SHORT 3-4), SJP6 (SHORT 5-6).
3. CDC DIFFERENTIAL CLOCK INPUT: DNI R121; INSTALL R122; SJP7 (SHORT 5-6), SJP6 (SHORT 1-2).

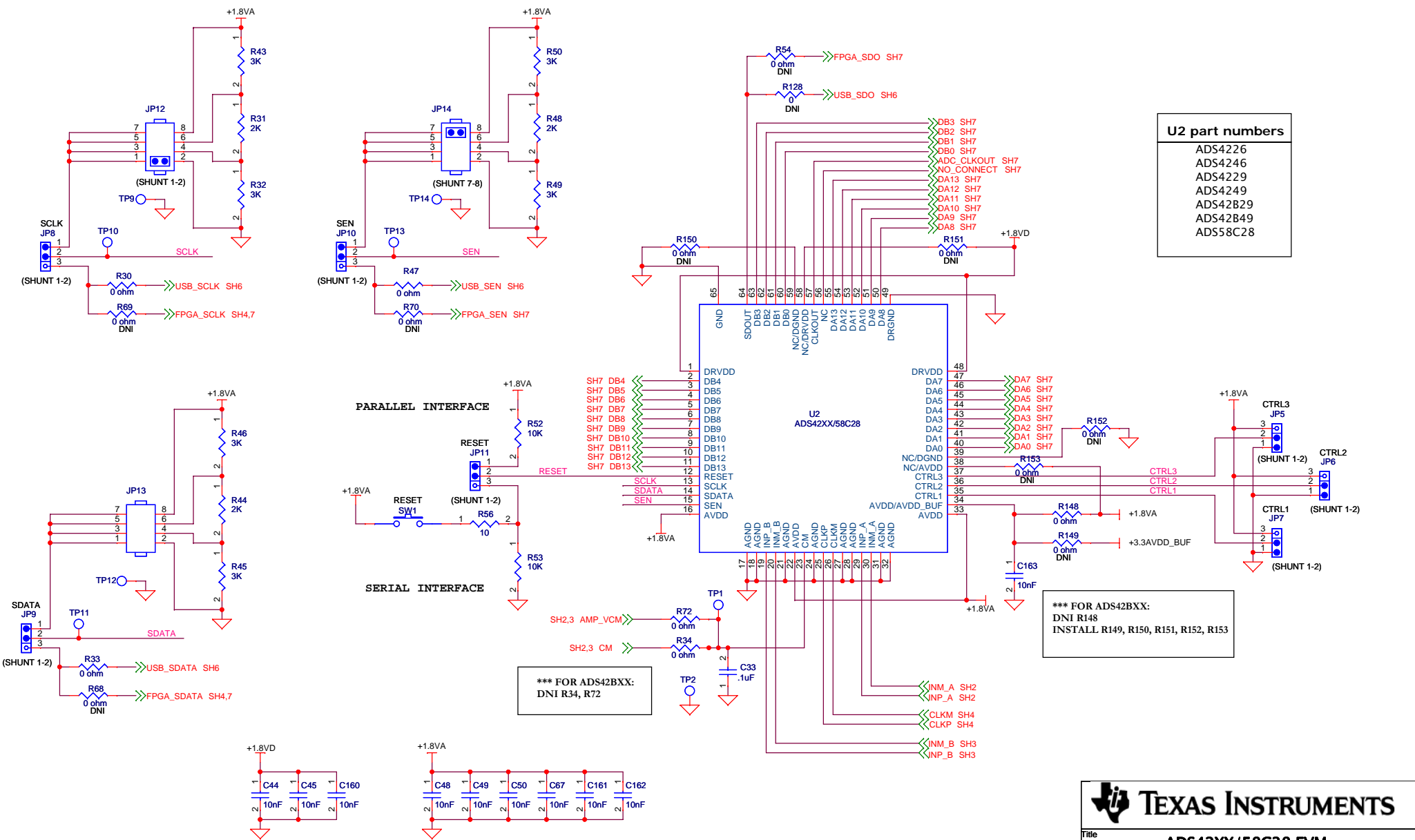


**TEXAS INSTRUMENTS**

Title: **ADS42XX/58C28 EVM**

Size: **B** Document Number: **ADS42XX/58C28 EVM-SCH** Rev: **C**

Date: **Monday, December 13, 2010** Sheet: **4** of **7**



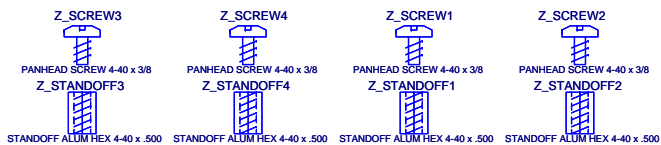
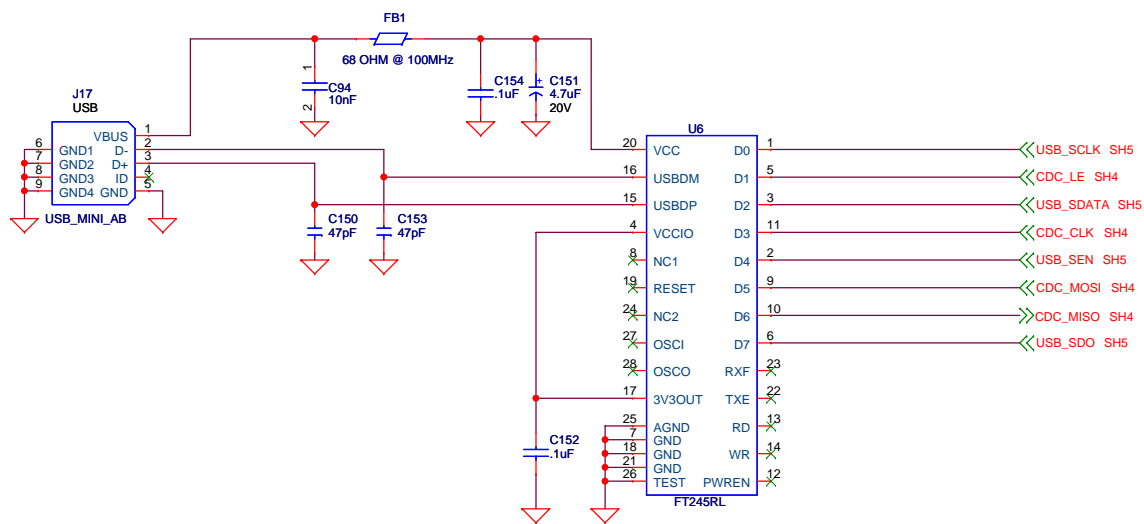
U2 part numbers	
ADS4226	
ADS4246	
ADS4229	
ADS4249	
ADS42B29	
ADS42B49	
ADS58C28	

**TEXAS INSTRUMENTS**

Title: **ADS42XX/58C28 EVM**

Size: **B** Document Number: **ADS42XX/58C28 EVM-SCH** Rev: **C**

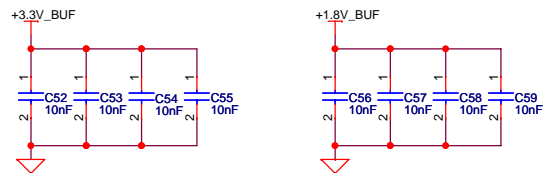
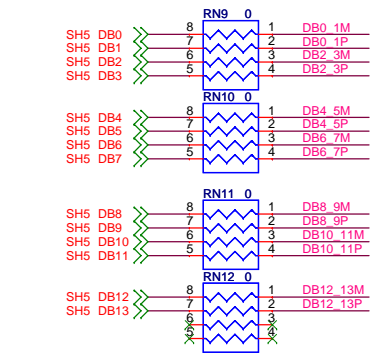
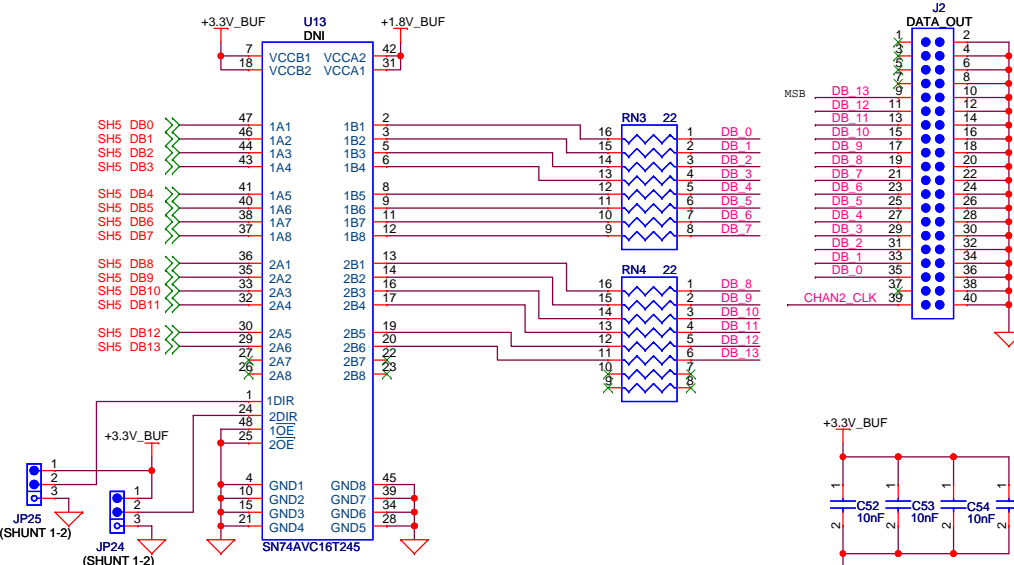
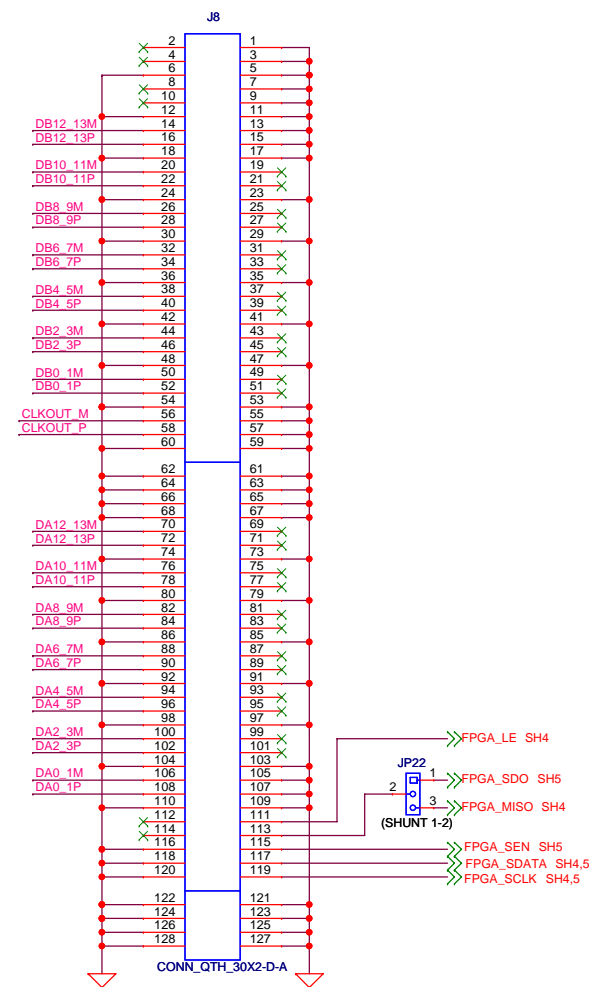
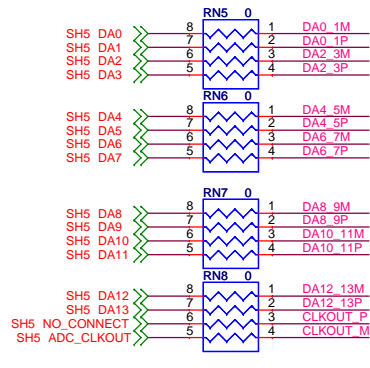
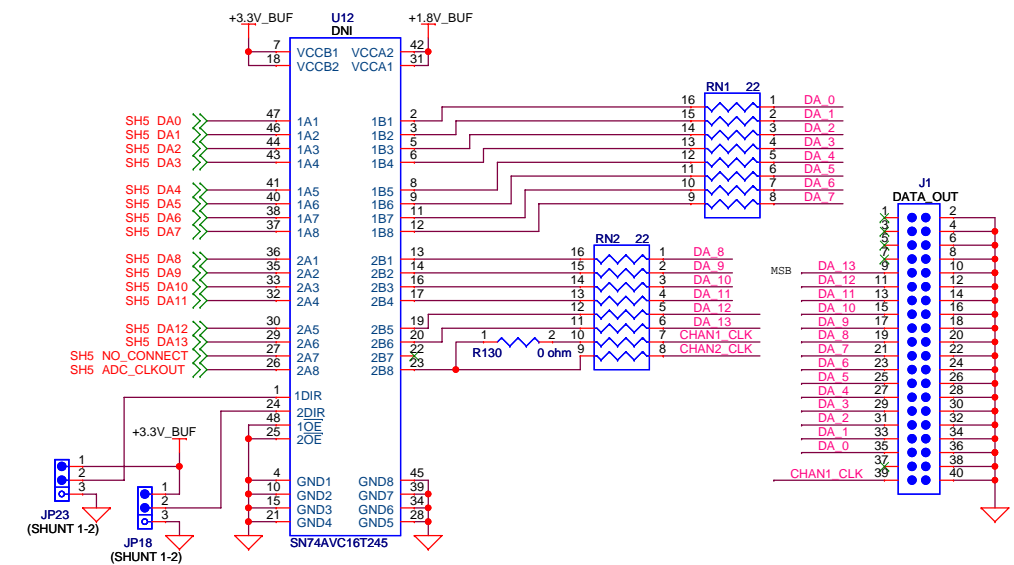
Date: Friday, January 28, 2011 Sheet 5 of 7



**TEXAS INSTRUMENTS**

Title: **ADS42XX/58C28 EVM**

Size <b>B</b>	Document Number <b>ADS42XX/58C28 EVM-SCH</b>	Rev <b>C</b>
Date: Monday, December 13, 2010	Sheet 6	of 7



**TEXAS INSTRUMENTS**

Title: **ADS42XX/58C28 EVM**

Size: **B** Document Number: **ADS42XX/58C28 EVM-SCH** Rev: **C**

Date: Monday, December 13, 2010 Sheet 7 of 7