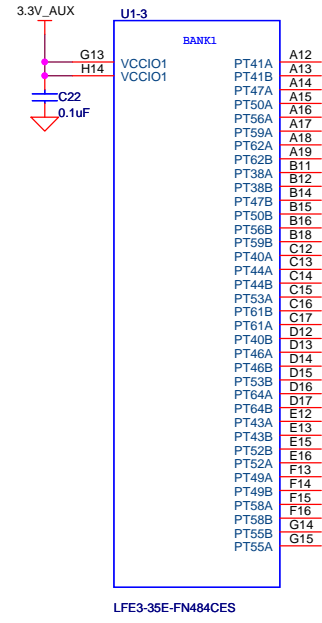
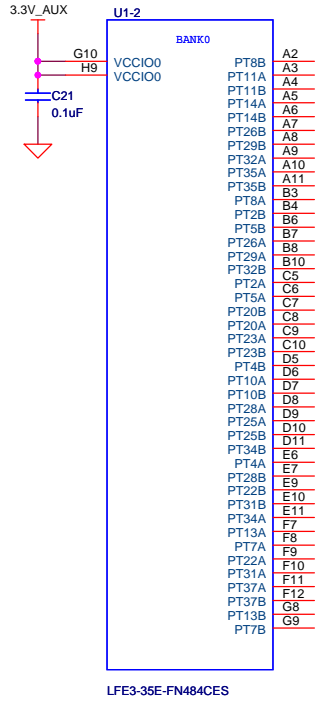
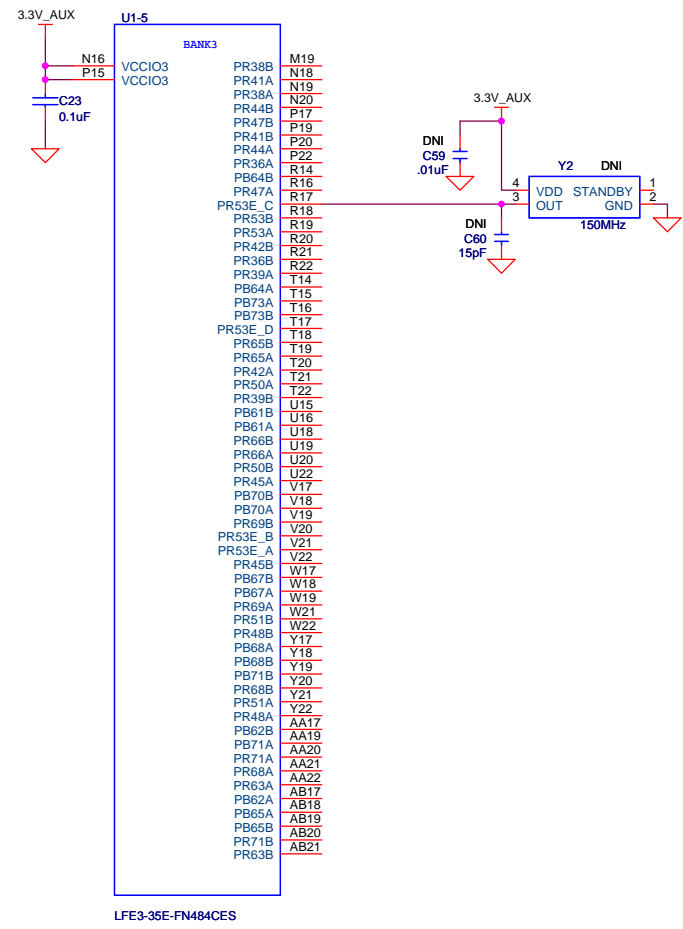
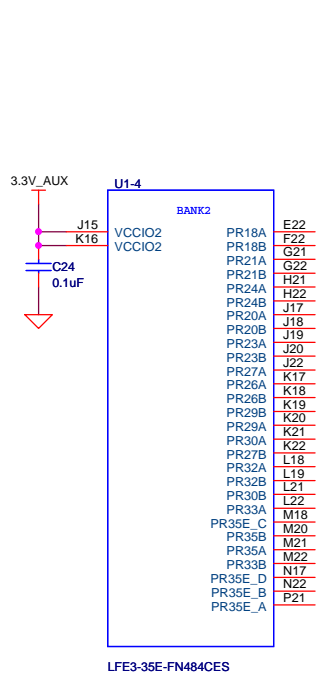


Title		ADC Mini Capture Card	
Size	B	Document Number	TSW1405
Drawn:	L. NGUYEN	Date:	Monday, April 09, 2012
Engineer:	R. PRENTICE	Sheet	1 of 8
Rev	C		



Title		
ADC Mini Capture Card		
Size	Document Number	Rev
B	TSW1405	C

Date: Monday, April 09, 2012 Sheet 2 of 8

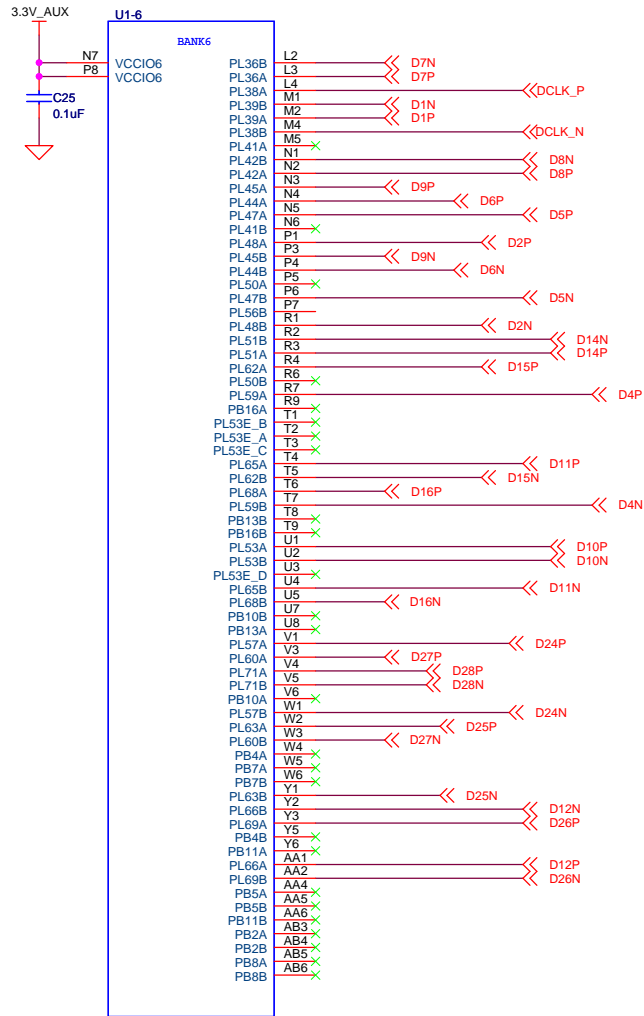


TEXAS INSTRUMENTS

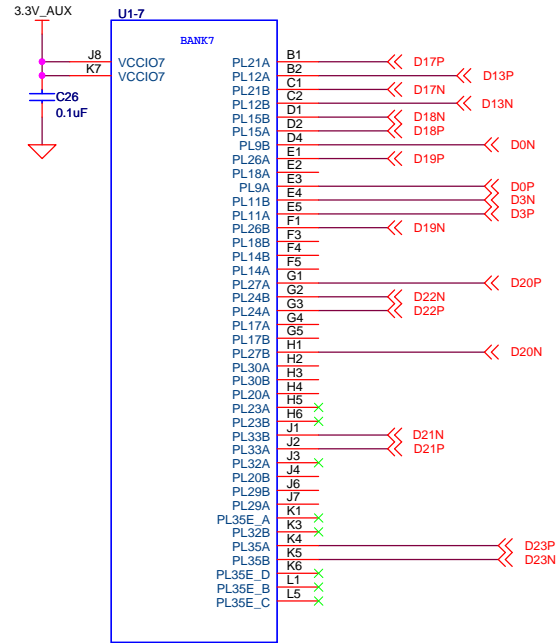
Title: ADC Mini Capture Card

Size: B Document Number: TSW1405 Rev: C

Date: Monday, April 09, 2012 Sheet 3 of 8



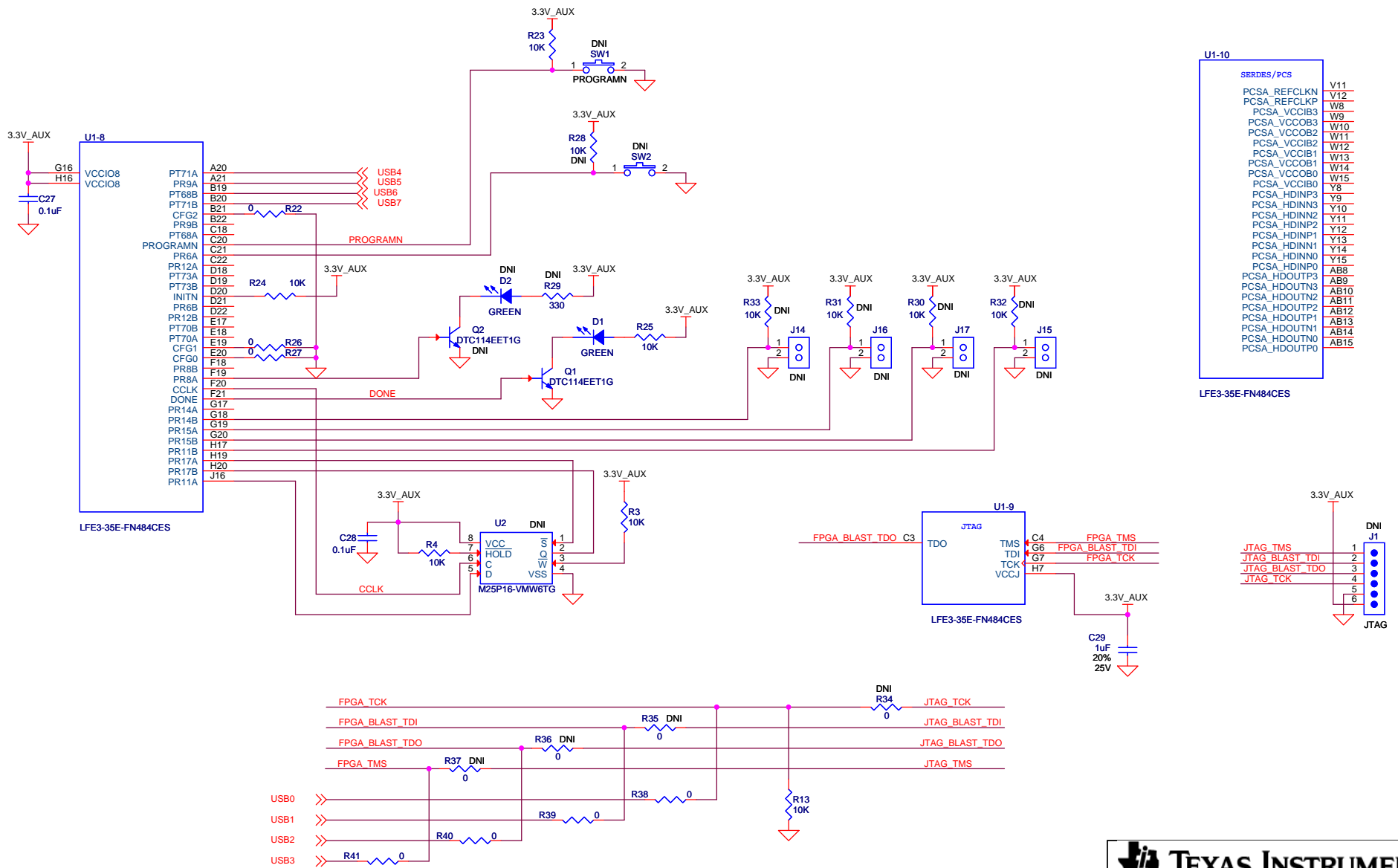
LFE3-35E-FM484CES



LFE3-35E-FM484CES



Title		
ADC Mini Capture Card		
Size	Document Number	Rev
B	TSW1405	C
Date:	Monday, April 09, 2012	Sheet 4 of 8



U1-10

SERDES/PCS	Pin
PCSA_REFCLKN	V11
PCSA_REFCLKP	V12
PCSA_VCCOB3	W8
PCSA_VCCOB2	W9
PCSA_VCCOB1	W10
PCSA_VCCIB3	W11
PCSA_VCCIB2	W12
PCSA_VCCIB1	W13
PCSA_VCCO0	W14
PCSA_VCCO0	W15
PCSA_VCCIB0	Y8
PCSA_VCCIB3	Y9
PCSA_VCCIB2	Y10
PCSA_VCCIB1	Y11
PCSA_VCCO0	Y12
PCSA_VCCO0	Y13
PCSA_VCCO0	Y14
PCSA_VCCO0	Y15
PCSA_HDINN3	AB8
PCSA_HDINN2	AB9
PCSA_HDINN1	AB10
PCSA_HDOUT3	AB11
PCSA_HDOUT2	AB12
PCSA_HDOUT1	AB13
PCSA_HDOUT0	AB14
PCSA_HDOUT0	AB15

LFE3-35E-FN484CES

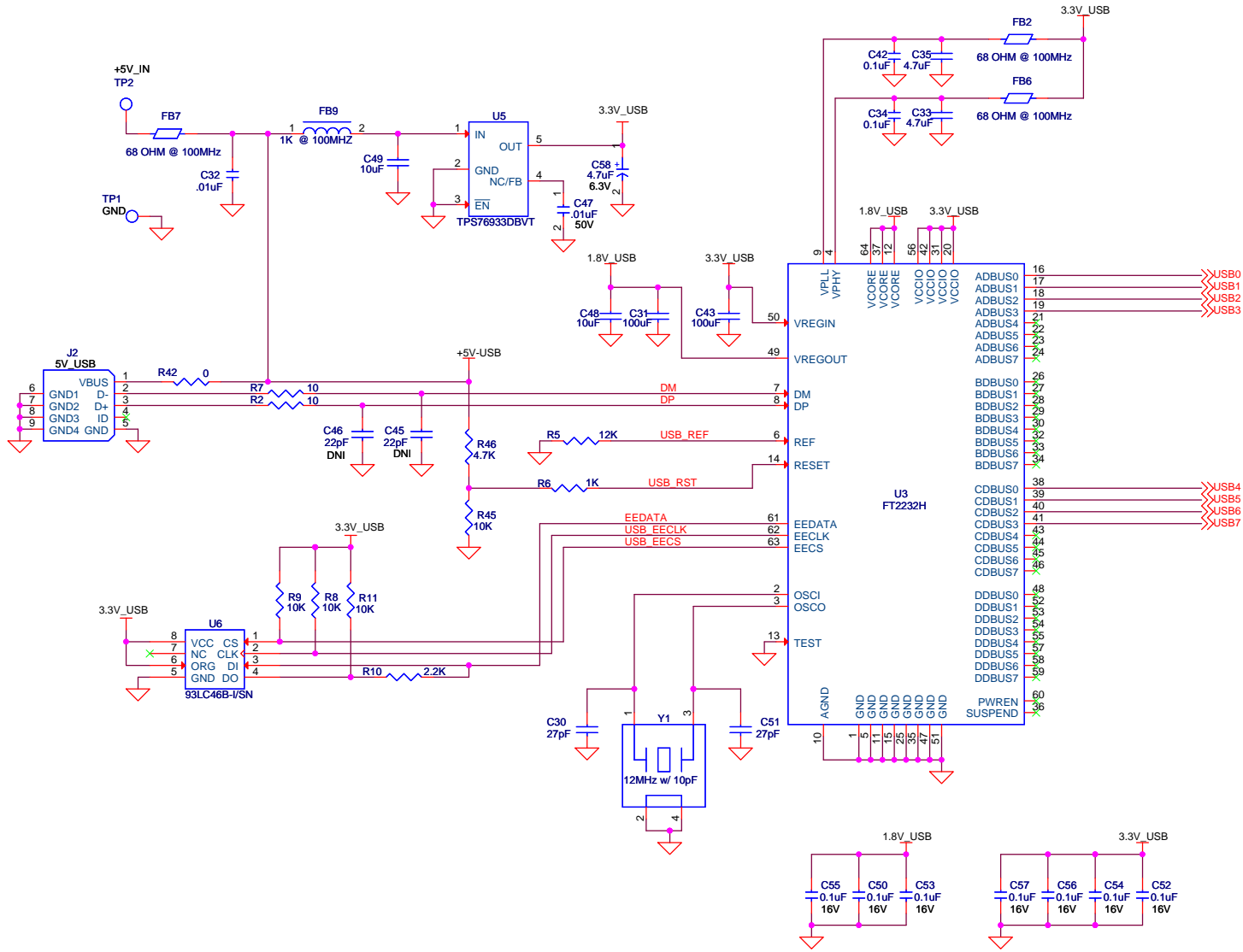
TEXAS INSTRUMENTS

Title: ADC Mini Capture Card

Size: B Document Number: TSW1405 Rev: C

Date: Monday, April 09, 2012 Sheet: 5 of 8

USB

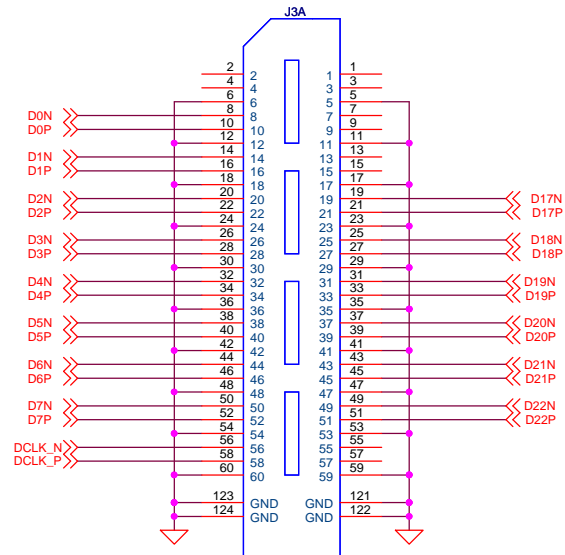


TEXAS INSTRUMENTS

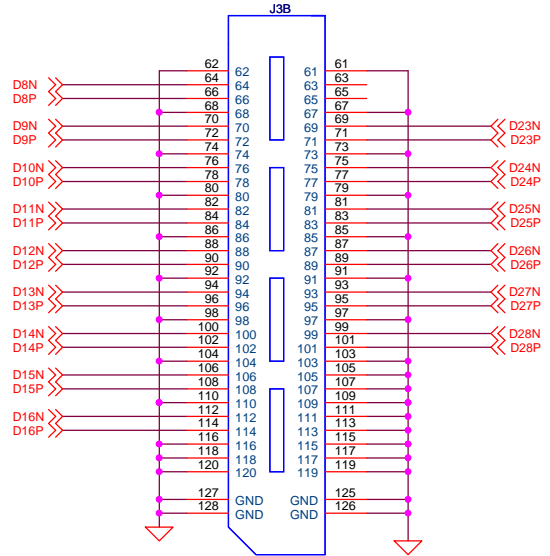
Title: ADC Mini Capture Card

Size: B Document Number: TSW1405 Rev: C

Date: Monday, April 09, 2012 Sheet 6 of 8



QSH-060-01-L-D-A-RT1



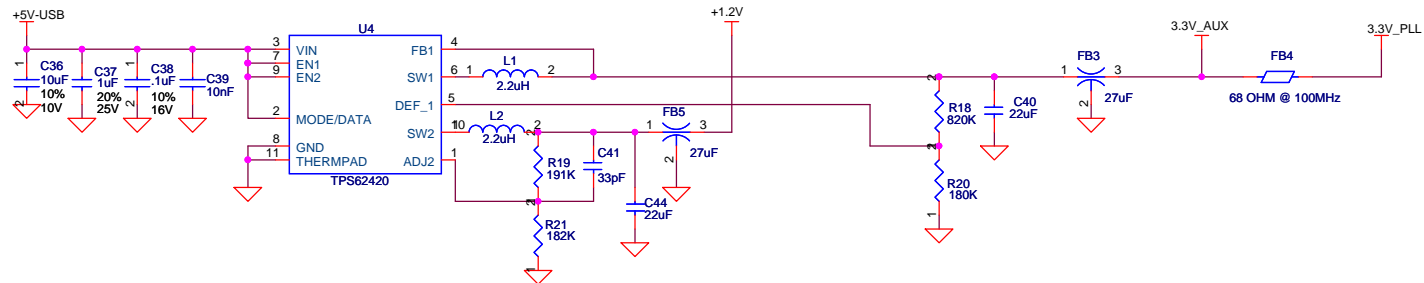
QSH-060-01-L-D-A-RT1

TEXAS INSTRUMENTS

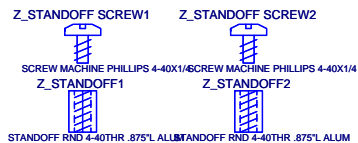
Title: ADC Mini Capture Card


Size: **B** Document Number: **TSW1405** Rev: **C**

Date: Monday, April 09, 2012 Sheet 7 of 8



MECHANICAL PARTS



 TEXAS INSTRUMENTS		
Title: ADC Mini Capture Card		
Size: B	Document Number: TSW1405	Rev: C
Date: Monday, April 09, 2012	Sheet 8 of 8	