		PROJECT: DTA-2127	
		SHEET: CID	
SIZE: A4	DESIGNER: D. BALDOR	REVISION: 1	
SCALE: 1:1	DATE: 2020.09.08	SHEET: 1 OF 13	

4

3

2

1

D

D

C

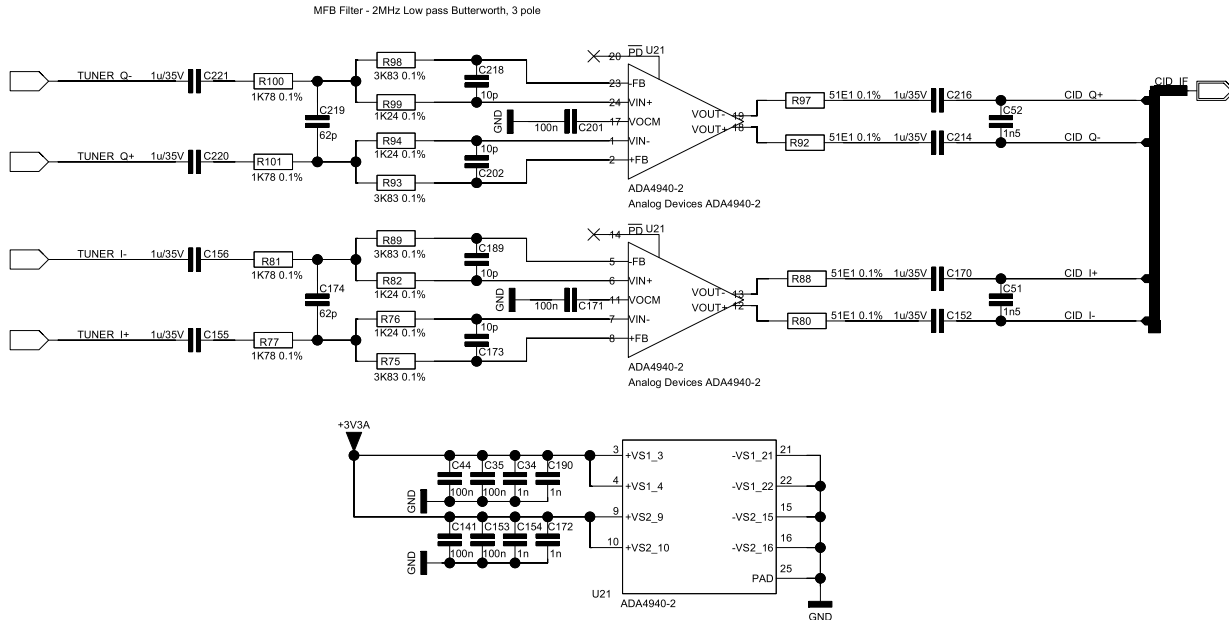
C

B

B

A

A



		PROJECT: DTA-2127	
		SHEET: LBandInput	
SIZE: A4	DESIGNER: D. BALDOR	REVISION: 1	
SCALE: 1:1	DATE: 2020.09.08	SHEET: 2 OF 13	