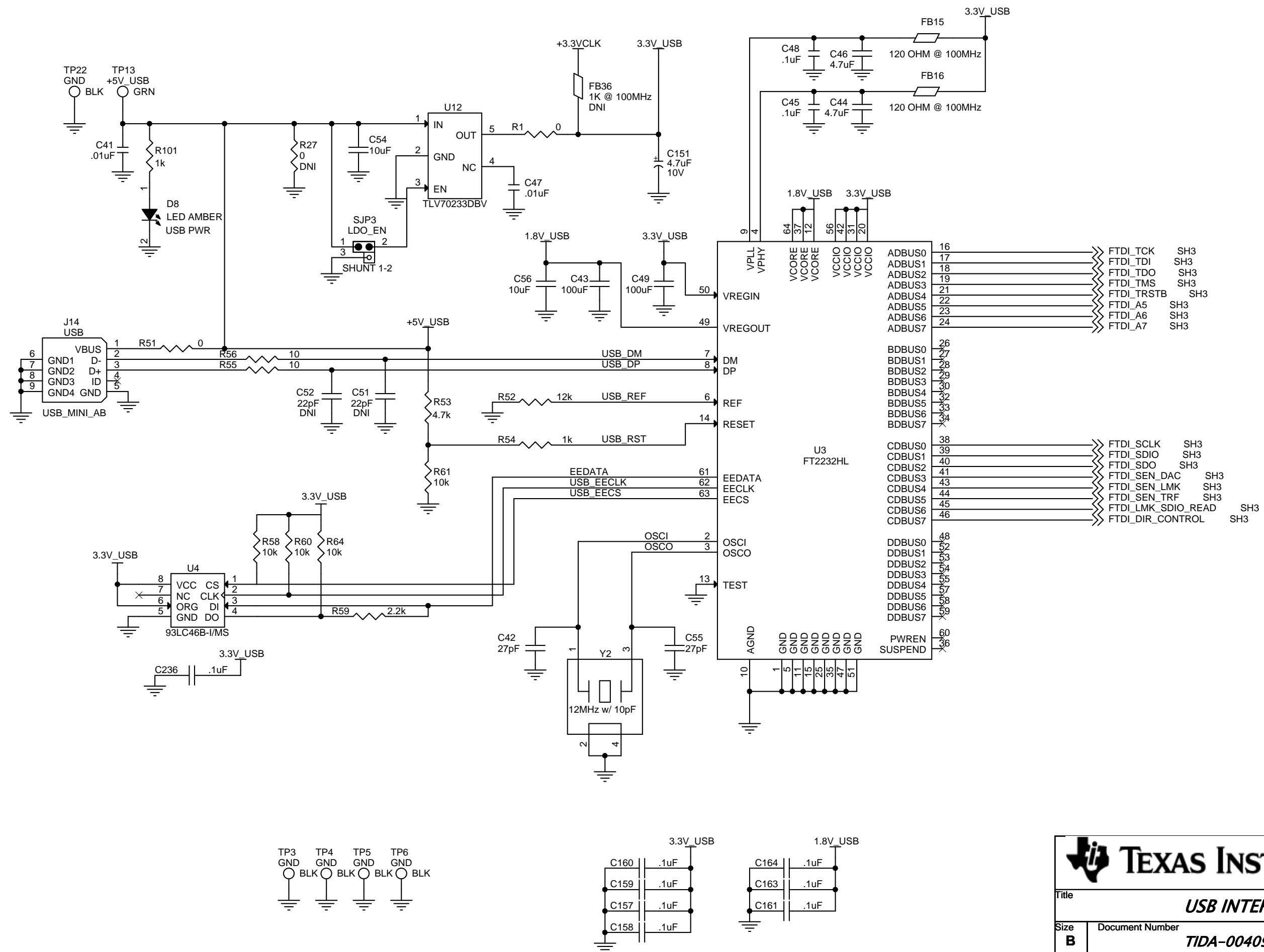


ti **TEXAS INSTRUMENTS**

Title: **BLOCK DIAGRAM**

Drawn: JV SMITH 02/13	Size B	Document Number TIDA-00409	Rev B
Engineer: M GUIBORD 02/13	Date: Friday, July 10, 2015	Sheet 1 of 14	

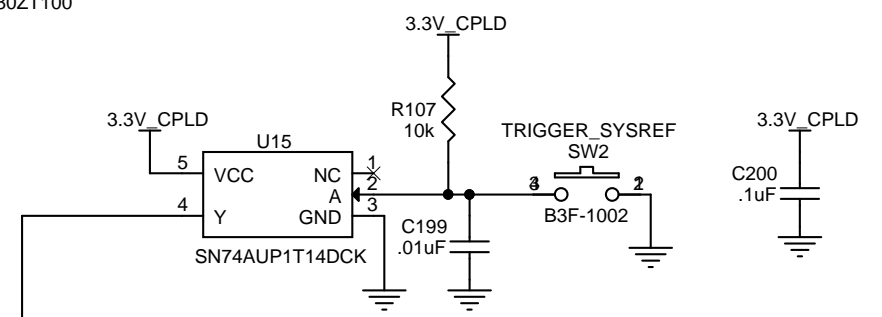
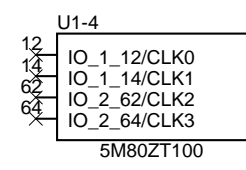
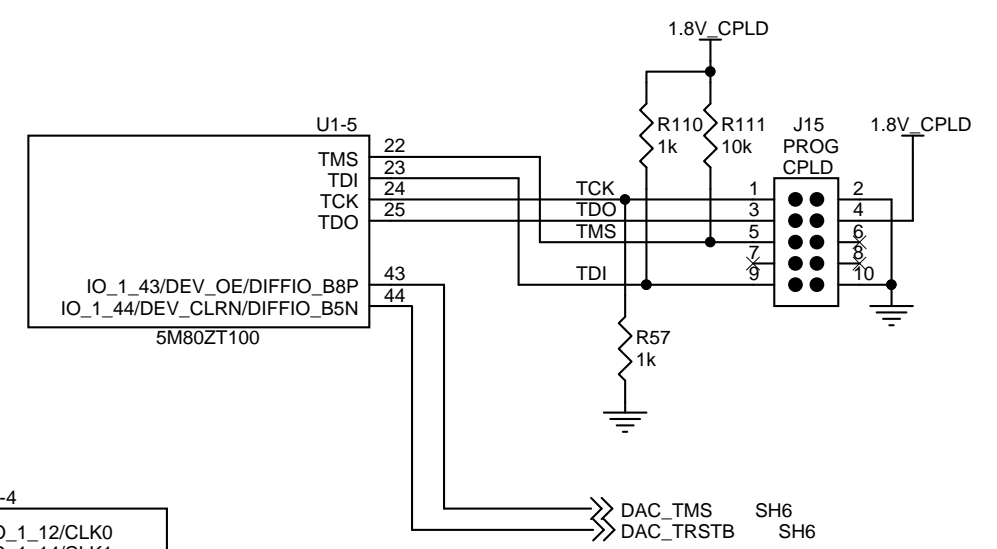
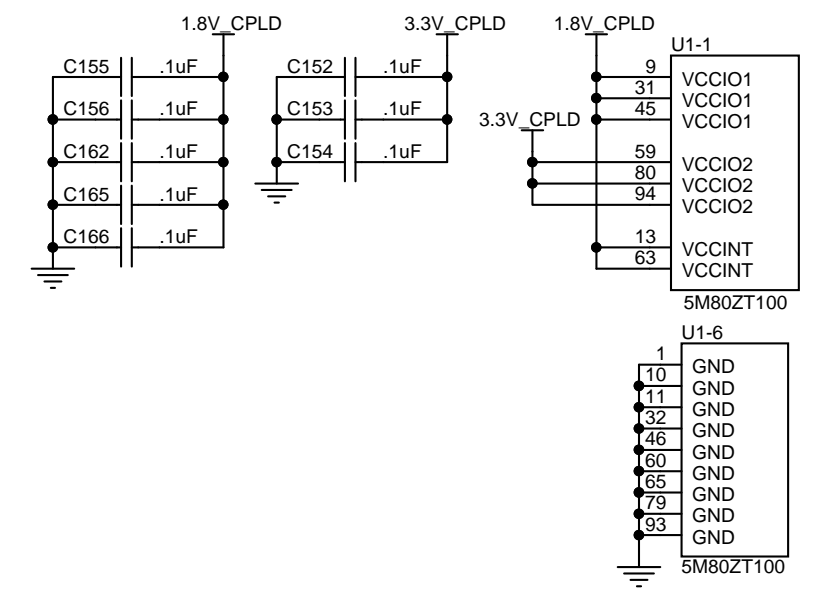
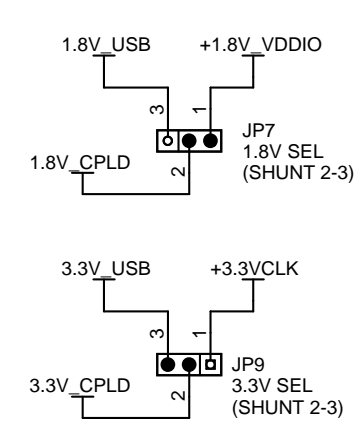
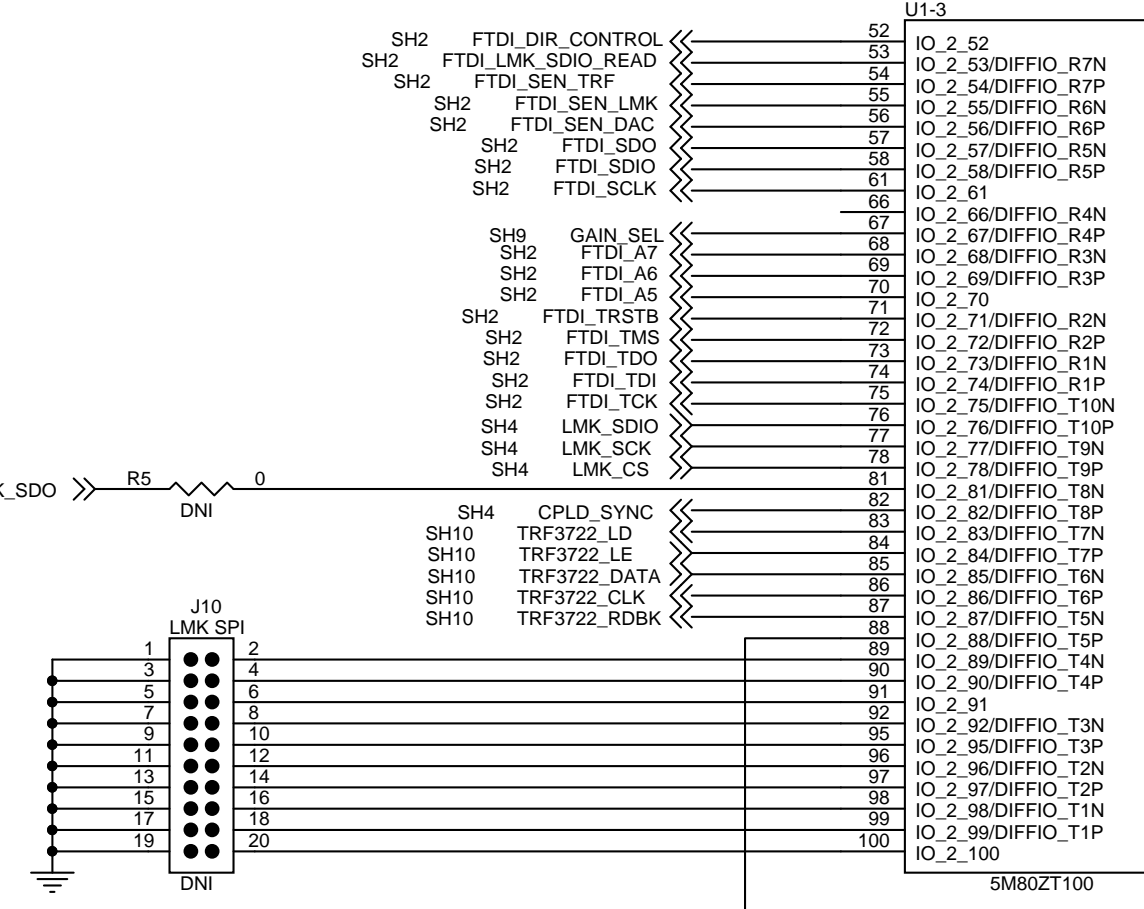
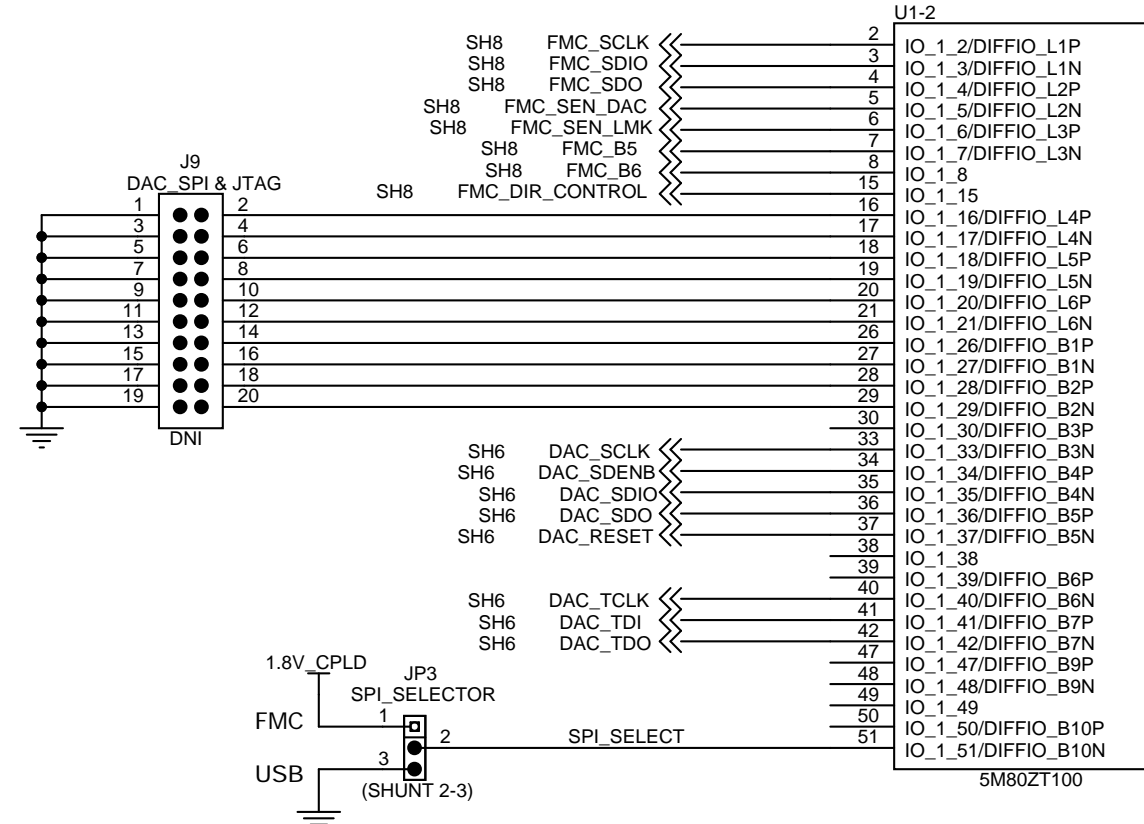


TEXAS INSTRUMENTS

Title: **USB INTERFACE**

Size **B** Document Number **TIDA-00409** Rev **B**

Date: Friday, July 10, 2015 Sheet 2 of 14

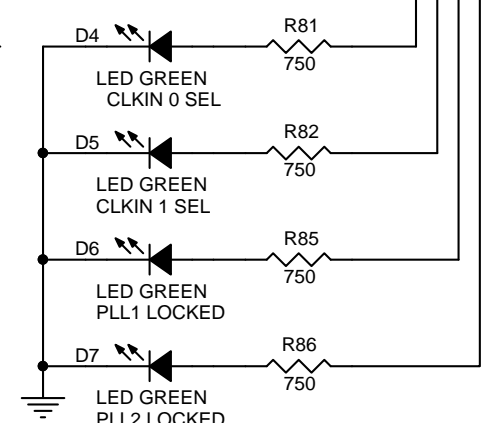
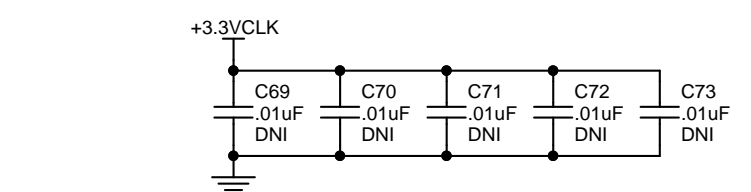
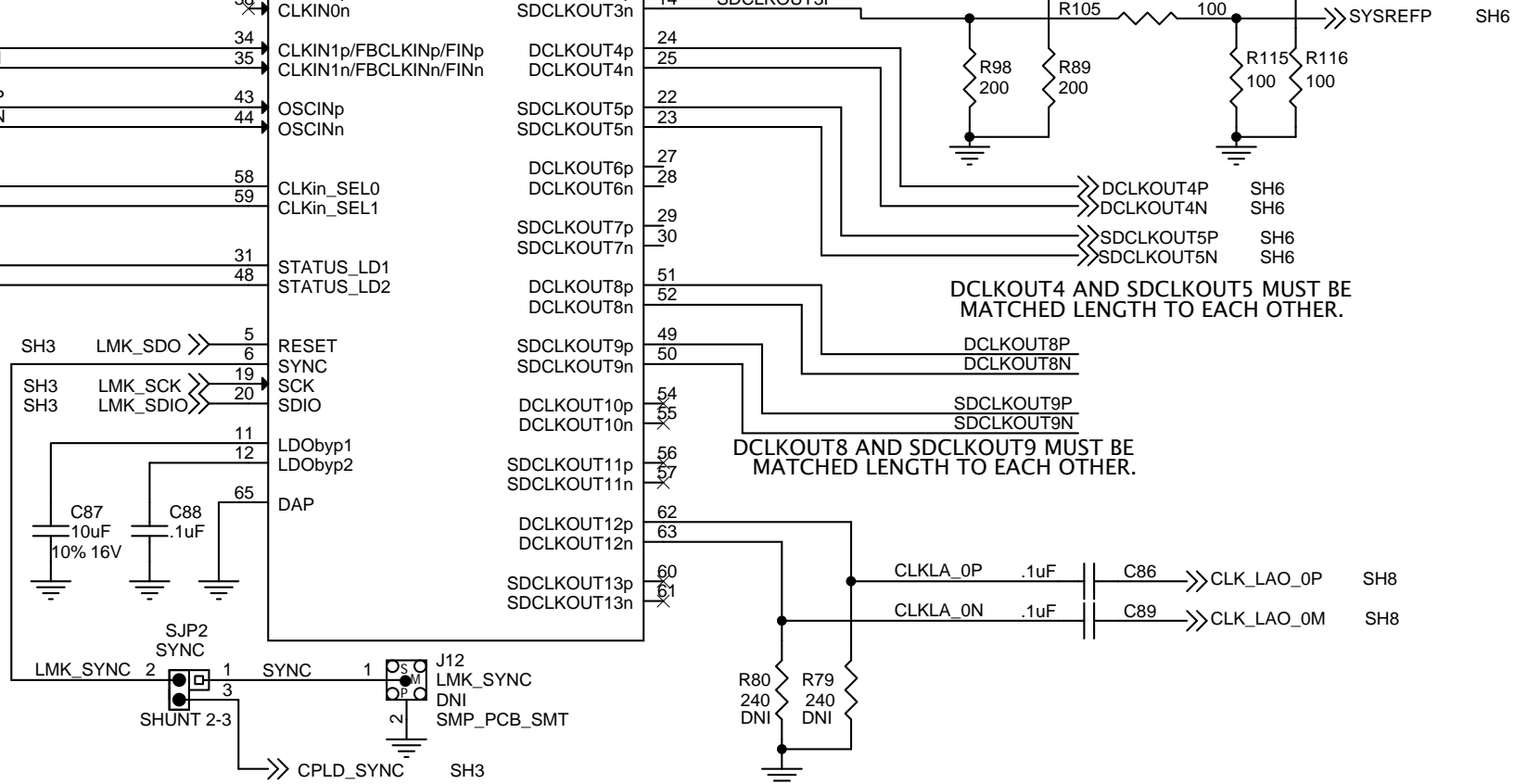
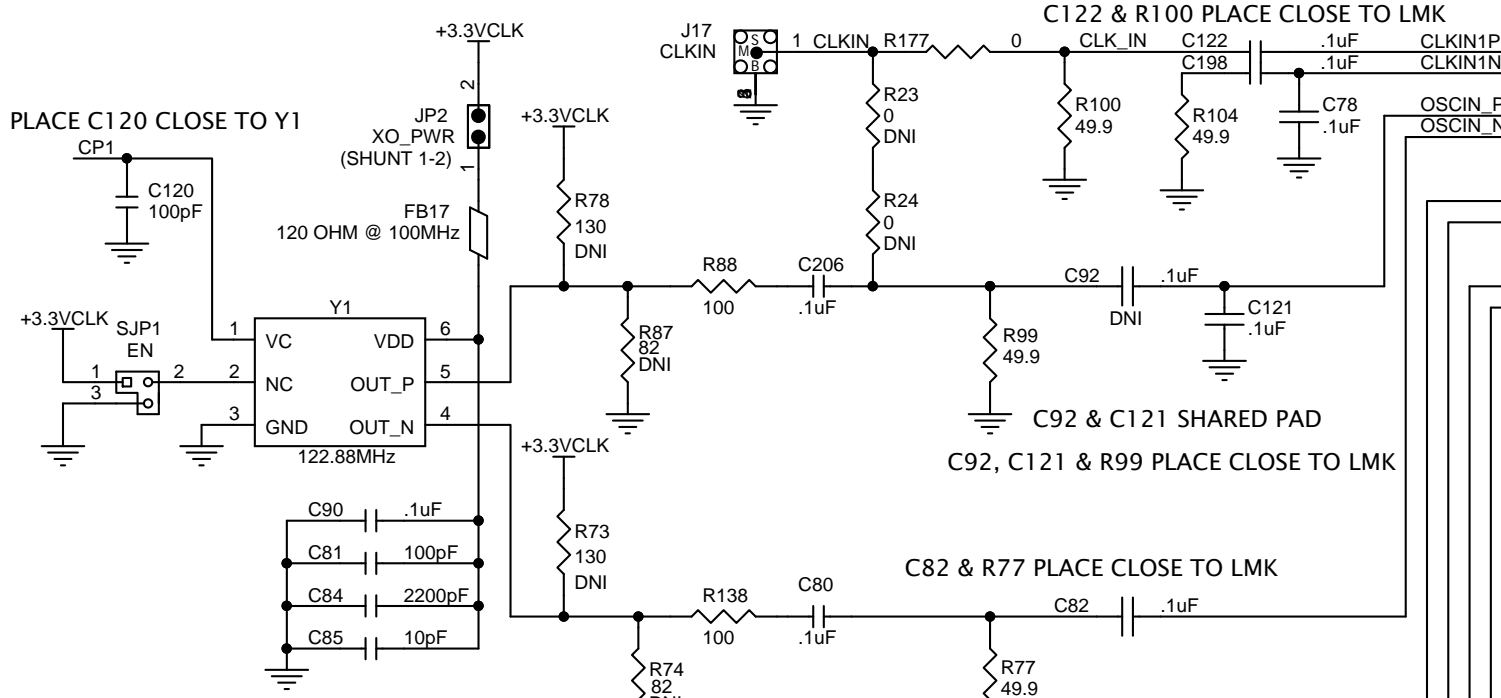
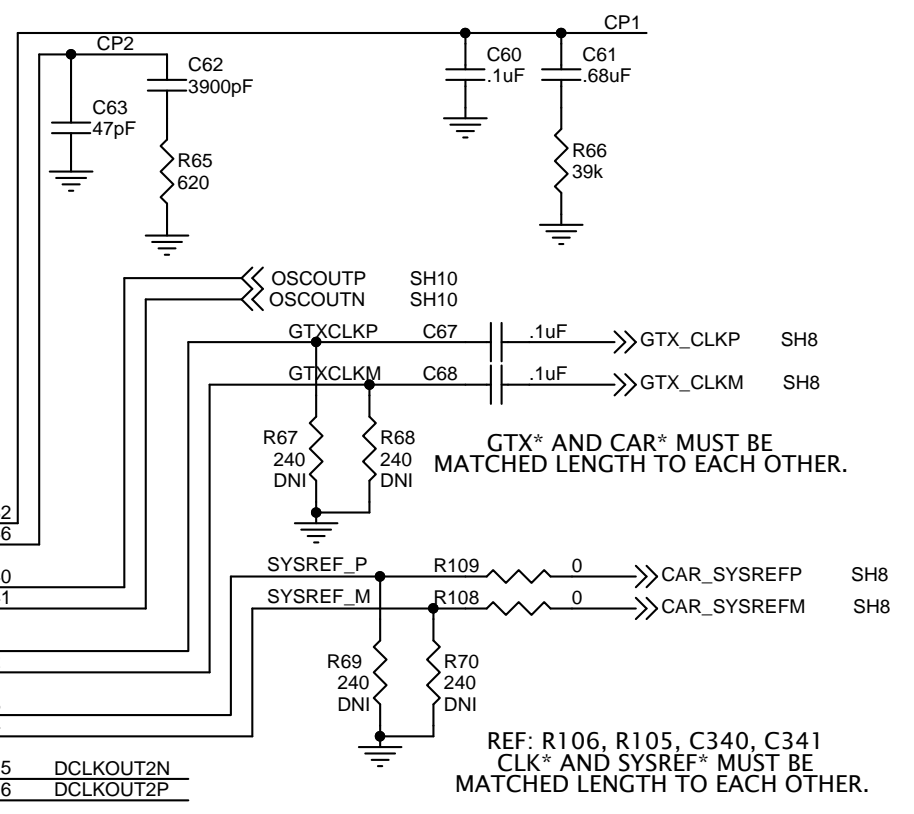
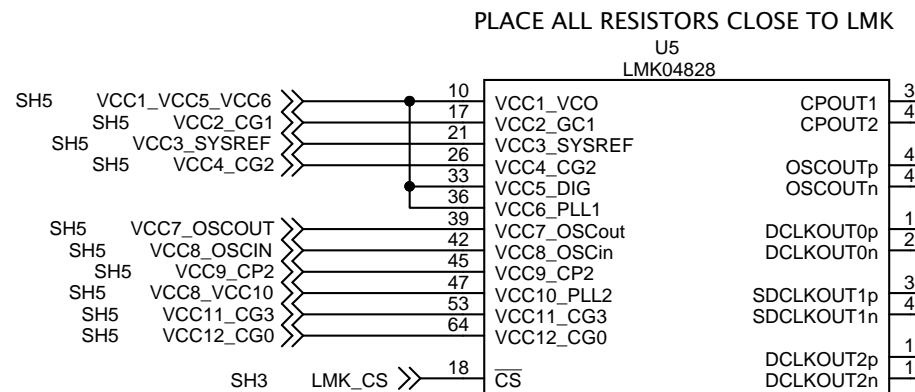
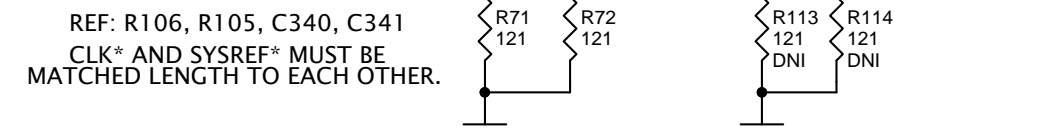
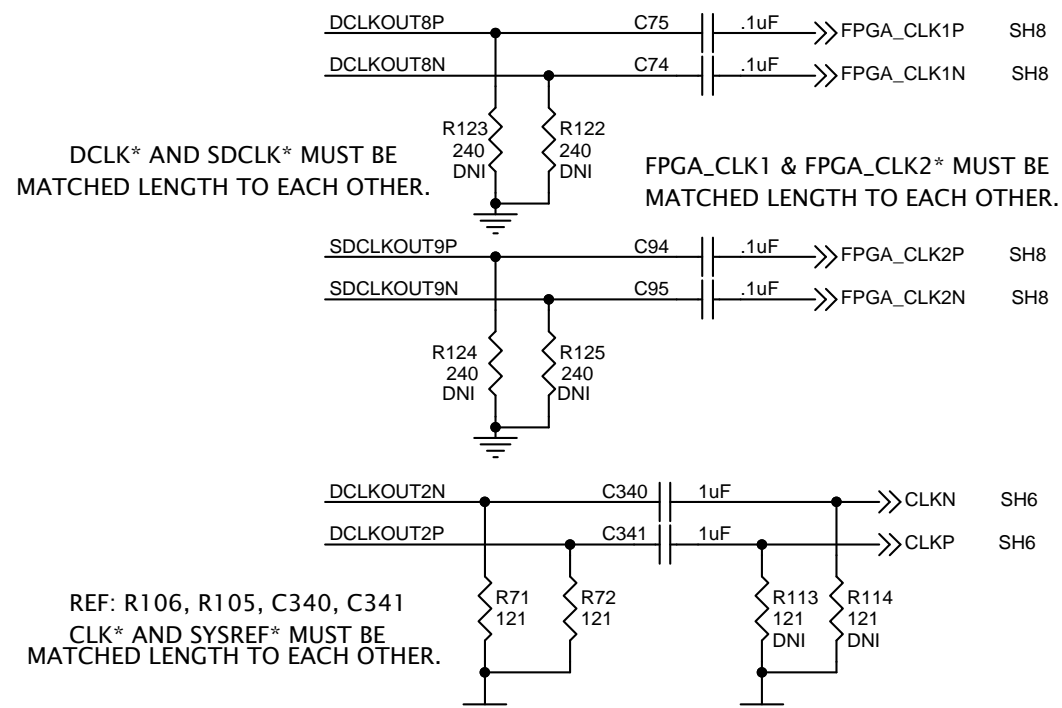


TEXAS INSTRUMENTS

Title: **CPLD**

Size: **B** | Document Number: **TIDA-00409** | Rev: **B**

Date: **Friday, July 10, 2015** | Sheet: **3** of **14**



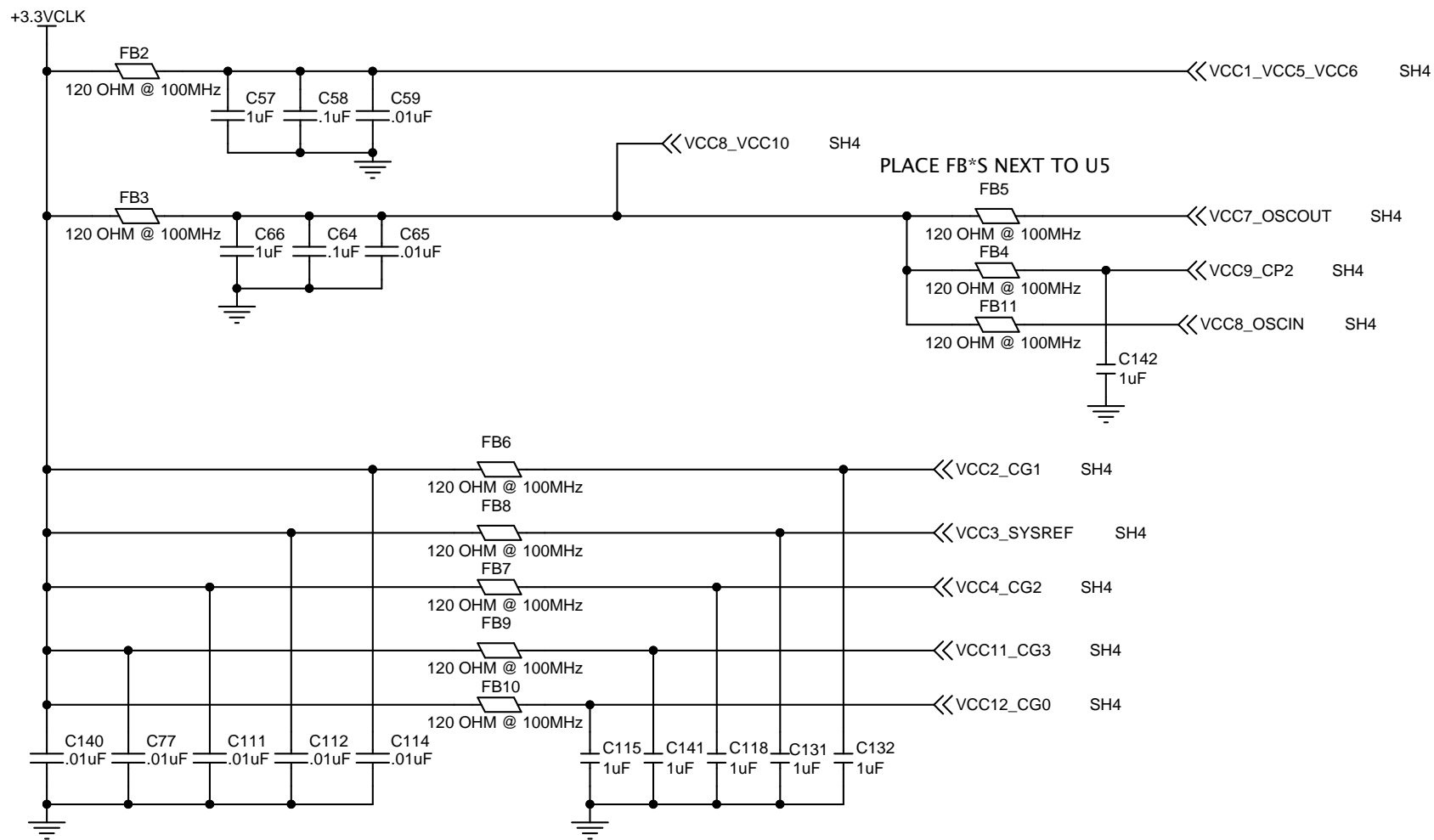
TEXAS INSTRUMENTS

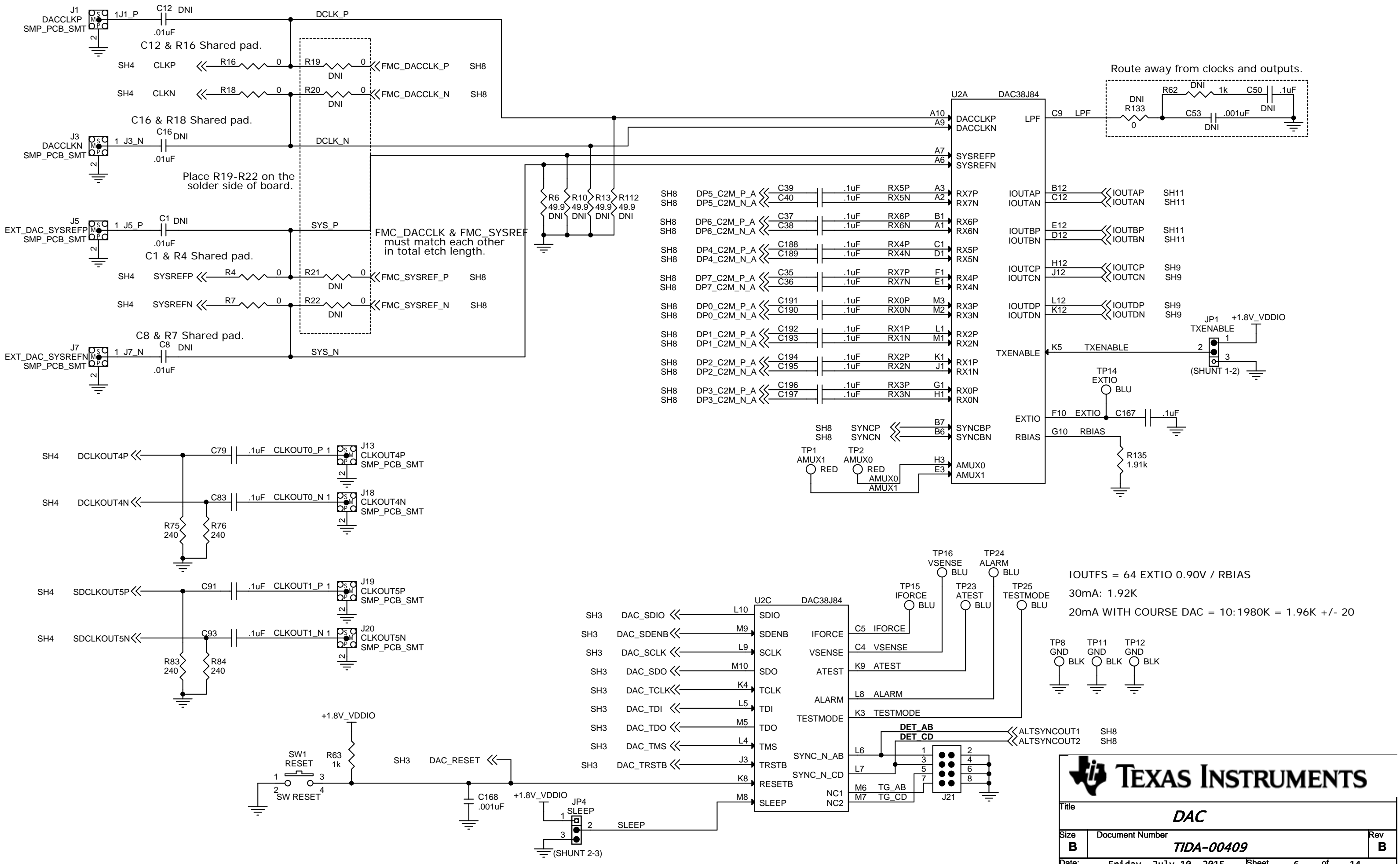
12500 TI Boulevard, Dallas, Texas 75243

CLOCK

Document Number: **TIDA-00409**

Date: Friday, July 10, 2015 Sheet 4 of 14

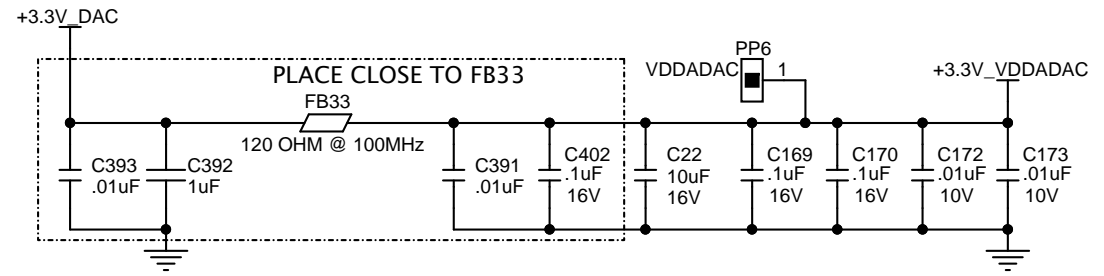
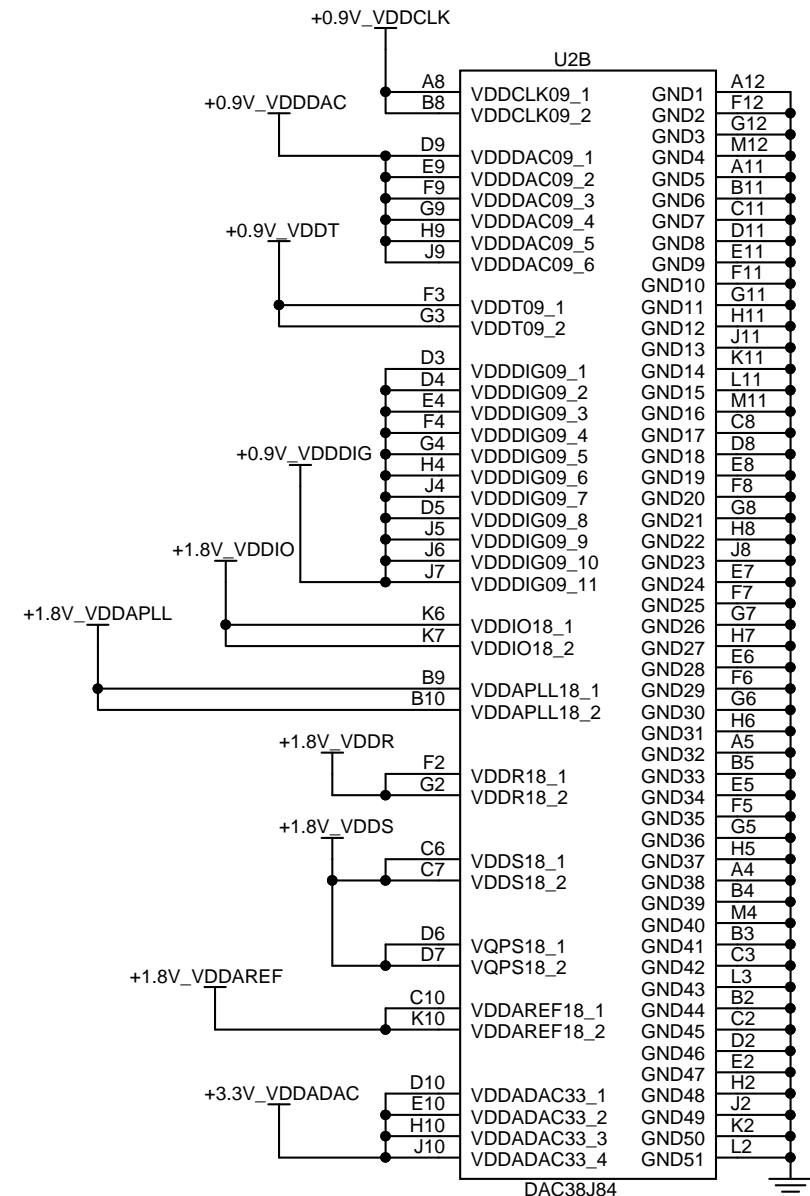
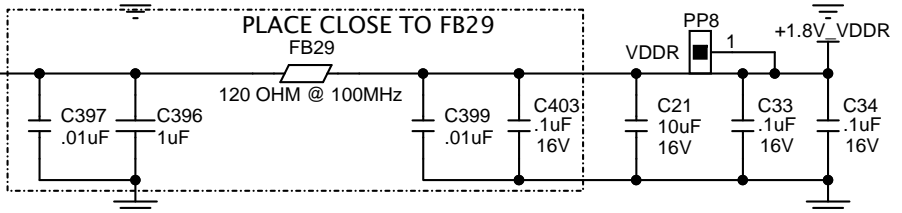
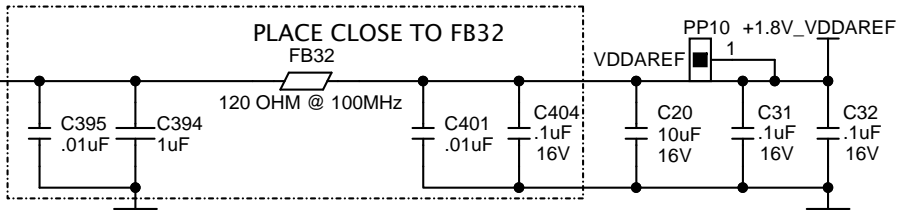
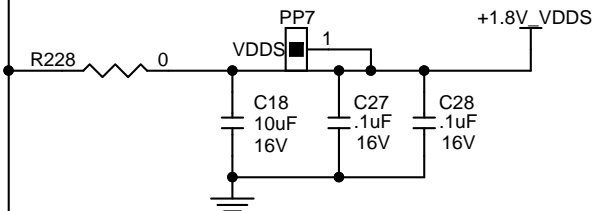
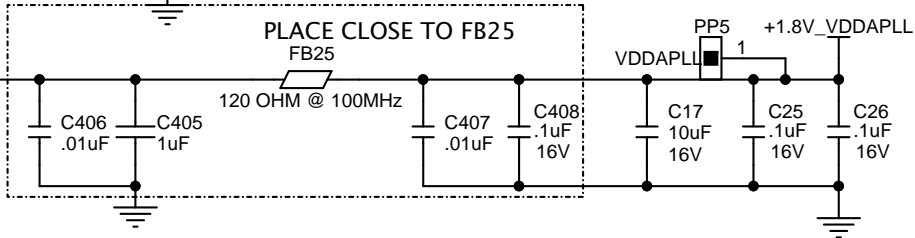
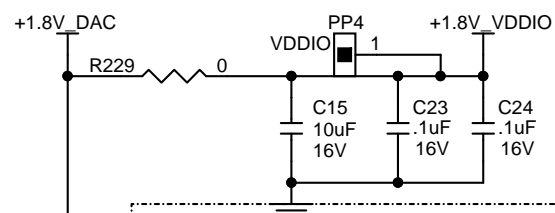
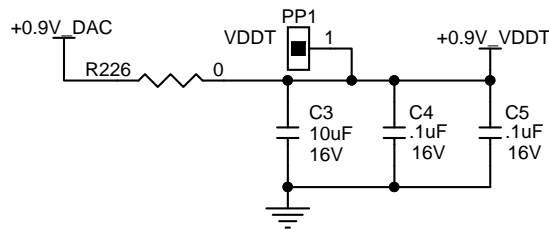
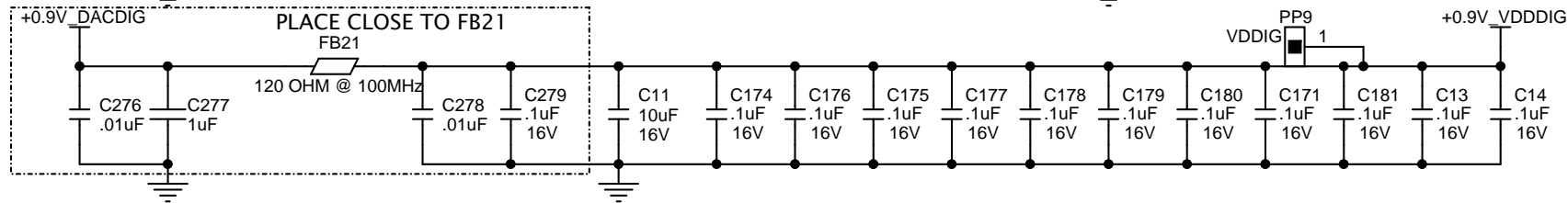
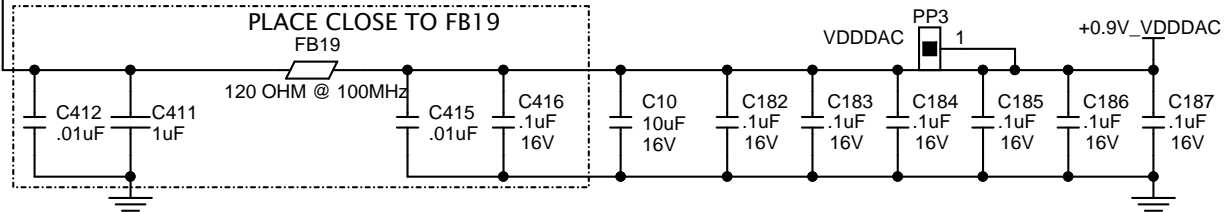
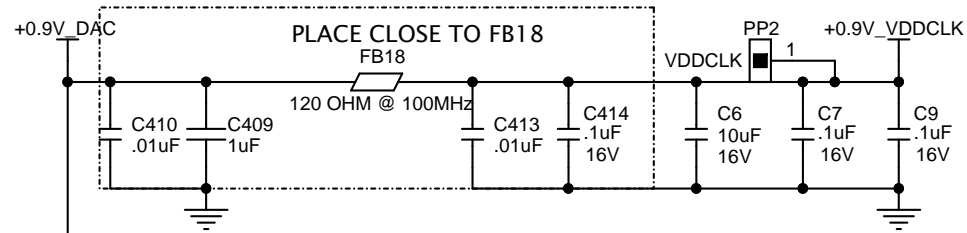




TEXAS INSTRUMENTS

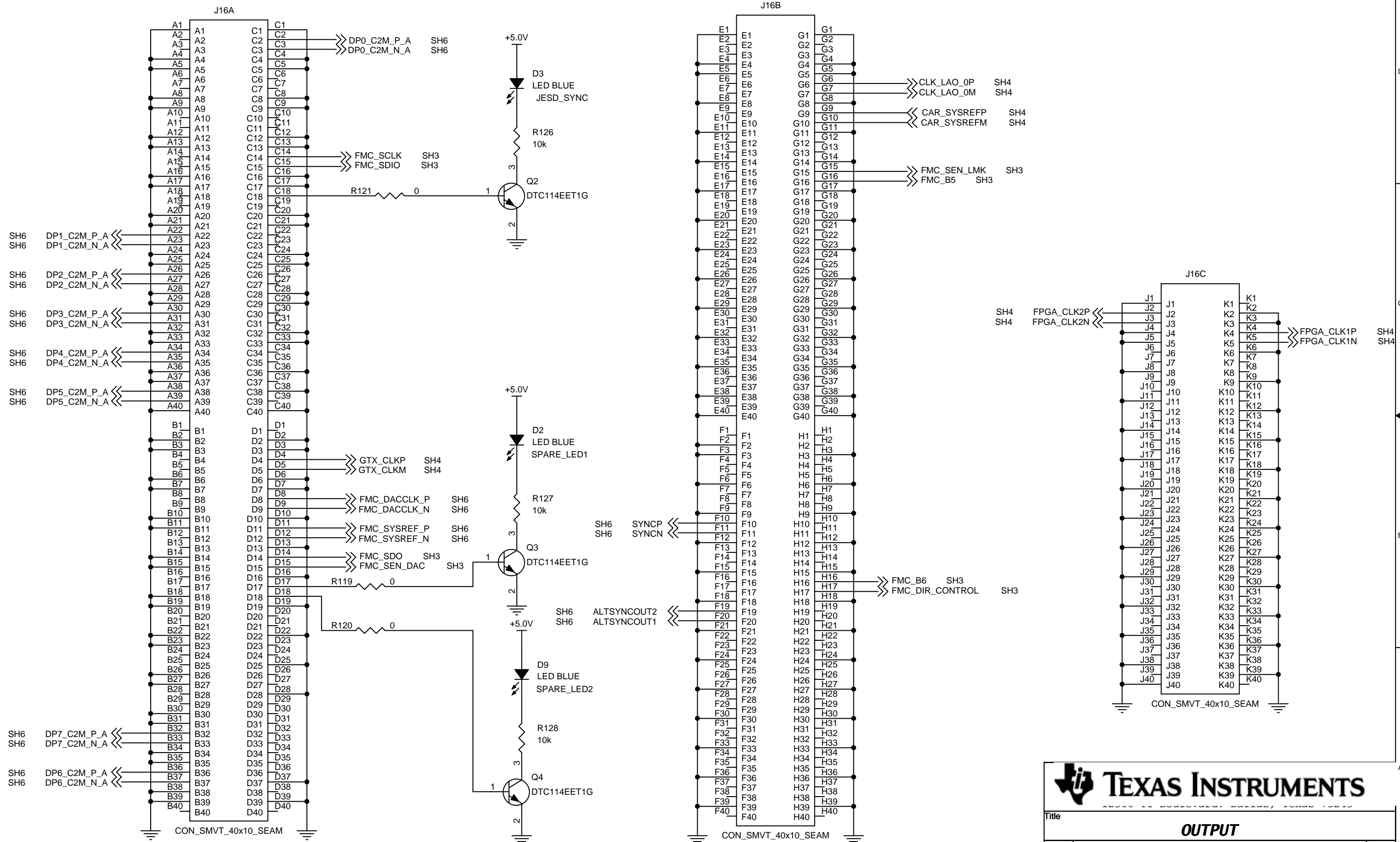
DAC

Size	Document Number	Rev
B	TIDA-00409	B
Date:	Friday, July 10, 2015	Sheet 6 of 14



Title			DAC		
Size	Document Number				Rev
B	TIDA-00409				B
Date:	Friday, July 10, 2015	Sheet	7	of	14

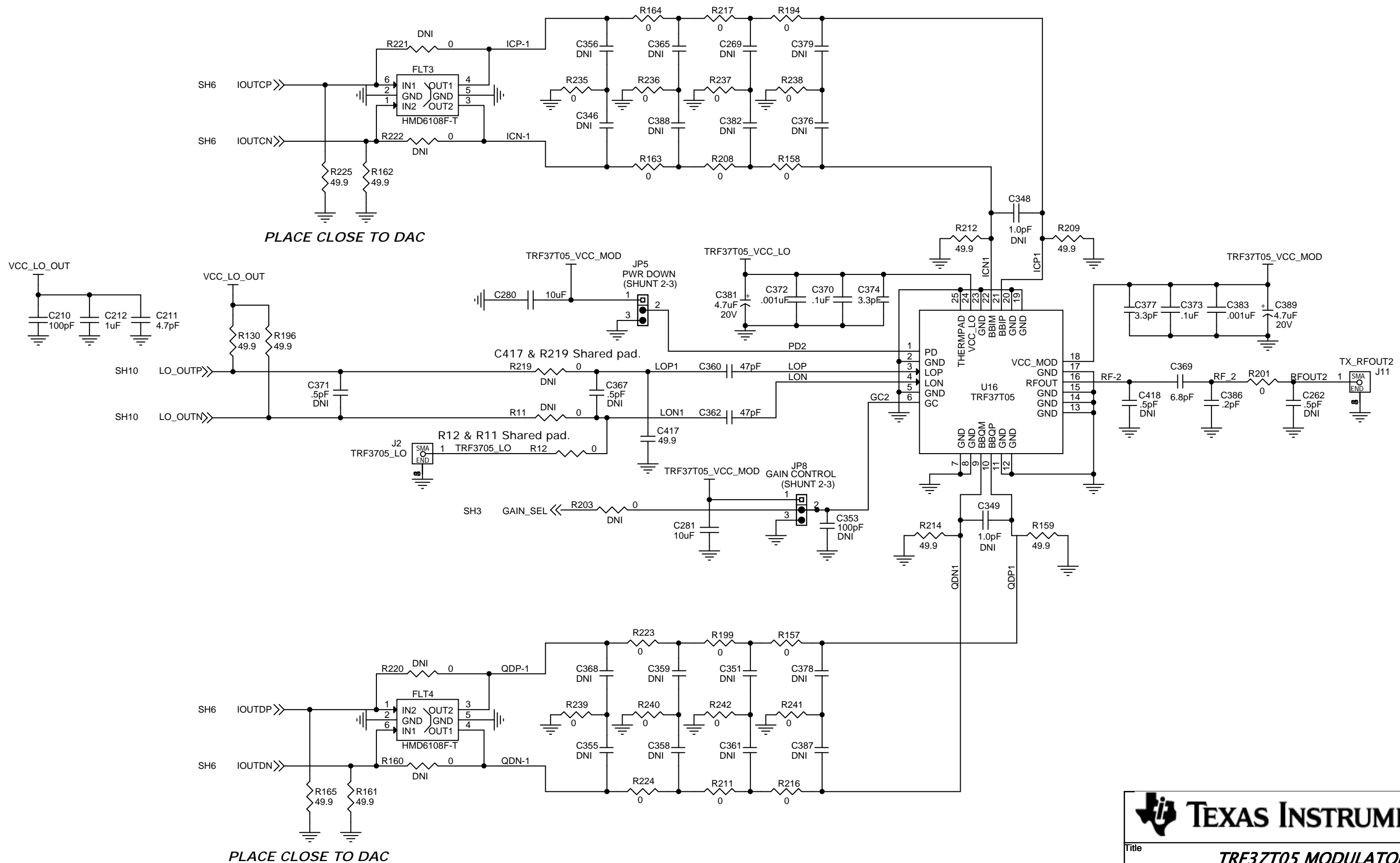
MATES W/ XILINX FMC CONNECTOR - J22



TEXAS INSTRUMENTS
 12000 TI Boulevard, Dallas, Texas 75243

OUTPUT

Size B	Document Number TIDA-00409	Rev B
Date: Friday, July 10, 2015	Sheet 8	of 14

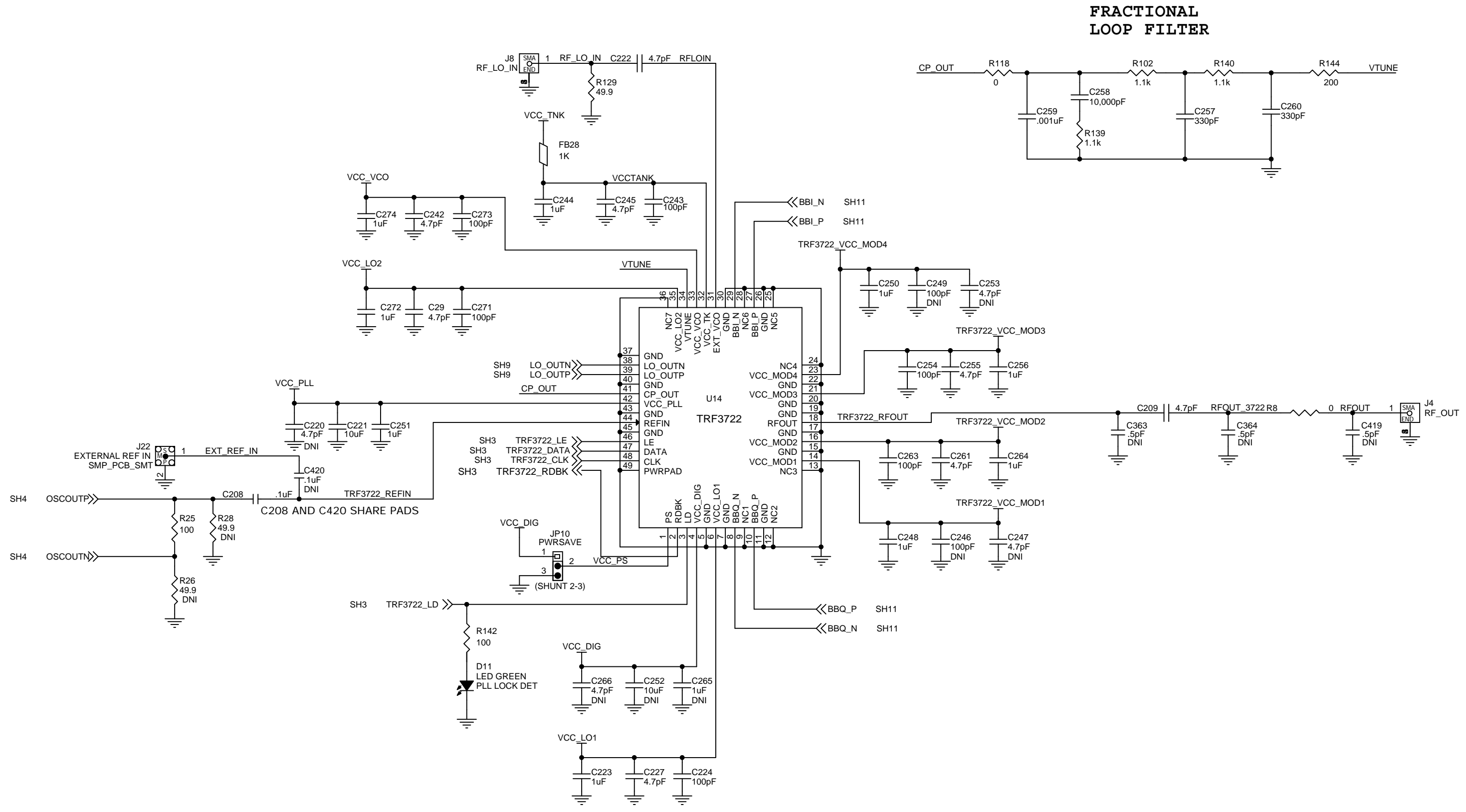


TEXAS INSTRUMENTS

Title: **TRF37T05 MODULATOR**

Size B	Document Number TIDA-00409	Rev B
---------------	-----------------------------------	--------------

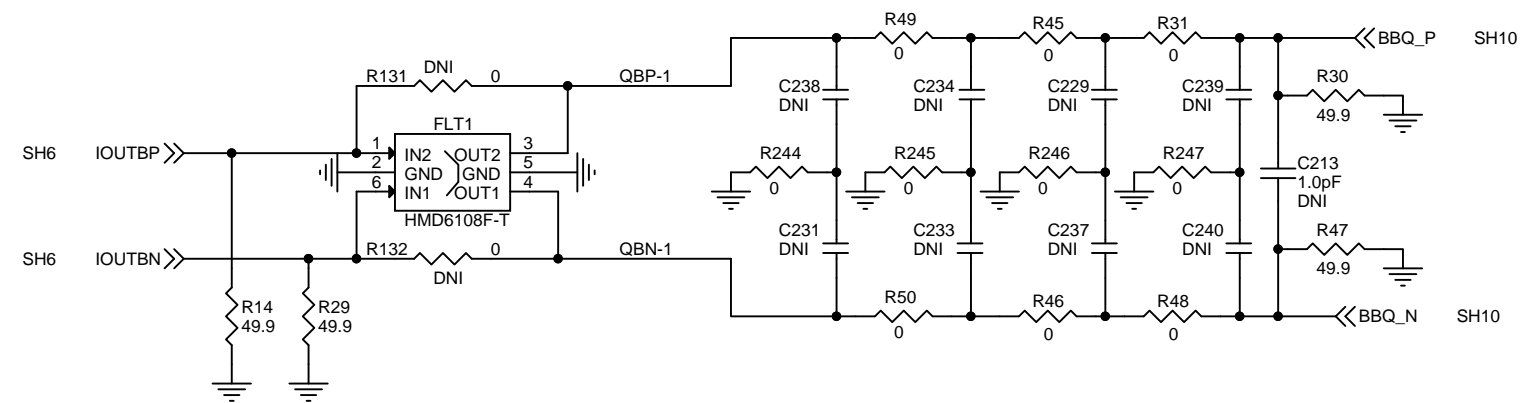
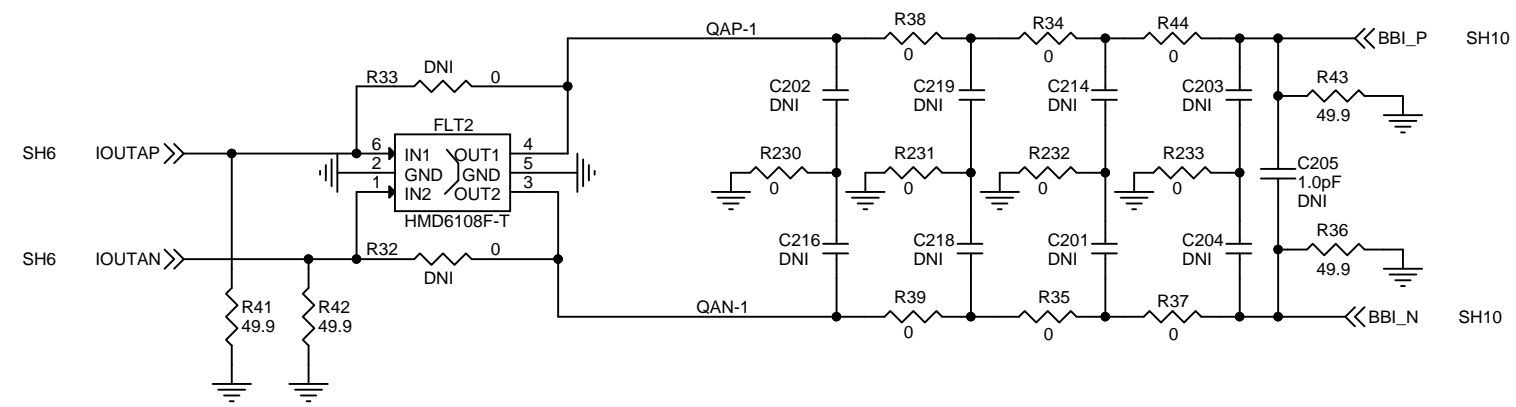
Date: Friday, July 10, 2015 Sheet 9 of 14



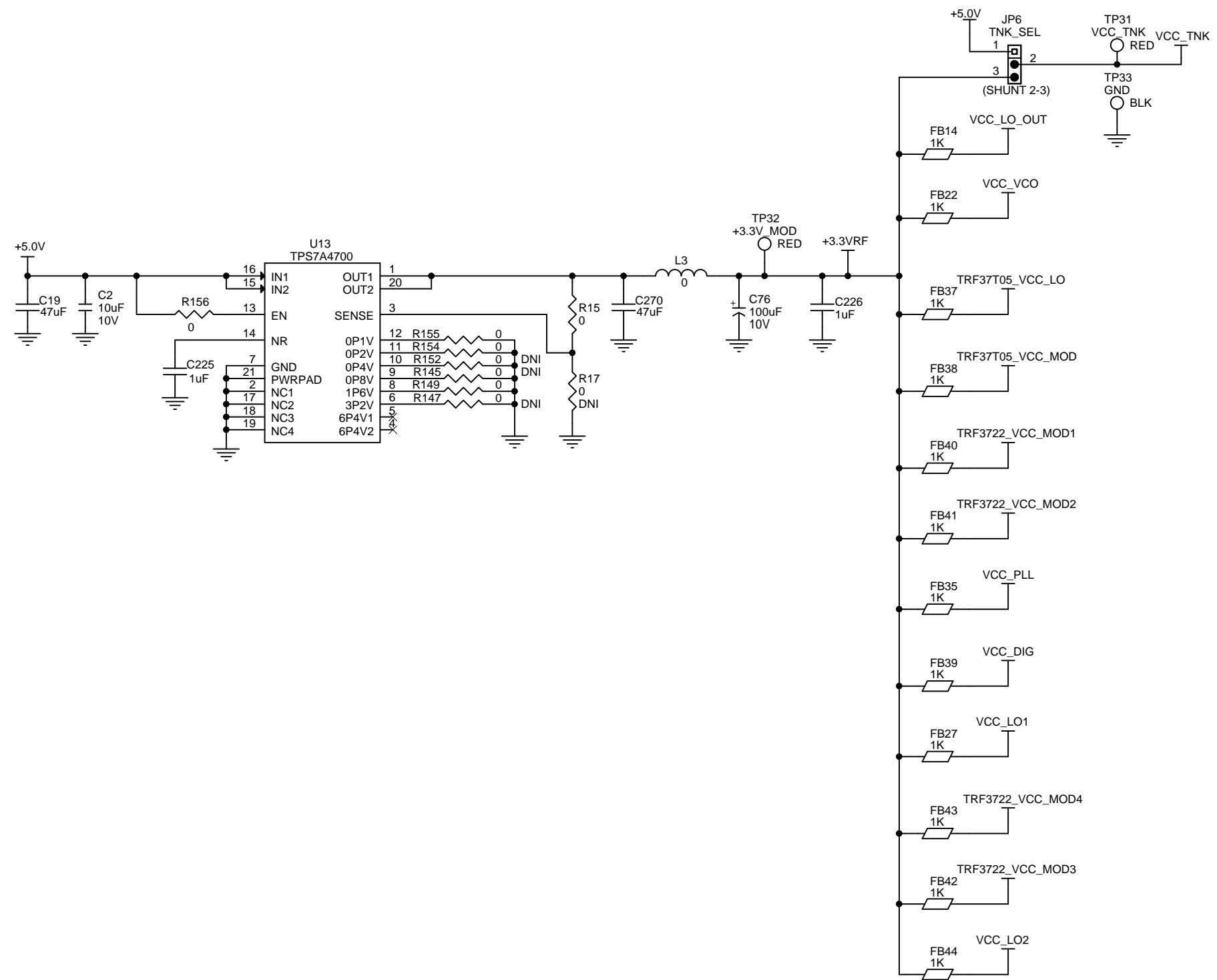
FRACTIONAL LOOP FILTER



Title TRF3722 MODULATOR		
Size B	Document Number TIDA-00409	Rev B
Date: Friday, July 10, 2015 Sheet 10 of 14		



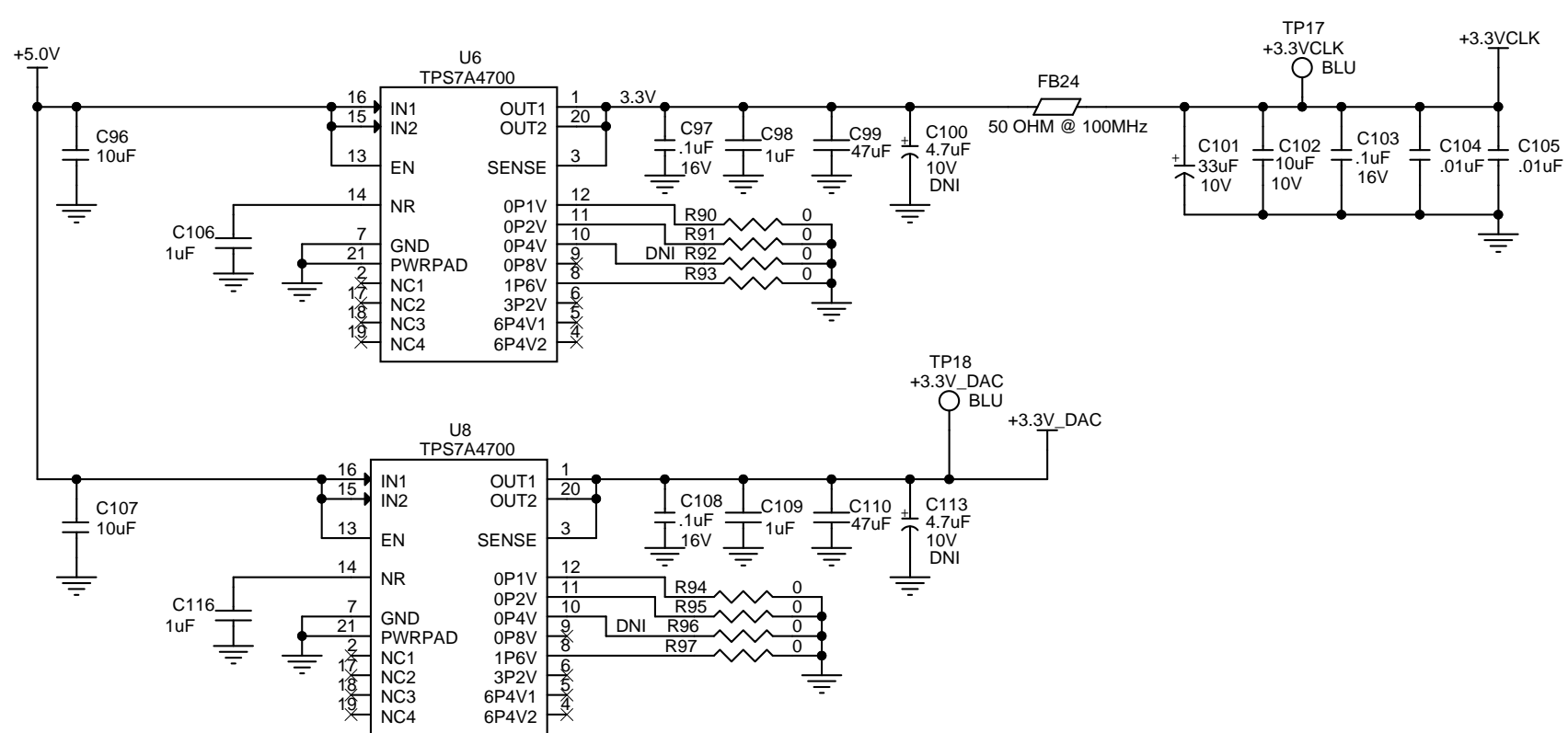
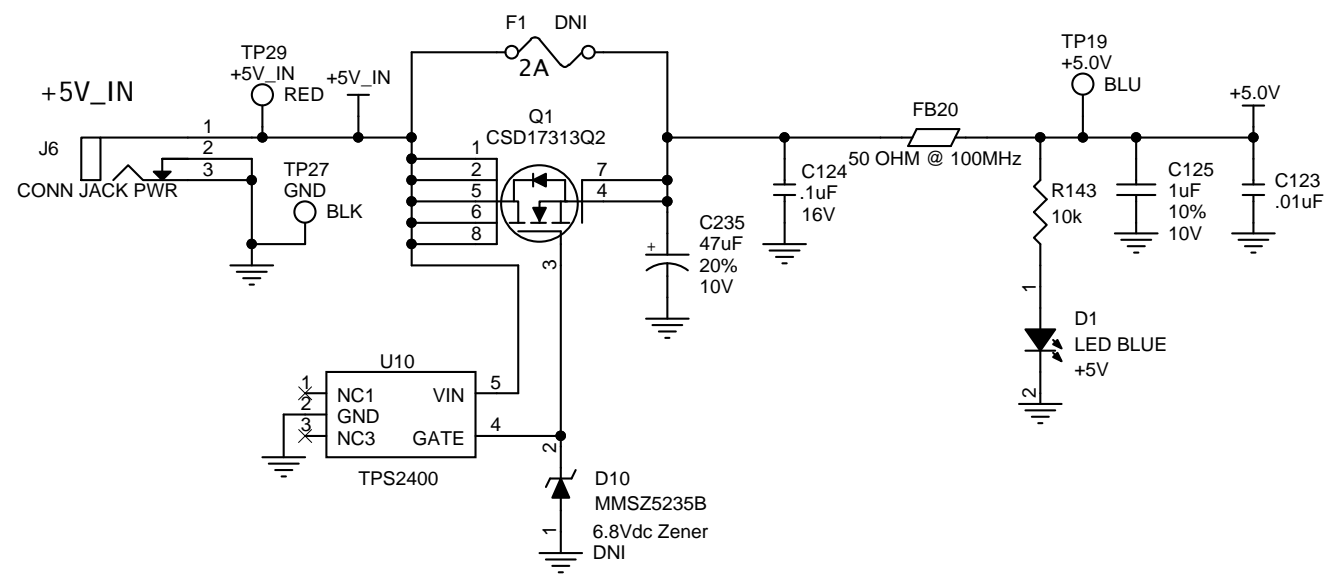
NOTE 1:
Place as close to the modulator as possible



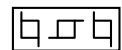
TEXAS INSTRUMENTS

Title: **MODULATOR PWR**

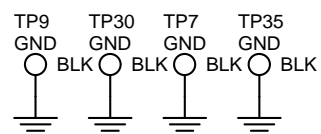
Size: B	Document Number: TIDA-00409	Rev: B
Date: Friday, July 10, 2015 Sheet 12 of 14		



BARE BOARD, TSW38J84



- | | | | |
|---|-----------------------------------|---|-----------------------------------|
| <p>MT1
STANDOFF, FEMALE, 4-40 x 1 3/16"</p> | <p>SCREW, PHIL, 4-40x3/4", SS</p> | <p>MT5
STANDOFF, FEMALE, 4-40 x 1 3/16"</p> | <p>SCREW, PHIL, 4-40x3/4", SS</p> |
| <p>MT2
STANDOFF, FEMALE, 4-40 x 1 3/16"</p> | <p>SCREW, PHIL, 4-40x3/4", SS</p> | <p>MT6
STANDOFF, FEMALE, 4-40 x 1 3/16"</p> | <p>SCREW, PHIL, 4-40x3/4", SS</p> |
| <p>MT3
STANDOFF, FEMALE, 4-40 x 1 3/16"</p> | <p>SCREW, PHIL, 4-40x3/4", SS</p> | <p>MT7
STANDOFF, FEMALE, 4-40 x 1 3/16"</p> | <p>SCREW, PHIL, 4-40x3/4", SS</p> |
| <p>MT4
STANDOFF, FEMALE, 4-40 x 1 3/16"</p> | <p>SCREW, PHIL, 4-40x3/4", SS</p> | <p>MT8
STANDOFF, FEMALE, 4-40 x 1 3/16"</p> | <p>SCREW, PHIL, 4-40x3/4", SS</p> |



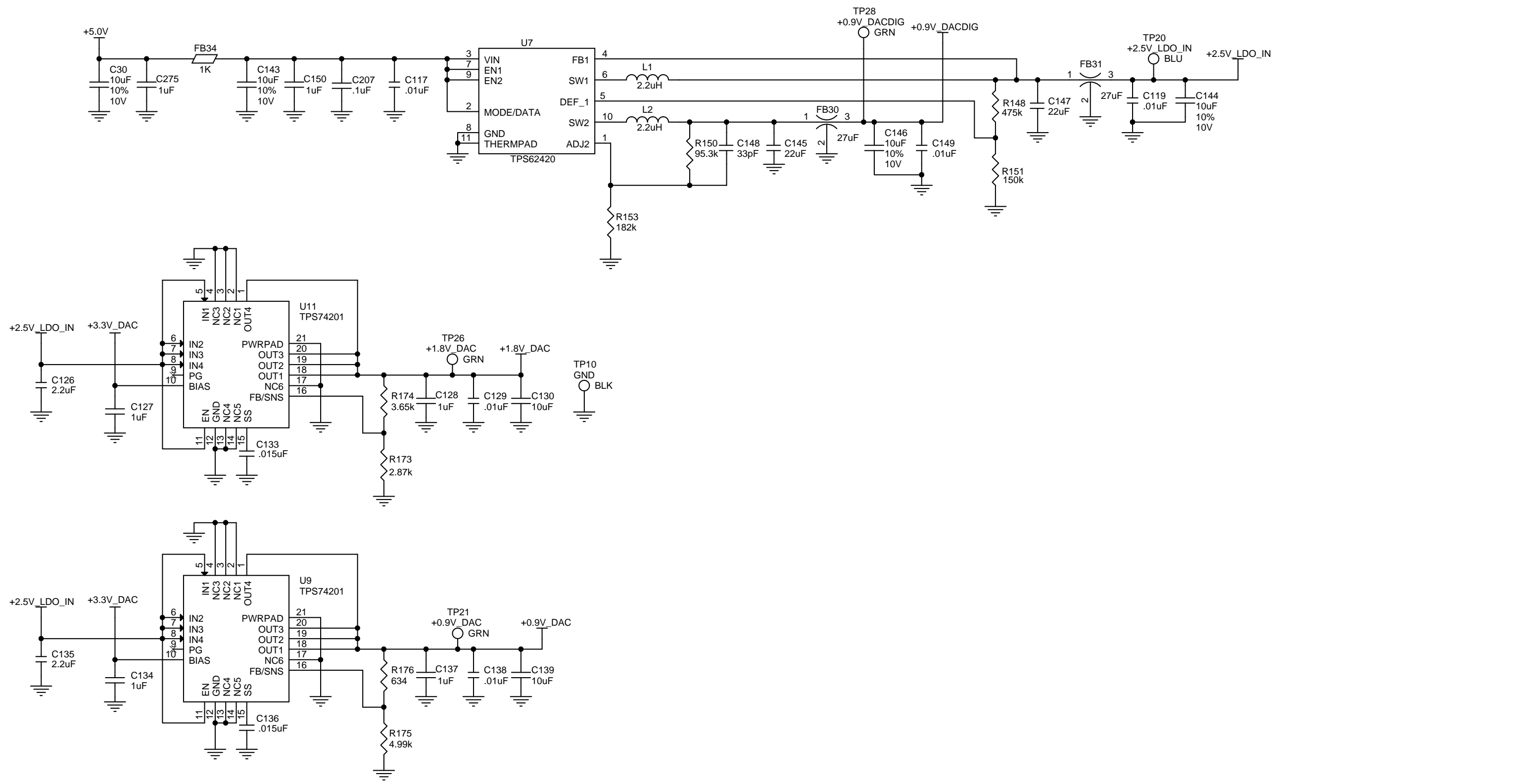
TEXAS INSTRUMENTS

12500 TI Boulevard, Dallas, Texas 75243

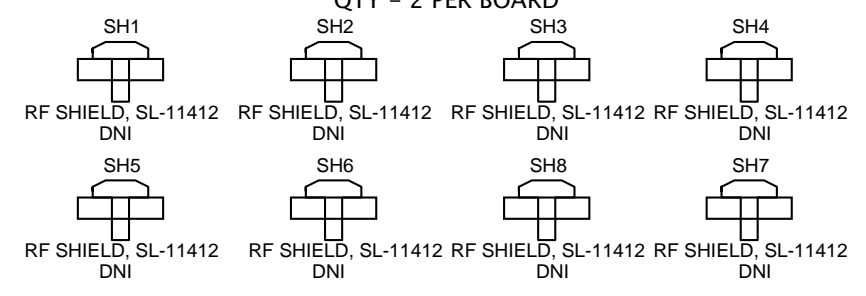
MAIN POWER

Document Number: **TIDA-00409**

Date: Friday, July 10, 2015 Sheet 13 of 14



LEADER TECH RF SHIELD P/N SL-11412
QTY - 2 PER BOARD



Size B	Document Number TIDA-00409	Rev B
Date: Friday, July 10, 2015 Sheet 14 of 14		