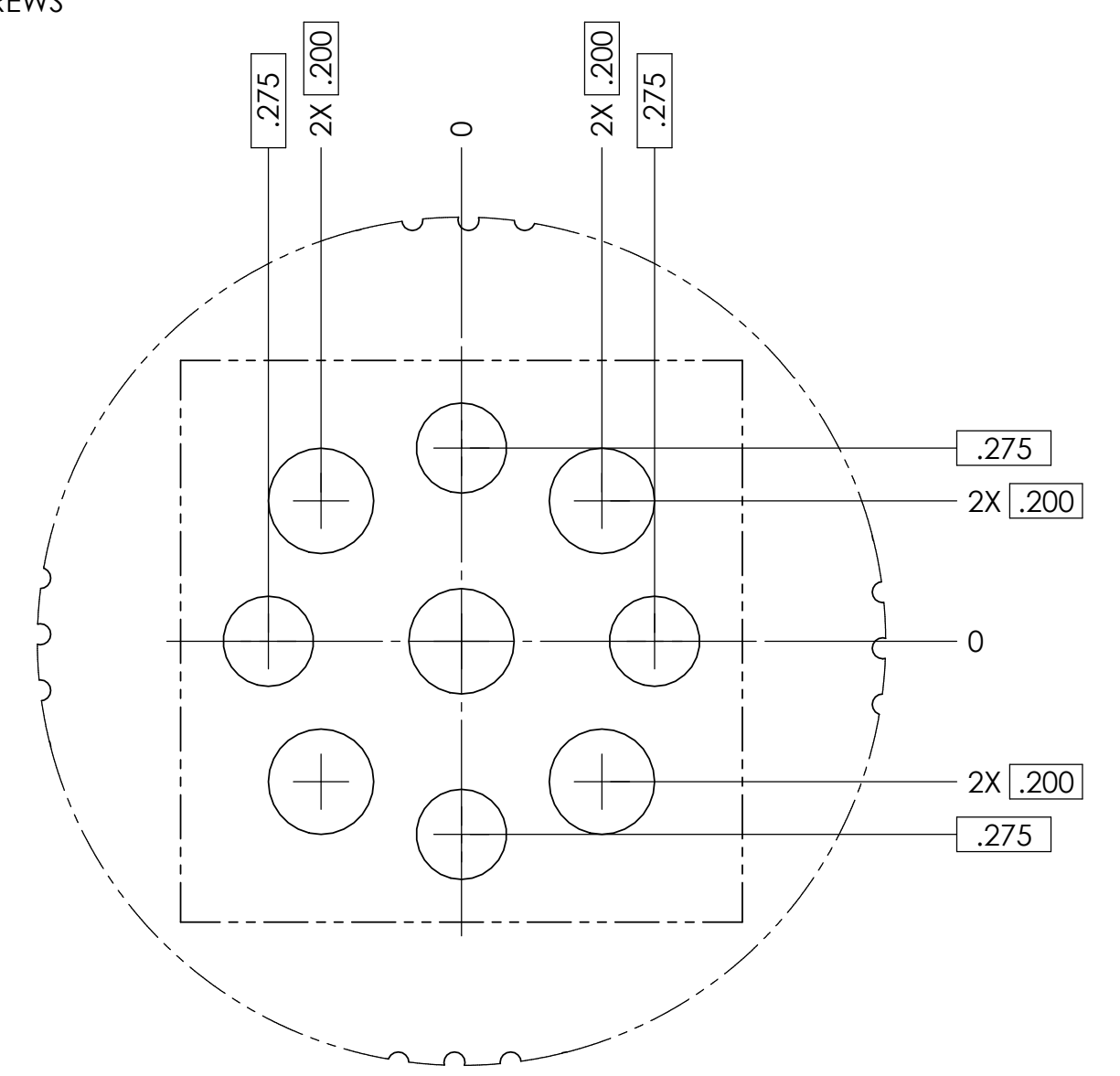
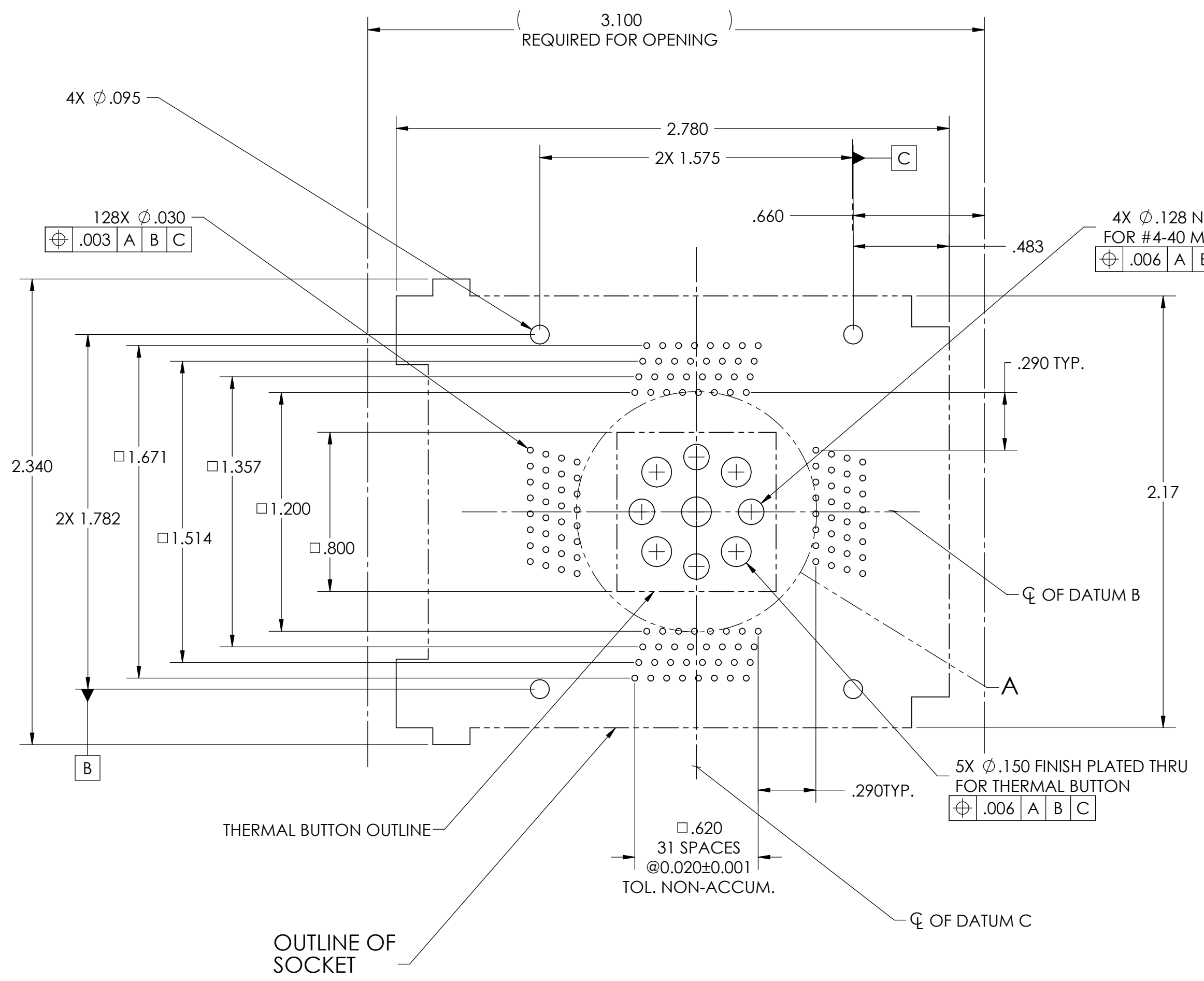


REVISIONS				
REV	ECN	DESCRIPTION	DATE	BY
A	06-0084	INITIAL RELEASE	02/08/06	JHE
A1	06-0143	ADDED NOTE 5 AND 6	03/01/06	JHE
B	06-0197	DIM .116 WAS NOT THERE (SHEET 2), BOM CHANGED (SHEET 3)	03/27/06	JHE



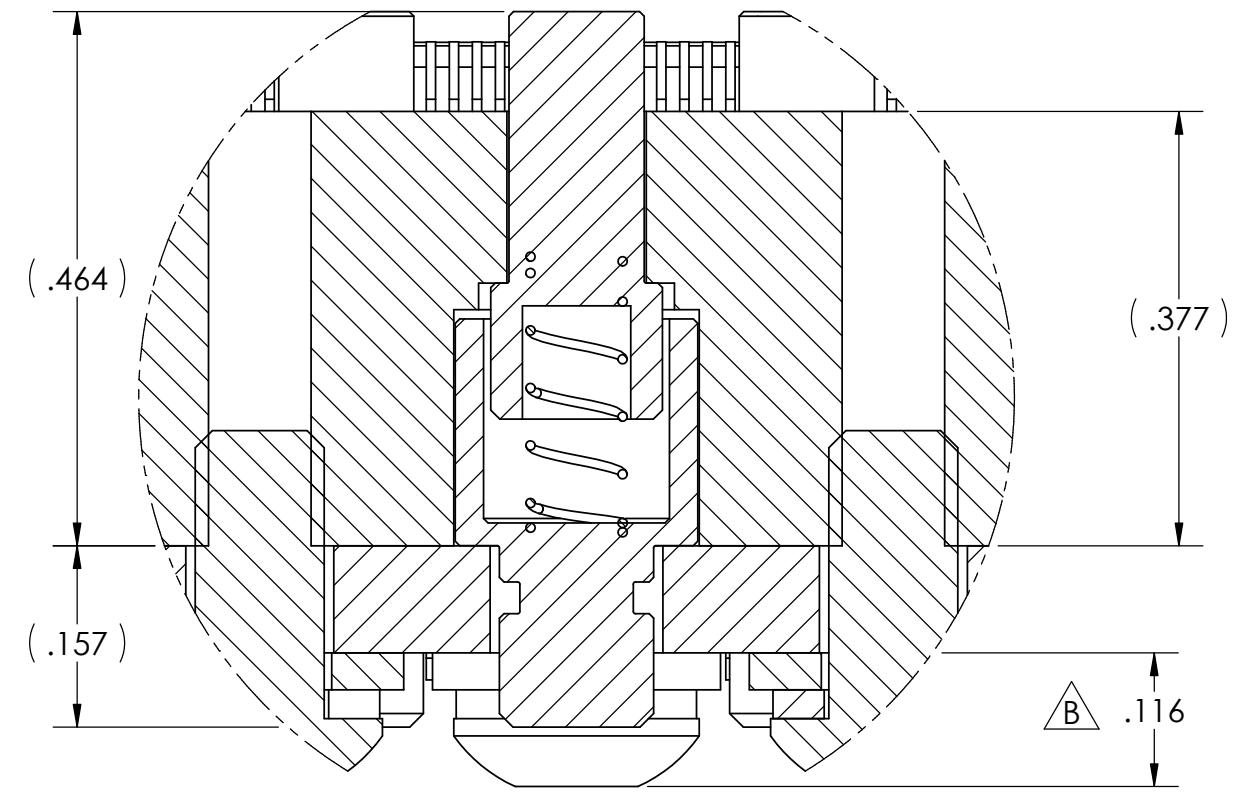
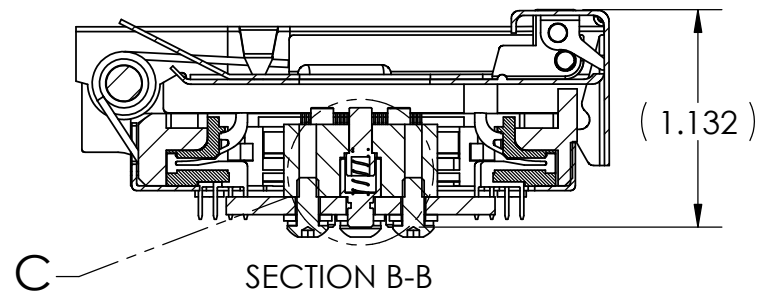
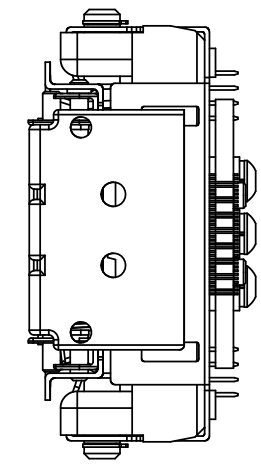
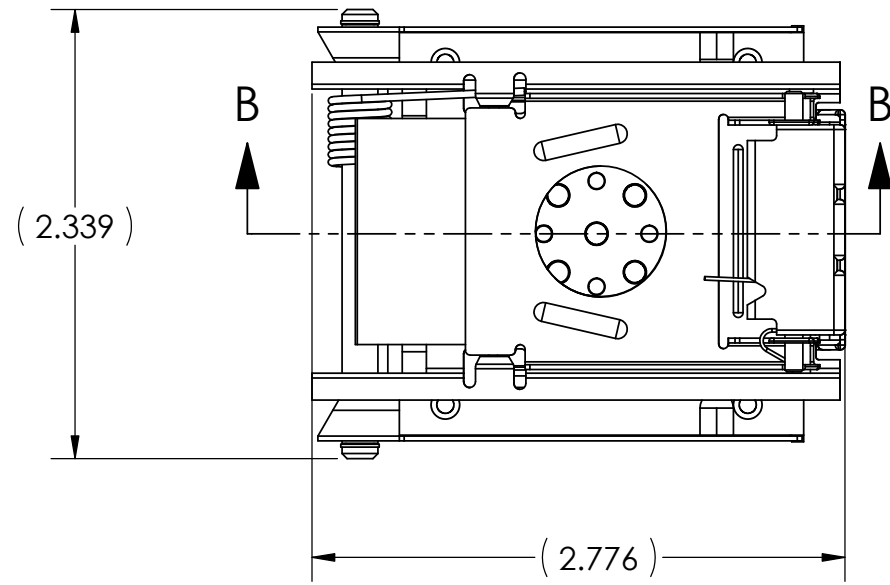
DETAIL A  
SCALE 4:1

6. THERMAL BUTTON TO BE SOLDERED TO GROUND PLANE.
  5. GROUND PLANE TO BE 2OZ COPPER.
  4. ASSEMBLE CONTACTOR AND THERMAL BUTTON ASSEMBLY TO PCB AS PER IPC J-STD-001.
  3. DATUM A-AS TOP PLANE OF PCB.
  2. ADD MAXIMUM QUANTITY OF PLATED VIAS WITHIN THERMAL BUTTON AREA FOR THERMAL RELIEF TO GROUND PLANE
  1. PATTERN IS CENTERED OFF DATUM B AND C.
- NOTES: (UNLESS OTHERWISE SPECIFIED)


LEGEND		THIS DOCUMENT CONTAINS PROPRIETARY INFORMATION THAT IS THE SOLE PROPERTY OF WELLS-CTI. THIS INFORMATION IS TO BE HELD BY ITS RECIPIENT ON A CONFIDENTIAL BASIS, AND IS NOT TO BE DISCLOSED TO OTHERS OR USED WITHOUT WRITTEN CONSENT OF WELLS-CTI. <b>DO NOT SCALE</b>	MATERIAL / FINISH	DRAWN	DATE		
◇	CRITICAL		REFERENCE	JHE	2/9/2006		TITLE
◇	TOTAL NO. OF ◇ USED		PROJECT / SERIES	KH	3/1/2006		619-1280811-HS 619 SERIES
INTERPRET DRAWING IN ACCORDANCE WITH ASME Y14.5M-1994		TOLERANCES	JHE	2/9/2006	DRAWING NUMBER		
SIZE	PROJECTION	X.XX ± 0.01 X.XXX ± 0.003 X.XXXX ± 0.0005 ANGLE ± 1°	EA	3/1/2006	619-1280811-HS		
<b>C</b>		SCALE	JM	3/1/2006	1:1		
		UNITS: in [mm]			SHEET 1 OF 3		

8 7 6 5 4 3 2 1

D  
C  
B  
A

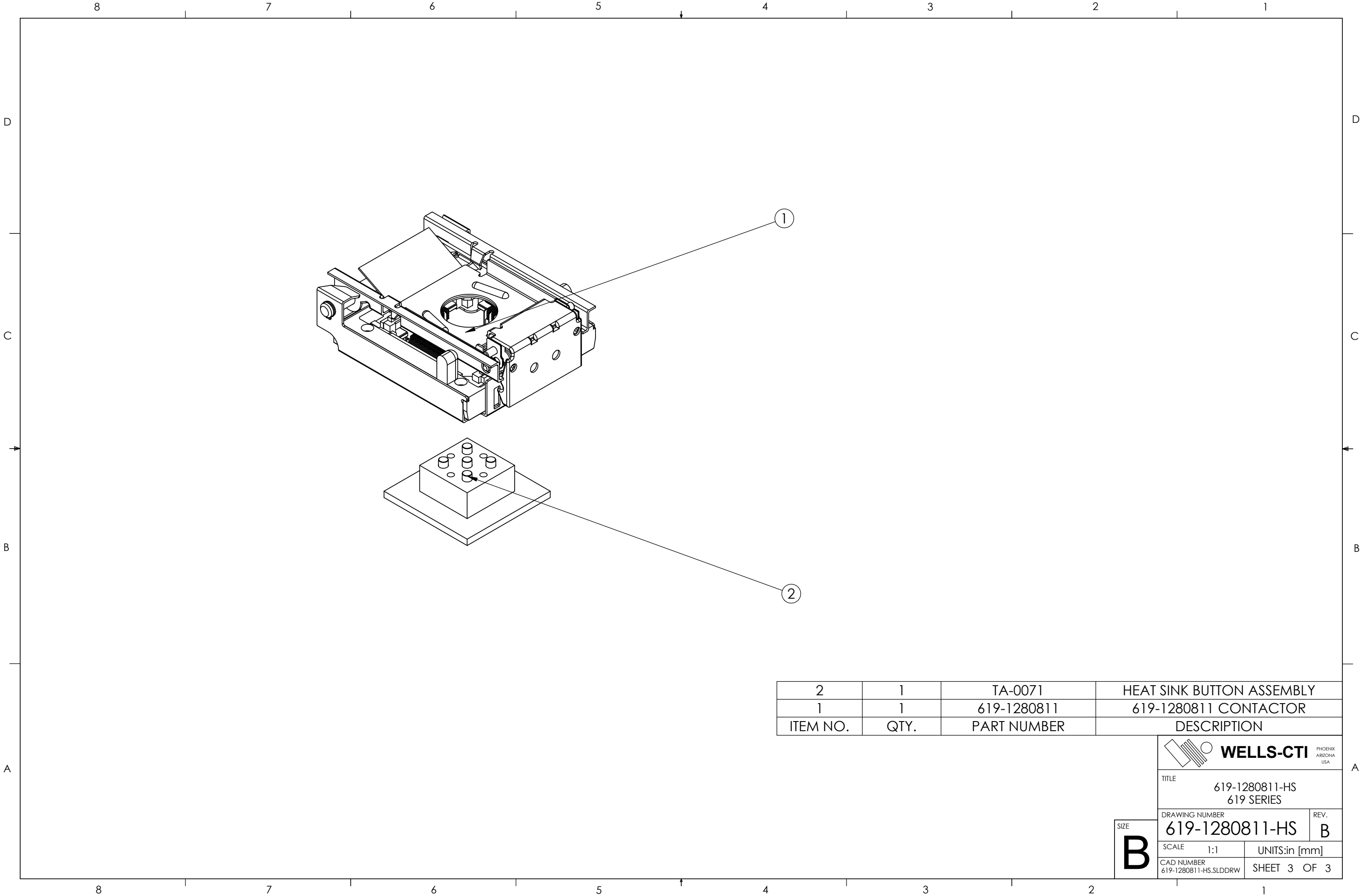


DETAIL C  
SCALE 6 : 1

 <b>WELLS-CTI</b> <small>PHOENIX ARIZONA USA</small>	
TITLE 619-1280811-HS 619 SERIES	
DRAWING NUMBER <b>619-1280811-HS</b>	REV. <b>B</b>
SCALE 1:1	UNITS:in [mm]
CAD NUMBER 619-1280811-HS.SLDDRW	SHEET 2 OF 3

SIZE  
**B**

8 7 6 5 4 3 2 1



2	1	TA-0071	HEAT SINK BUTTON ASSEMBLY
1	1	619-1280811	619-1280811 CONTACTOR
ITEM NO.	QTY.	PART NUMBER	DESCRIPTION



TITLE  
619-1280811-HS  
619 SERIES

DRAWING NUMBER <b>619-1280811-HS</b>	REV. <b>B</b>
---	------------------

SCALE 1:1      UNITS:in [mm]

CAD NUMBER 619-1280811-HS.SLDDRW      SHEET 3 OF 3

SIZE  
**B**