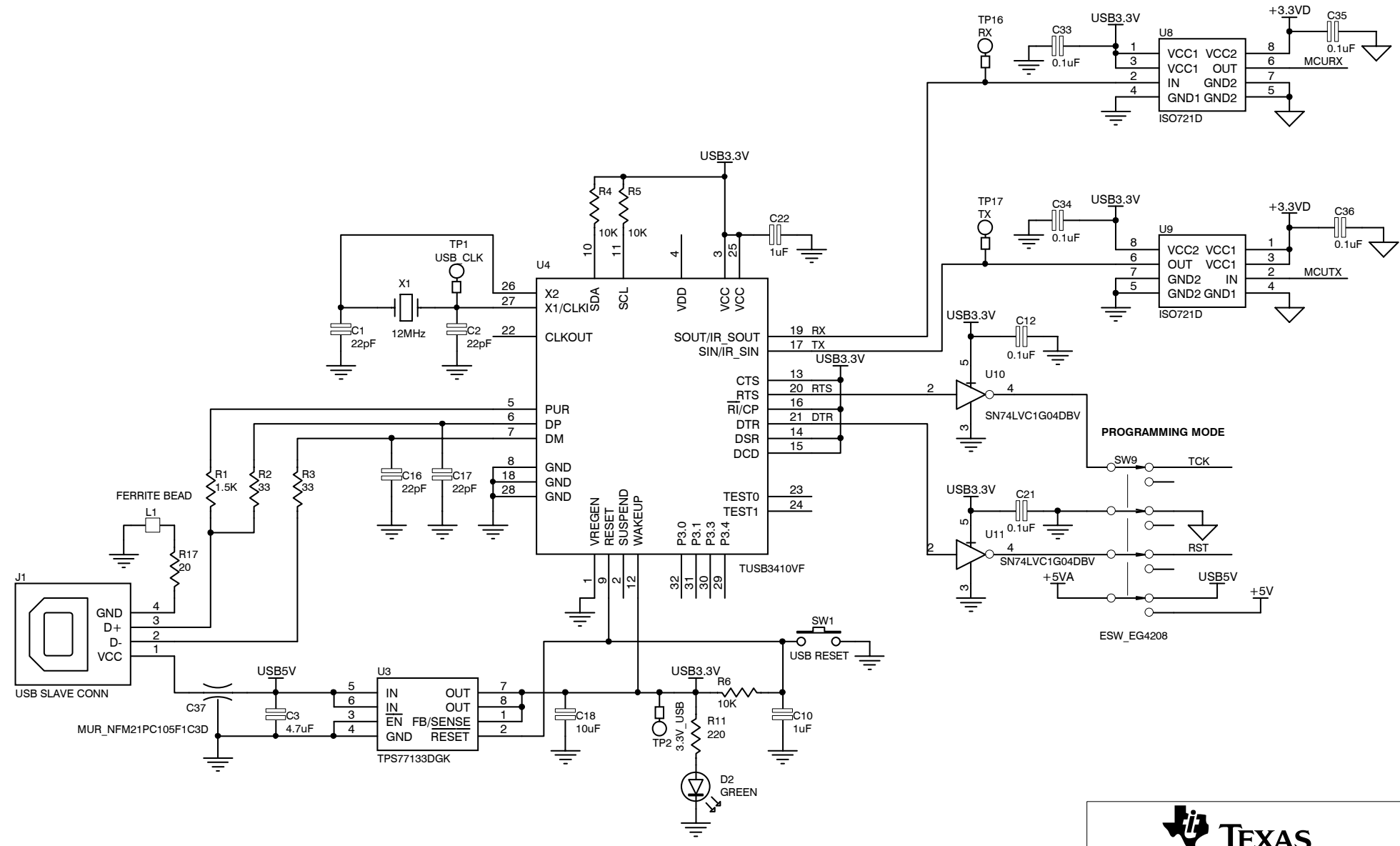
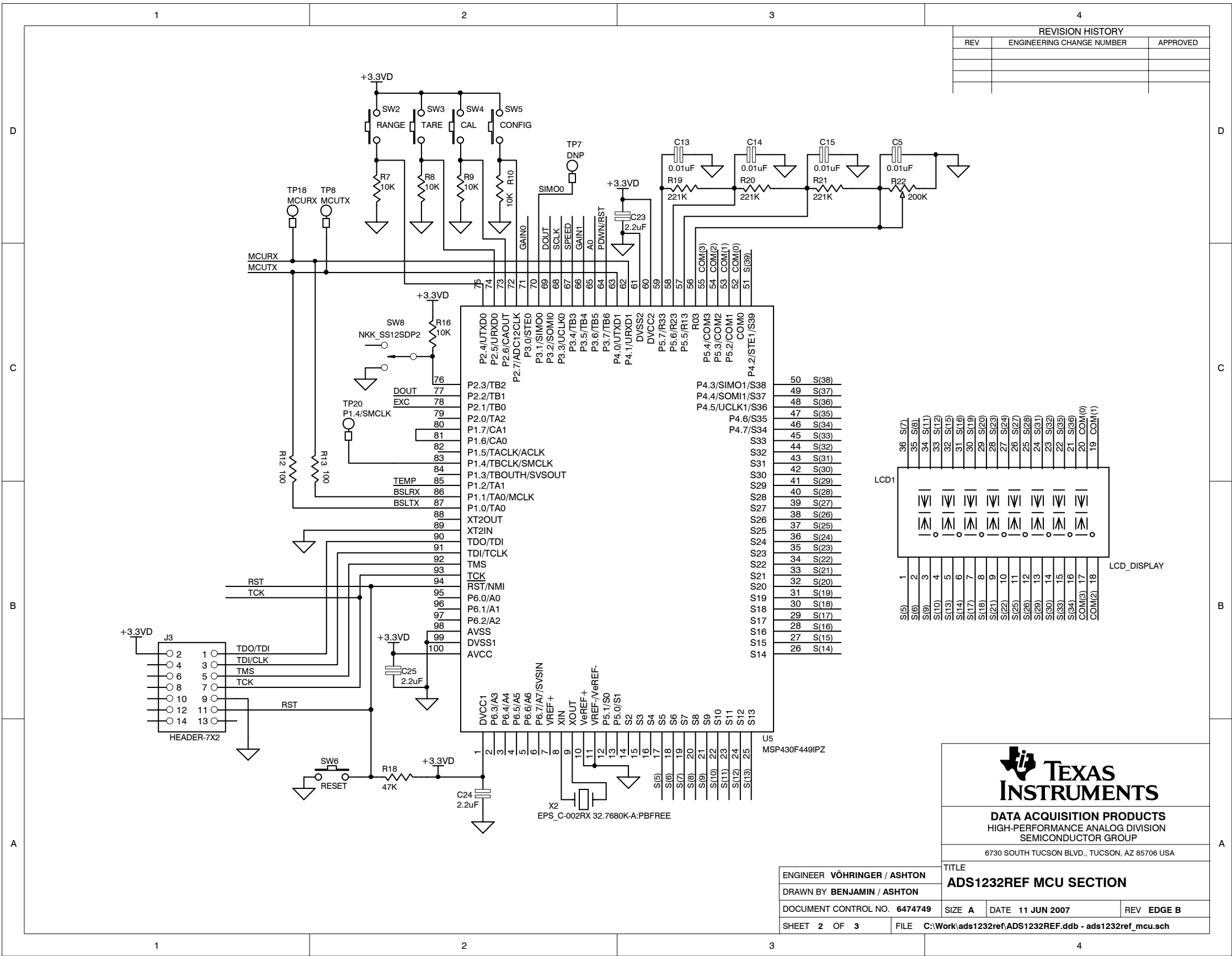


REVISION HISTORY		
REV	ENGINEERING CHANGE NUMBER	APPROVED




TEXAS INSTRUMENTS
 DATA ACQUISITION PRODUCTS
 HIGH-PERFORMANCE ANALOG DIVISION
 SEMICONDUCTOR GROUP
 6730 SOUTH TUCSON BLVD., TUCSON, AZ 85706 USA

ENGINEER	VÖHRINGER / ASHTON	TITLE	ADS1232REF USB SECTION	
DRAWN BY	BENJAMIN / ASHTON	SIZE	A	DATE
DOCUMENT CONTROL NO.	6474749	DATE	11 JUN 2007	REV
SHEET	1 OF 3	FILE	C:\Work\ads1232ref\ADS1232REF.ddb - ads1232ref_usb.sch	EDGE
				B

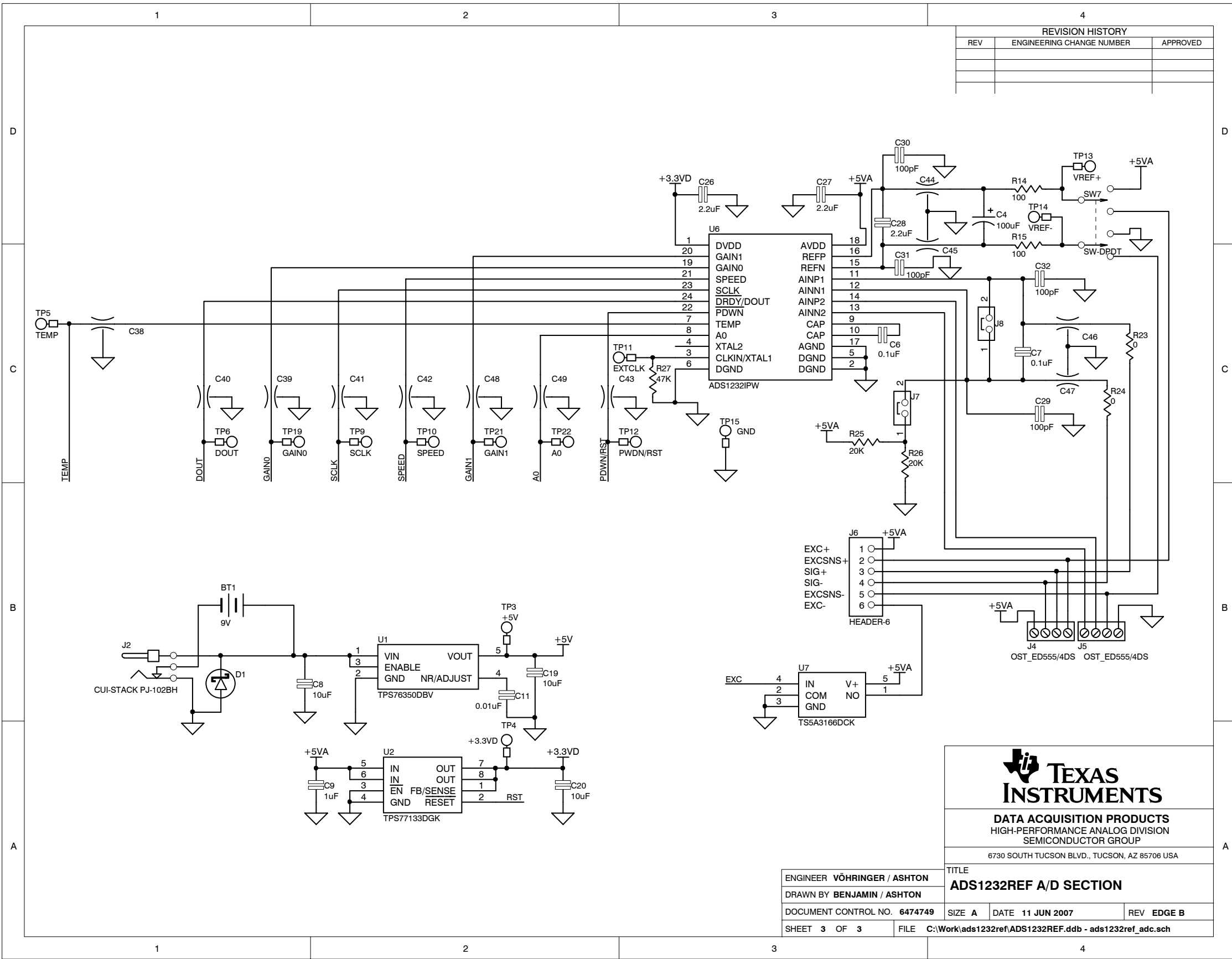


REVISION HISTORY		
REV	ENGINEERING CHANGE NUMBER	APPROVED


TEXAS INSTRUMENTS
 DATA ACQUISITION PRODUCTS
 HIGH-PERFORMANCE ANALOG DIVISION
 SEMICONDUCTOR GROUP
 6730 SOUTH TUCSON BLVD., TUCSON, AZ 85706 USA

ENGINEER VÖHRINGER / ASHTON			TITLE		
DRAWN BY BENJAMIN / ASHTON			ADS1232REF MCU SECTION		
DOCUMENT CONTROL NO. 6474749	SIZE A	DATE 11 JUN 2007	REV EDGE B		
SHEET 2 OF 3	FILE C:\Work\ads1232ref\ADS1232REF.ddb - ads1232ref_mcu.sch				

REVISION HISTORY		
REV	ENGINEERING CHANGE NUMBER	APPROVED



TEXAS INSTRUMENTS
 DATA ACQUISITION PRODUCTS
 HIGH-PERFORMANCE ANALOG DIVISION
 SEMICONDUCTOR GROUP
 6730 SOUTH TUCSON BLVD., TUCSON, AZ 85706 USA

ENGINEER	VÖHRINGER / ASHTON	TITLE	ADS1232REF A/D SECTION	
DRAWN BY	BENJAMIN / ASHTON	SIZE	A	DATE
DOCUMENT CONTROL NO.	6474749	DATE	11 JUN 2007	REV
SHEET	3 OF 3	FILE	C:\Work\ads1232ref\ADS1232REF.ddb - ads1232ref_adc.sch	EDGE
				B