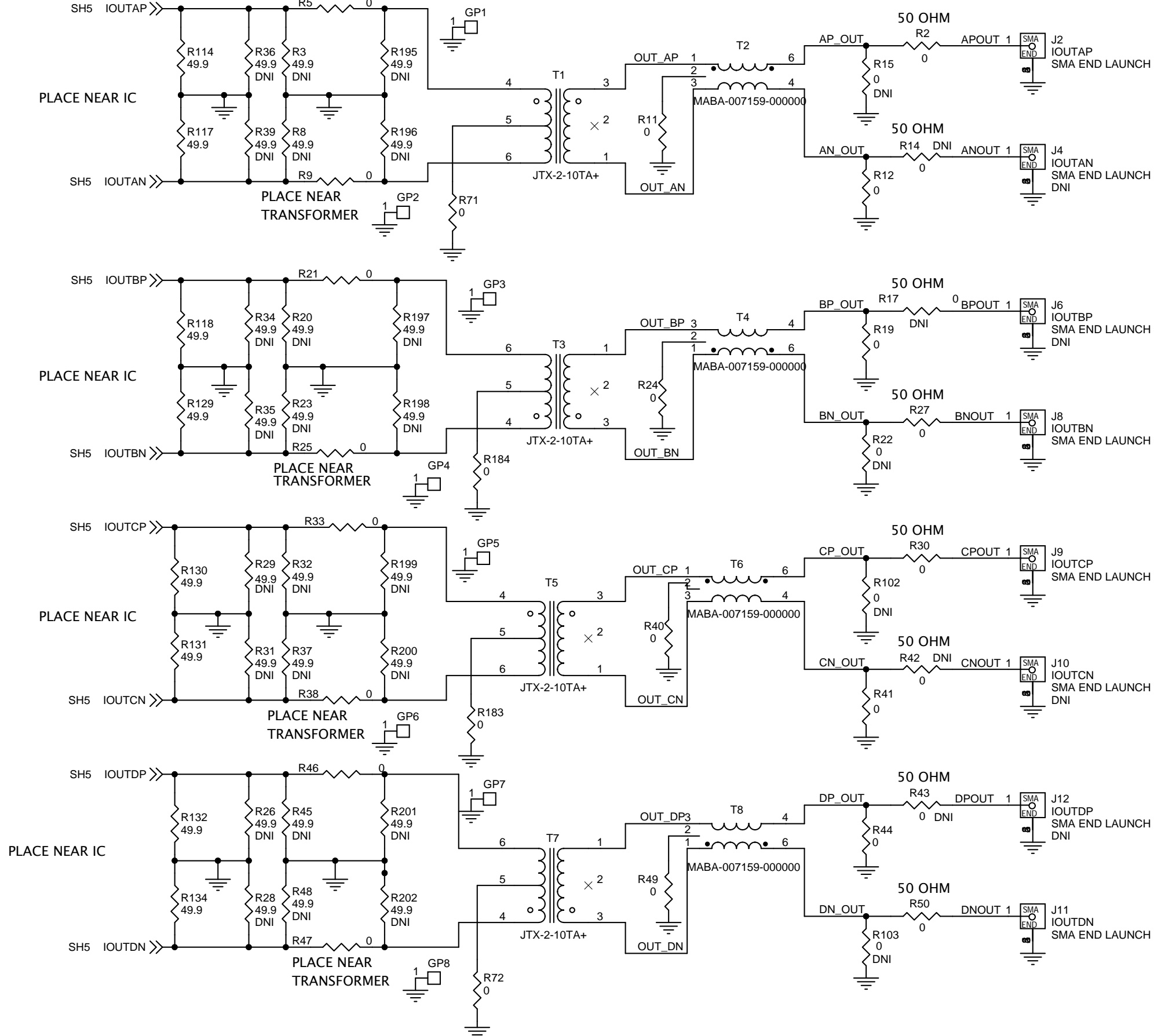


TEXAS INSTRUMENTS

Title: **BLOCK DIAGRAM**

Drawn: JV SMITH 02/13	Size B	Document Number DAC3XJ8X EVM	Rev D
Engineer: M GUIBORD 02/13	Date: Friday, November 08, 2013	Sheet 1 of 10	

100 OHM DIFFERENTIAL - TYPICAL



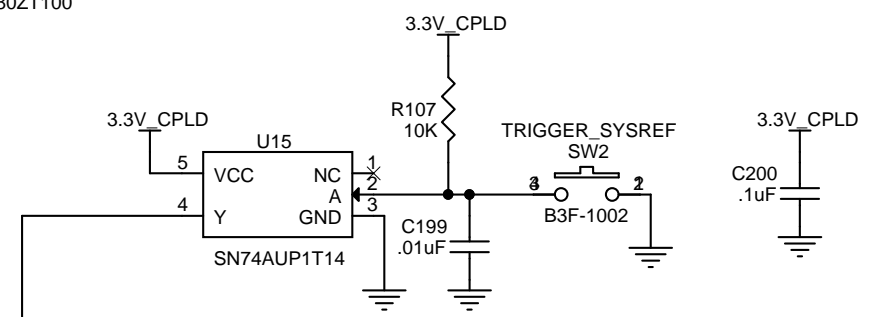
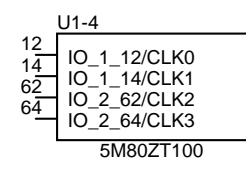
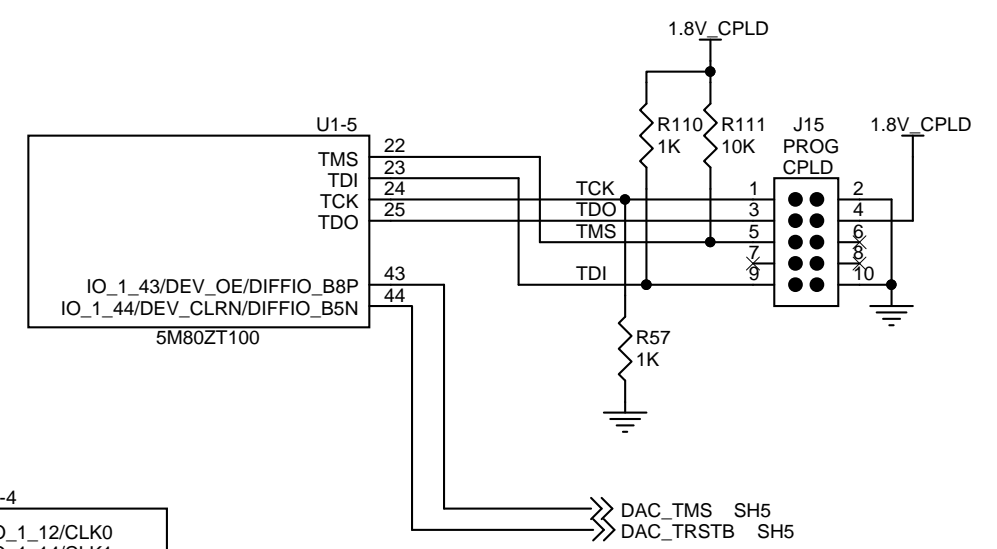
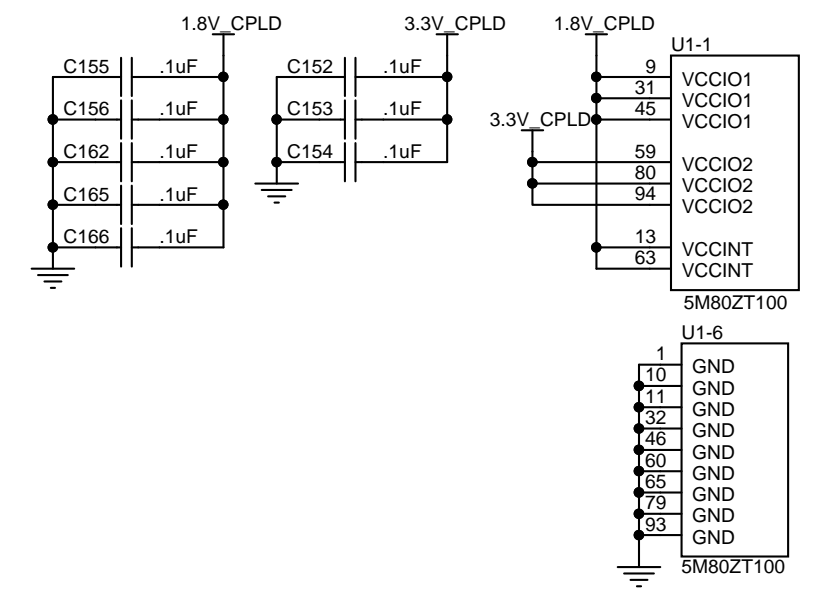
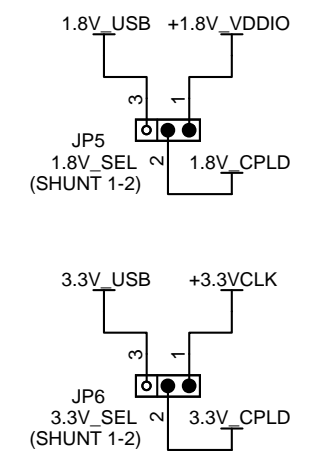
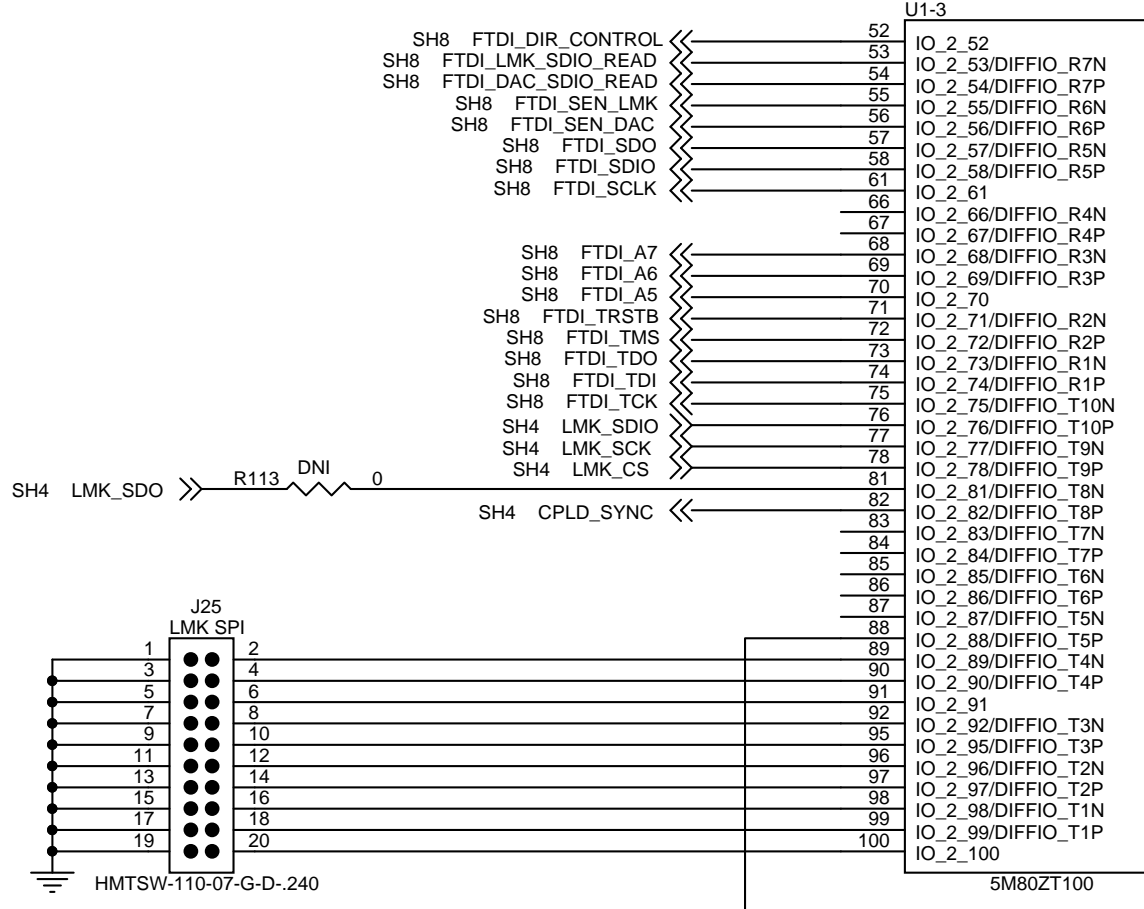
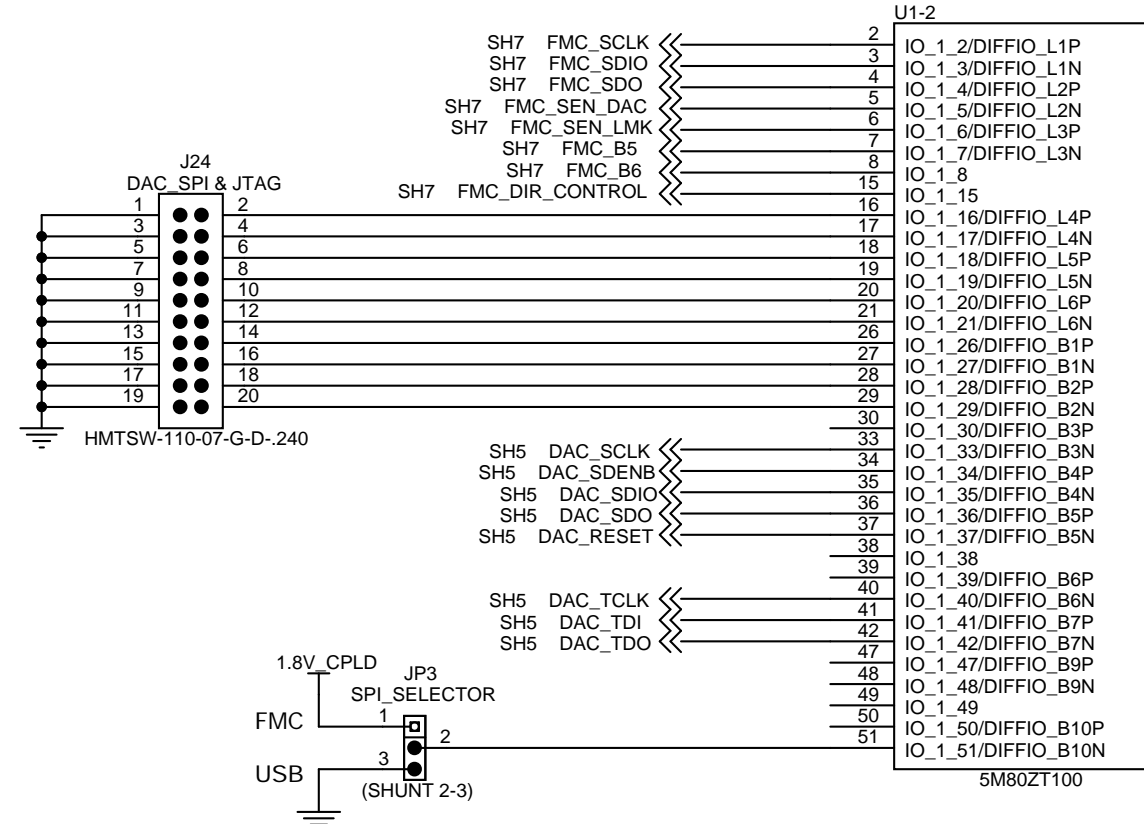
NOTES:
 1) DNI = DO NOT INSTALL

TEXAS INSTRUMENTS

Title: **DAC**

Size **B** Document Number **DAC3XJ8X EVM** Rev **D**

Date: Thursday, November 14, 2008 2 of 10

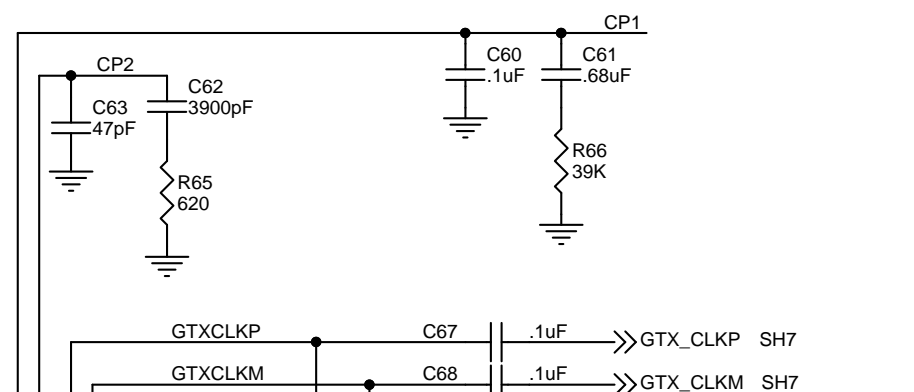
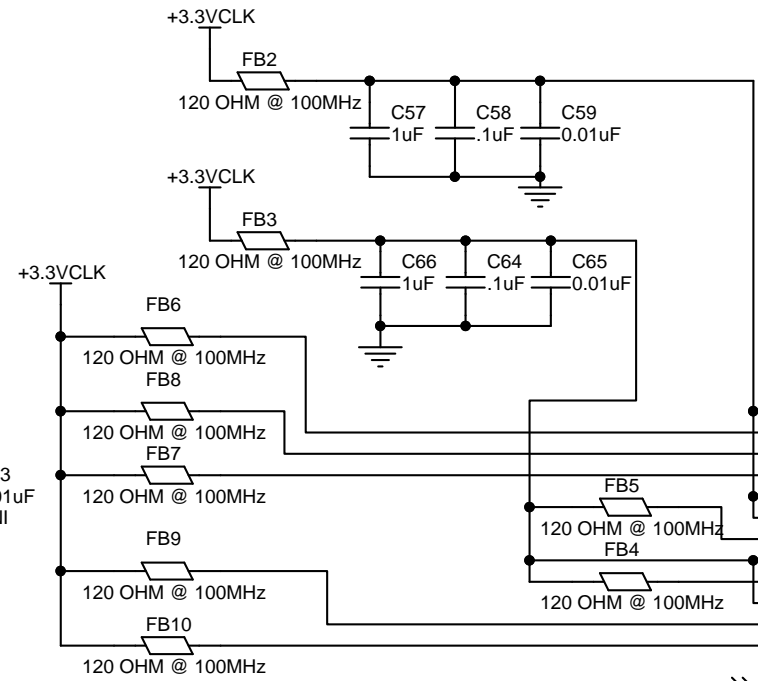
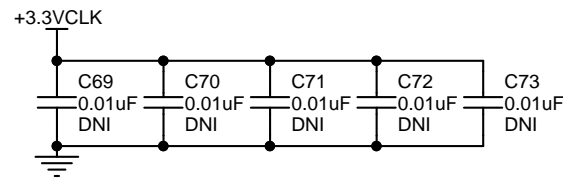
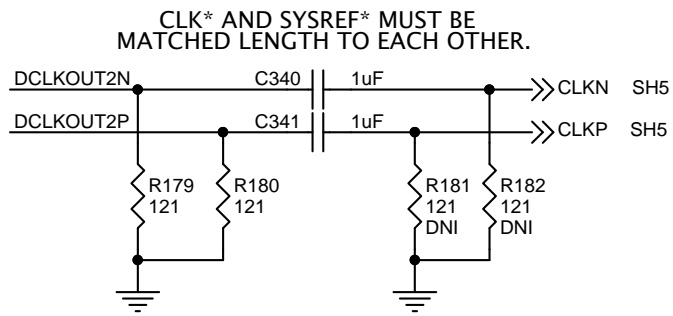


TEXAS INSTRUMENTS

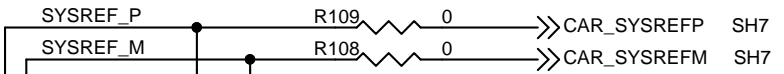
Title: **CPLD**

Size: **B** Document Number: **DAC3XJ8X EVM** Rev: **D**

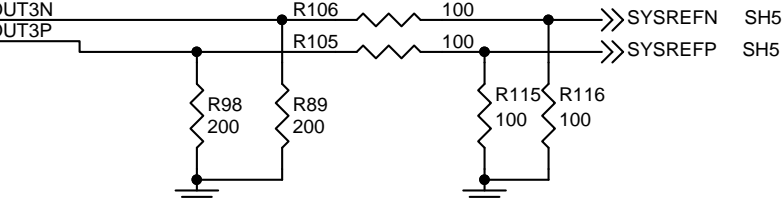
Date: **Friday, November 08, 2013** Sheet **3** of **10**



GTX* AND CAR* MUST BE MATCHED LENGTH TO EACH OTHER.



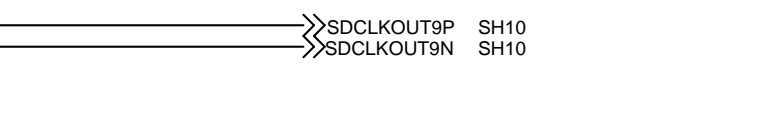
CLK* AND SYSREF* MUST BE MATCHED LENGTH TO EACH OTHER.



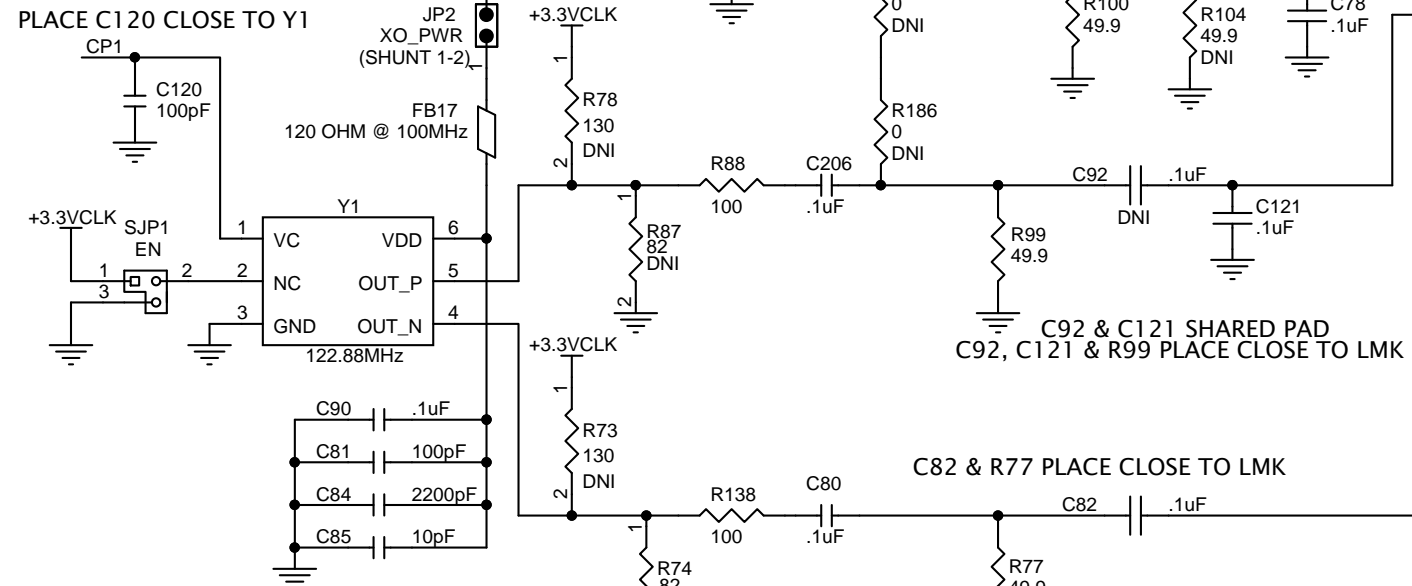
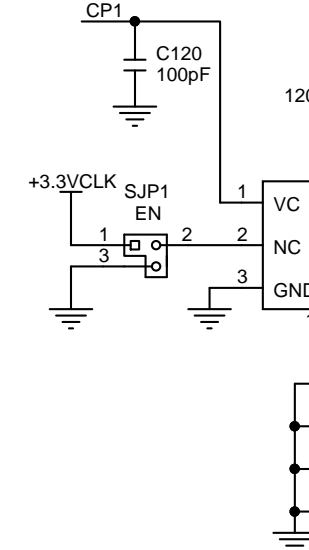
DCLK* AND SDCLK* MUST BE MATCHED LENGTH TO EACH OTHER.



DCLK* AND SDCLK* MUST BE MATCHED LENGTH TO EACH OTHER.



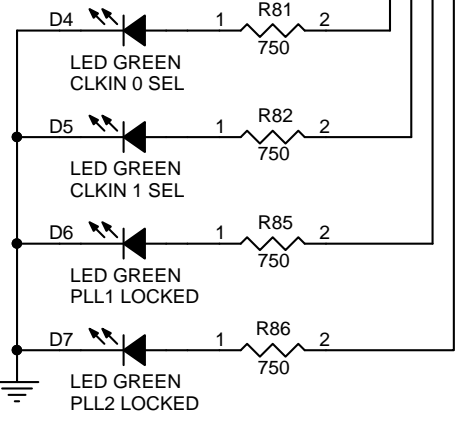
PLACE C120 CLOSE TO Y1



C122 & R100 PLACE CLOSE TO LMK

C92 & C121 SHARED PAD
C92, C121 & R99 PLACE CLOSE TO LMK

C82 & R77 PLACE CLOSE TO LMK



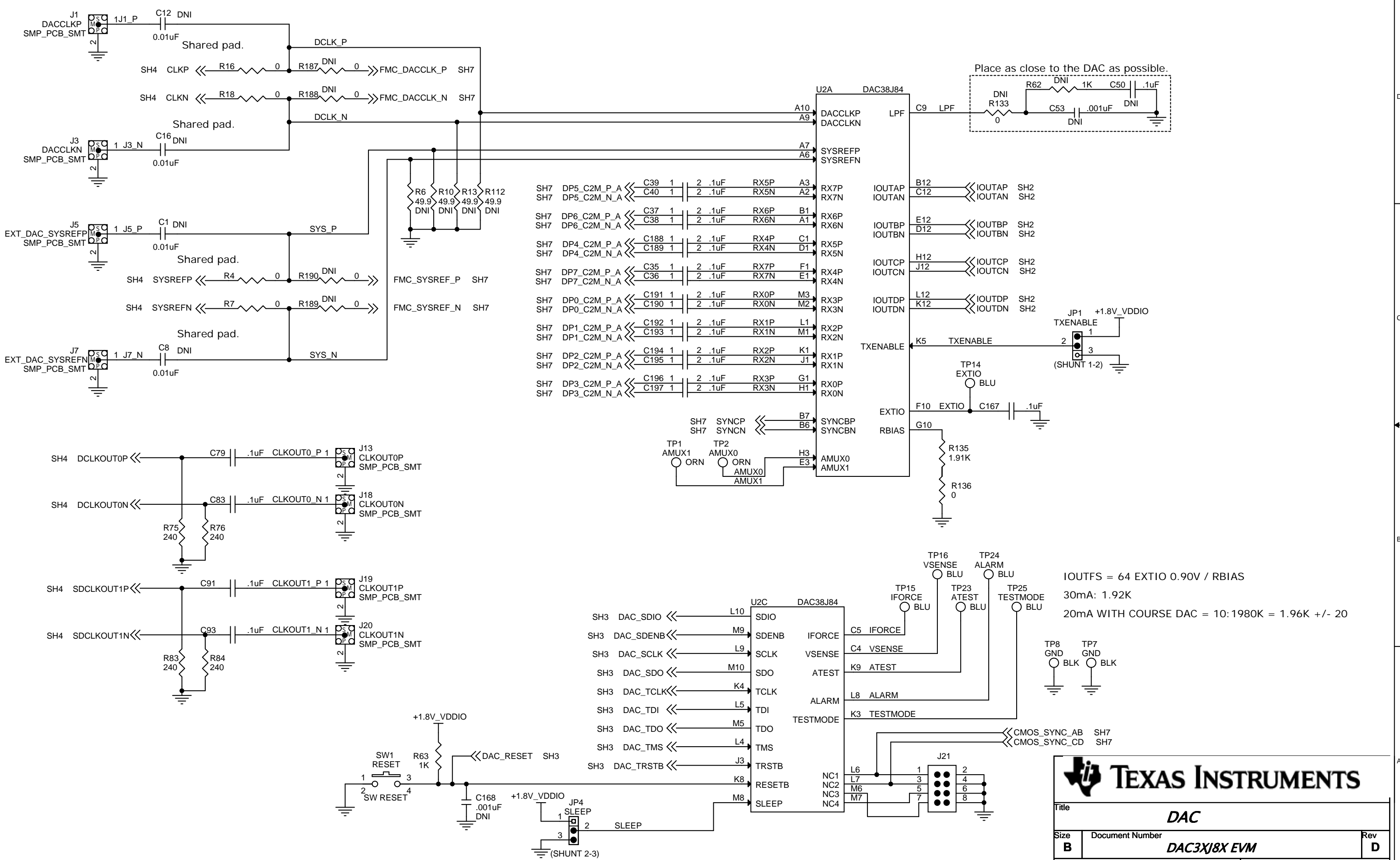
TEXAS INSTRUMENTS

12500 TI Boulevard, Dallas, Texas 75243

CLOCK

Size **B** Document Number **DAC3XJ8X EVM** Rev **D**

Date: Friday, November 08, 2013 Sheet 4 of 10



SH7	DP5_C2M_P_A	<<<	C39	1	2	.1uF	RX5P	A3	RX7P	IOUTAP	B12	<<<	IOUTAP	SH2
SH7	DP5_C2M_N_A	<<<	C40	1	2	.1uF	RX5N	A2	RX7N	IOUTAN	C12	<<<	IOUTAN	SH2
SH7	DP6_C2M_P_A	<<<	C37	1	2	.1uF	RX6P	B1	RX6P	IOUTBP	E12	<<<	IOUTBP	SH2
SH7	DP6_C2M_N_A	<<<	C38	1	2	.1uF	RX6N	A1	RX6N	IOUTBN	D12	<<<	IOUTBN	SH2
SH7	DP4_C2M_P_A	<<<	C188	1	2	.1uF	RX4P	D1	RX5P	IOUTCP	H12	<<<	IOUTCP	SH2
SH7	DP4_C2M_N_A	<<<	C189	1	2	.1uF	RX4N	C1	RX5N	IOUTCN	J12	<<<	IOUTCN	SH2
SH7	DP7_C2M_P_A	<<<	C35	1	2	.1uF	RX7P	F1	RX4P	IOUTDP	L12	<<<	IOUTDP	SH2
SH7	DP7_C2M_N_A	<<<	C36	1	2	.1uF	RX7N	E1	RX4N	IOUTDN	K12	<<<	IOUTDN	SH2
SH7	DP0_C2M_P_A	<<<	C191	1	2	.1uF	RX0P	M3	RX3P	TXENABLE				
SH7	DP0_C2M_N_A	<<<	C190	1	2	.1uF	RX0N	M2	RX3N					
SH7	DP1_C2M_P_A	<<<	C192	1	2	.1uF	RX1P	L1	RX2P					
SH7	DP1_C2M_N_A	<<<	C193	1	2	.1uF	RX1N	M1	RX2N					
SH7	DP2_C2M_P_A	<<<	C194	1	2	.1uF	RX2P	K1	RX1P					
SH7	DP2_C2M_N_A	<<<	C195	1	2	.1uF	RX2N	J1	RX1N					
SH7	DP3_C2M_P_A	<<<	C196	1	2	.1uF	RX3P	G1	RX0P					
SH7	DP3_C2M_N_A	<<<	C197	1	2	.1uF	RX3N	H1	RX0N					

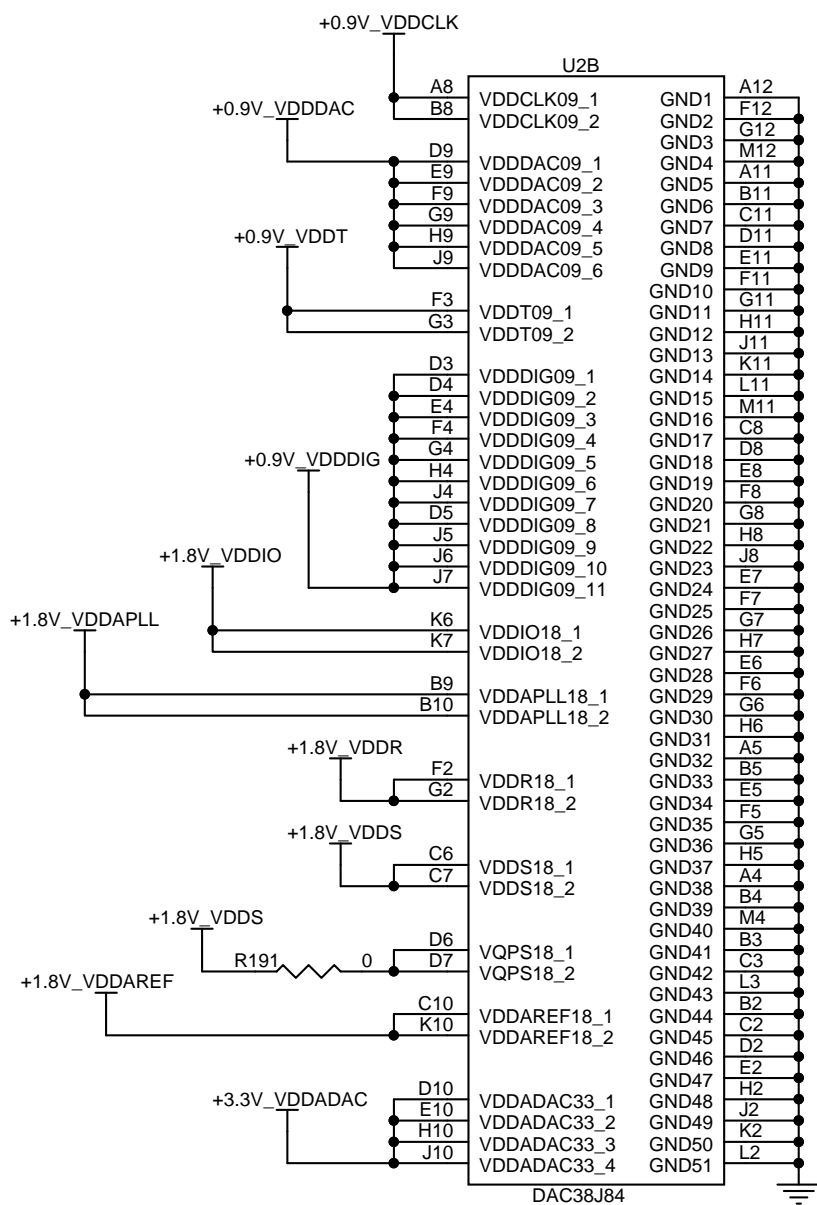
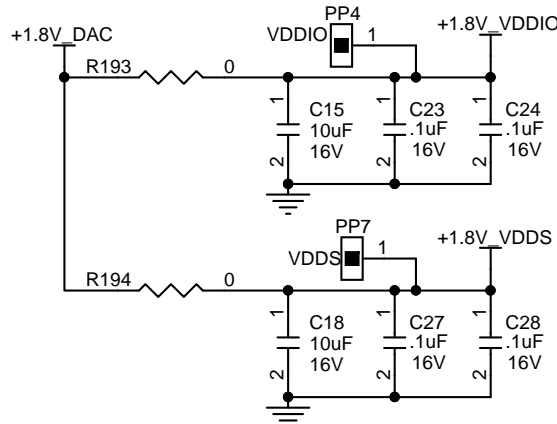
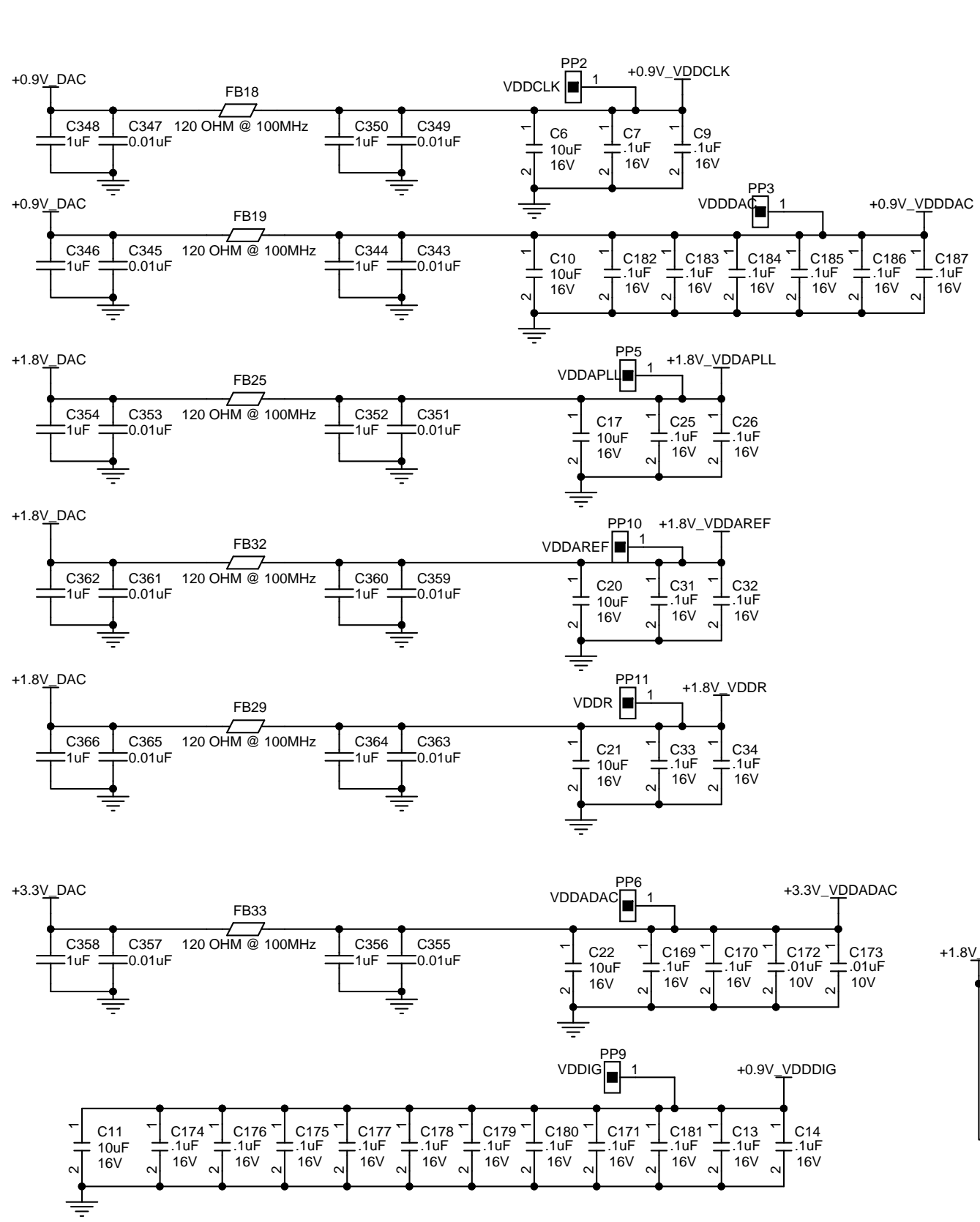
IOUTFS = 64 EXTIO 0.90V / RBIAS
 30mA: 1.92K
 20mA WITH COURSE DAC = 10:1980K = 1.96K +/- 20

TEXAS INSTRUMENTS

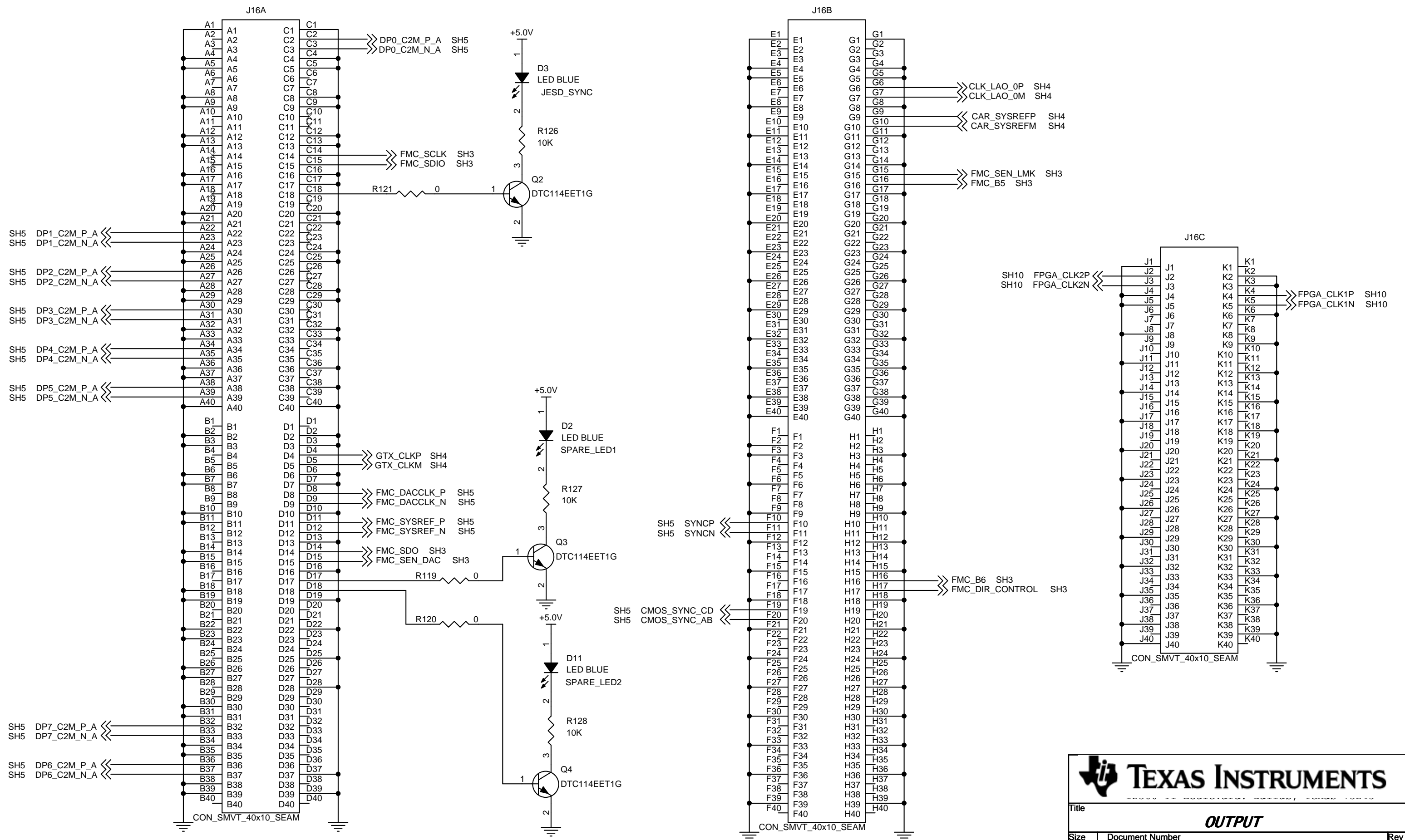
Title: **DAC**

Size: **B** Document Number: **DAC3XJ8X EVM** Rev: **D**

Date: Friday, November 08, 2013 Sheet 5 of 10



MATES W/ XILINX FMC CONNECTOR - J22

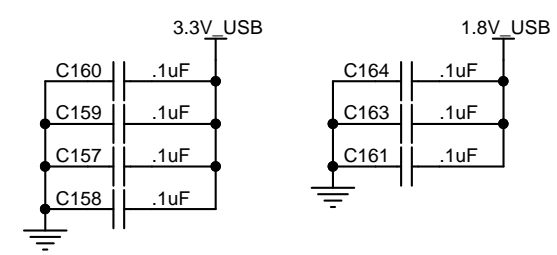
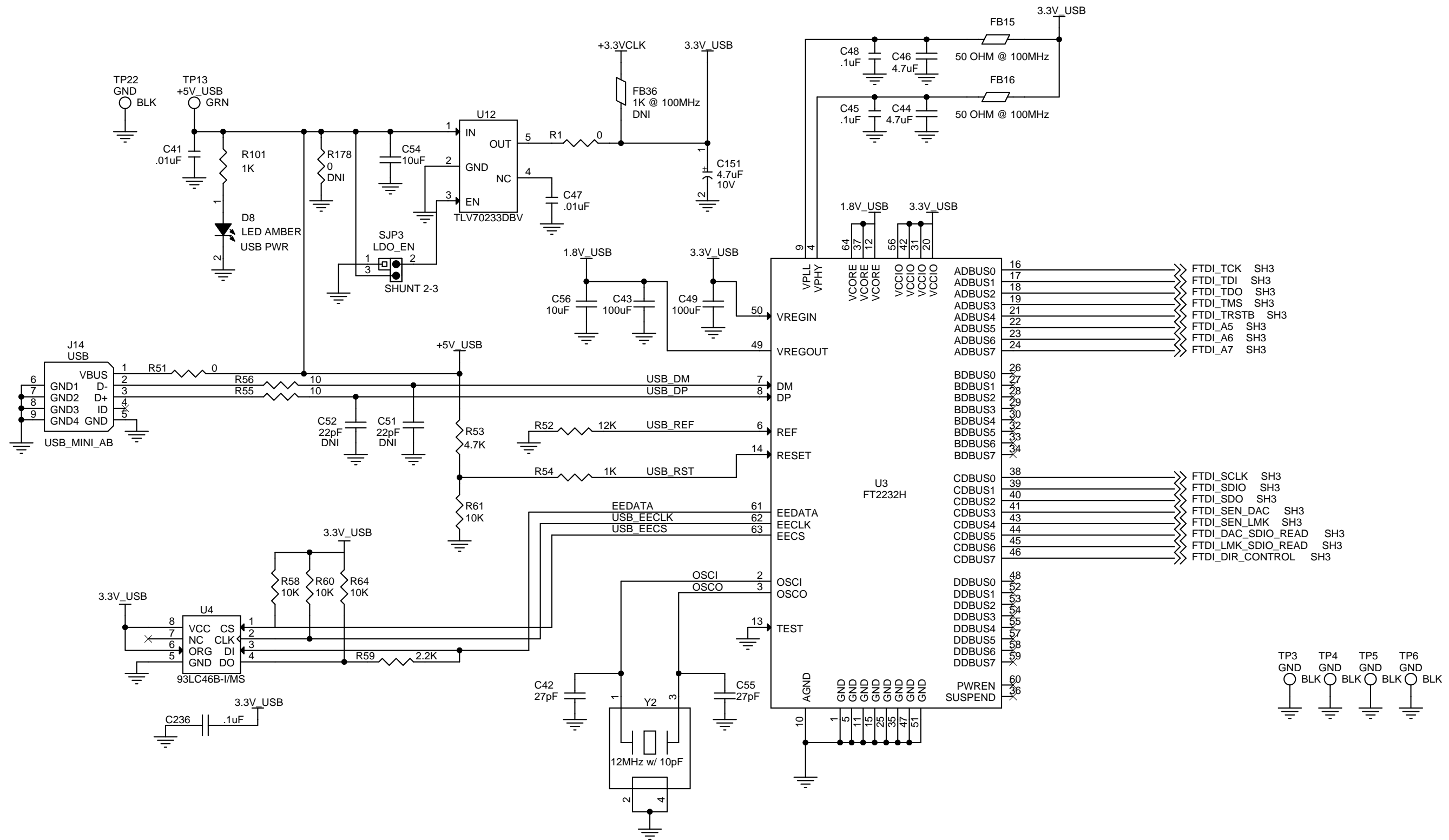


TEXAS INSTRUMENTS
 12000 TI Boulevard, Dallas, Texas 75243

Title: **OUTPUT**

Size: **B** | Document Number: **DAC3XJ8X EVM** | Rev: **D**

Date: **Friday, November 08, 2013** | Sheet: **7** of **10**

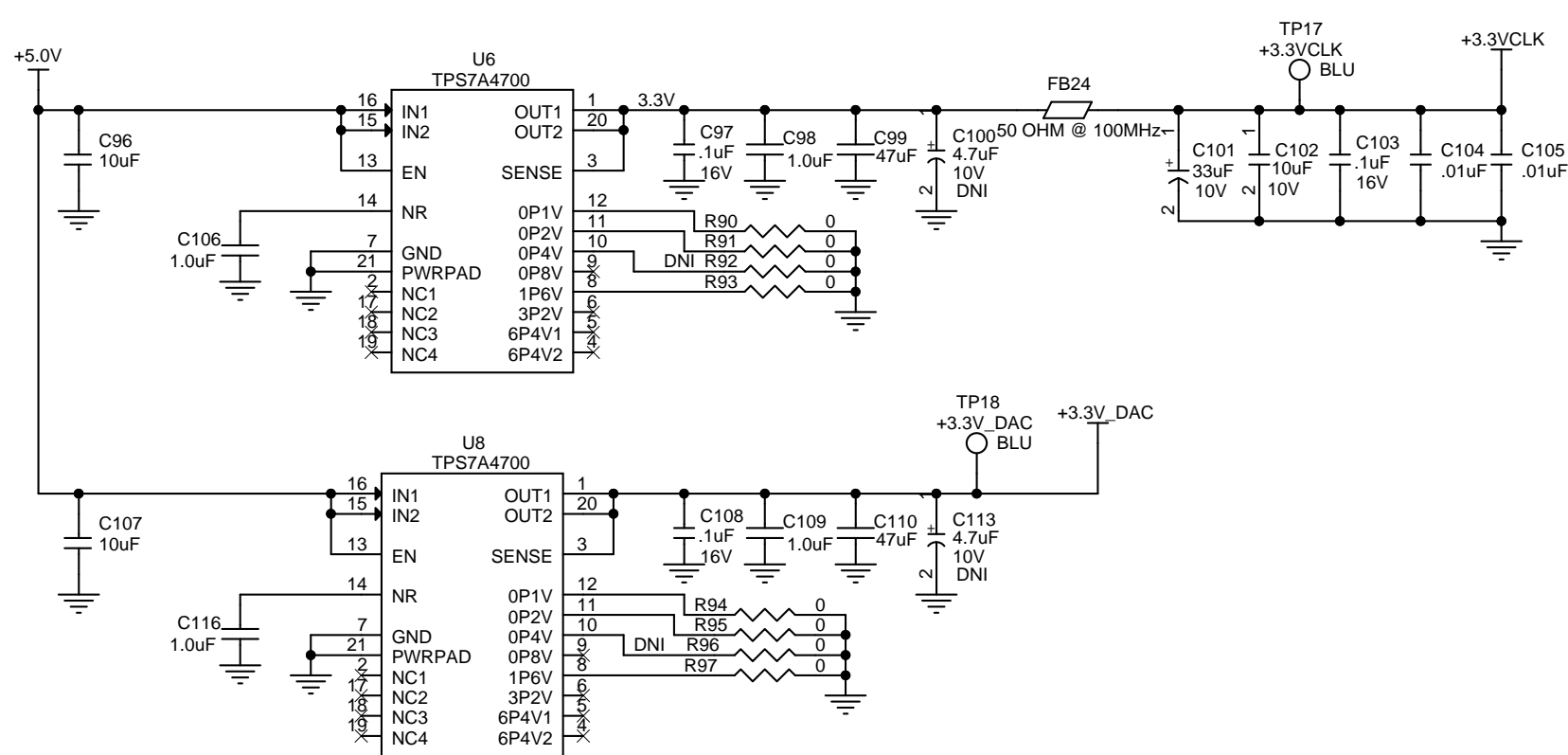
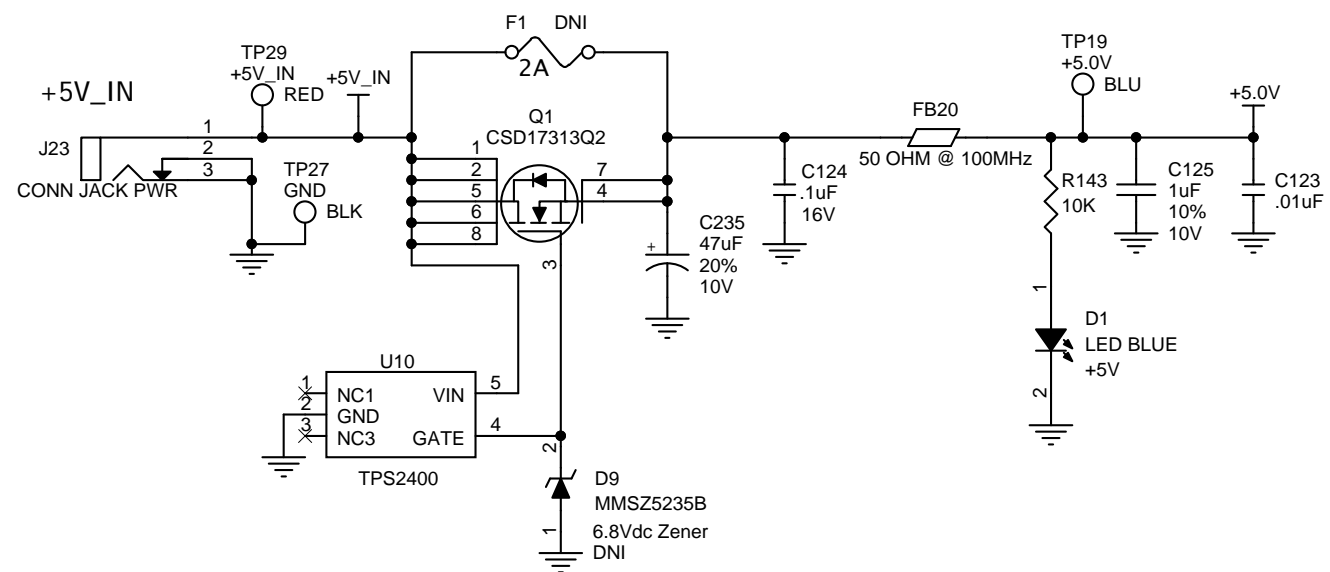


TEXAS INSTRUMENTS

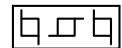
Title: **USB INTERFACE**

Size: **B** Document Number: **DAC3XJ8X EVM** Rev: **D**

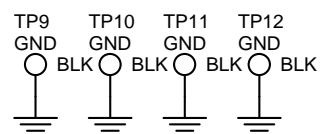
Date: Friday, November 08, 2013 Sheet 8 of 10



BARE BOARD, DAC38J84



- | | | | |
|---|-----------------------------------|---|-----------------------------------|
| <p>MT1
STANDOFF, HEX, 4-40 X 1 1/4", ALUM</p> | <p>SCREW, PHIL, 4-40x3/4", SS</p> | <p>MT5
STANDOFF, HEX, 4-40 X 1 1/4", ALUM</p> | <p>SCREW, PHIL, 4-40x3/4", SS</p> |
| <p>MT2
STANDOFF, HEX, 4-40 X 1 1/4", ALUM</p> | <p>SCREW, PHIL, 4-40x3/4", SS</p> | <p>MT6
STANDOFF, HEX, 4-40 X 1 1/4", ALUM</p> | <p>SCREW, PHIL, 4-40x3/4", SS</p> |
| <p>MT3
STANDOFF, HEX, 4-40 X 1 1/4", ALUM</p> | <p>SCREW, PHIL, 4-40x3/4", SS</p> | <p>MT7
STANDOFF, HEX, 4-40 X 1 1/4", ALUM</p> | <p>SCREW, PHIL, 4-40x3/4", SS</p> |
| <p>MT4
STANDOFF, HEX, 4-40 X 1 1/4", ALUM</p> | <p>SCREW, PHIL, 4-40x3/4", SS</p> | <p>MT8
STANDOFF, HEX, 4-40 X 1 1/4", ALUM</p> | <p>SCREW, PHIL, 4-40x3/4", SS</p> |



TEXAS INSTRUMENTS

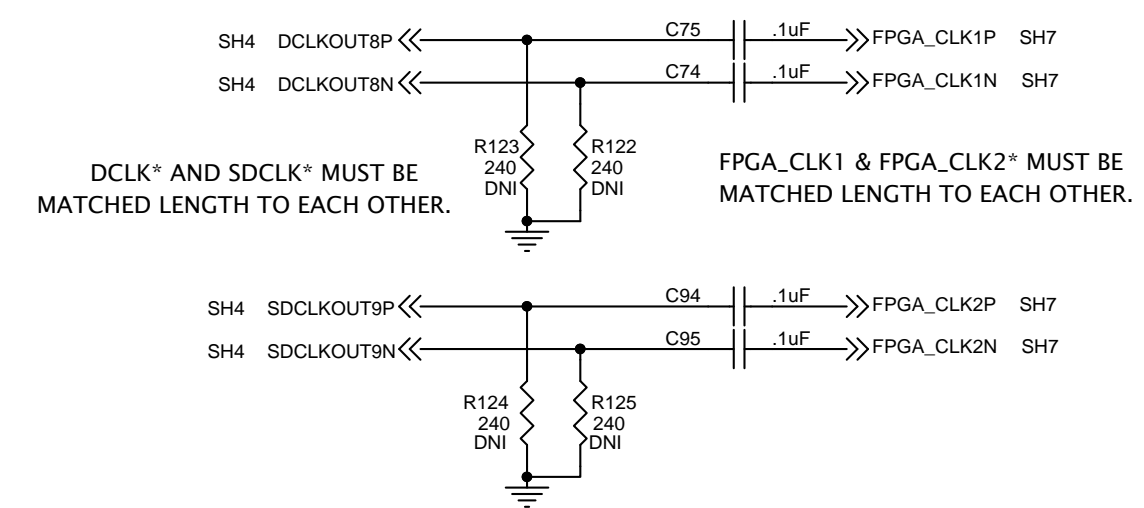
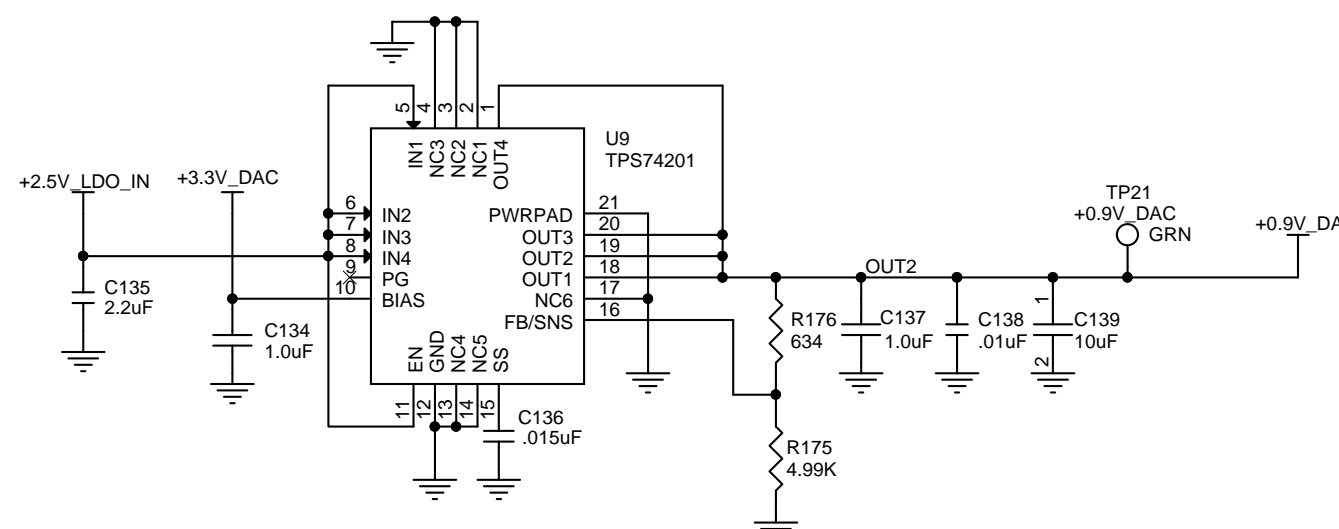
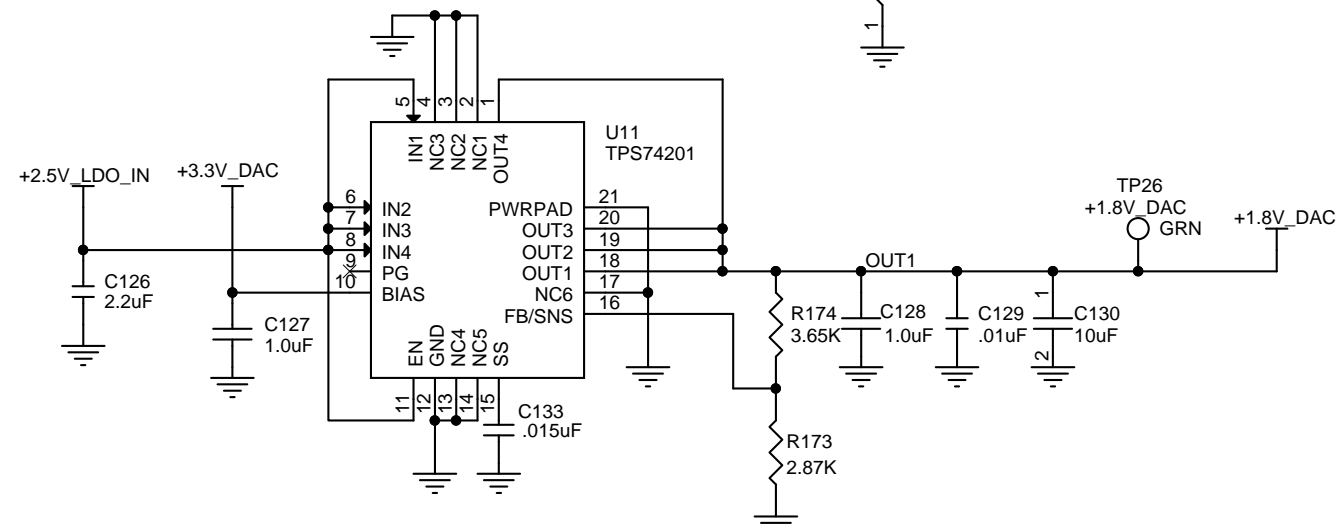
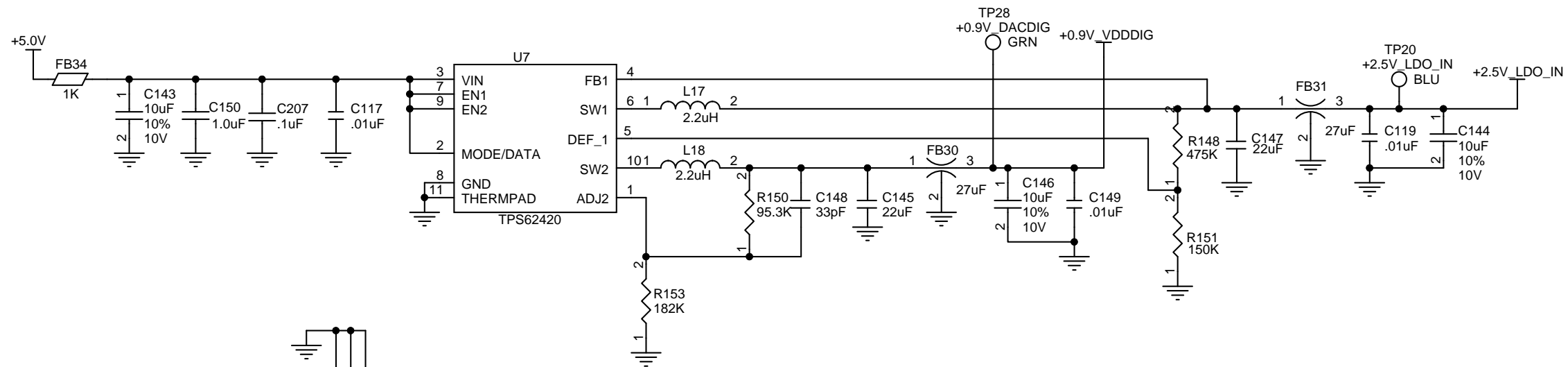
12500 TI Boulevard, Dallas, Texas 75243

MAIN POWER

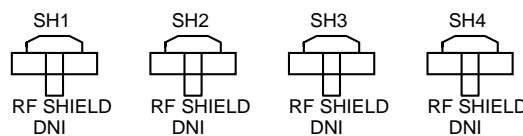
DAC3XJ8X EVM

Rev **D**

Date: Friday, November 08, 2013 Sheet 9 of 10



LEADER TECH RF SHIELD P/N SL-11356



12500 TI Boulevard, Dallas, Texas 75243		
MAIN POWER		
Size B	Document Number DAC3XJ8X EVM	Rev D
Date: Friday, November 08, 2013 Sheet 10 of 10		