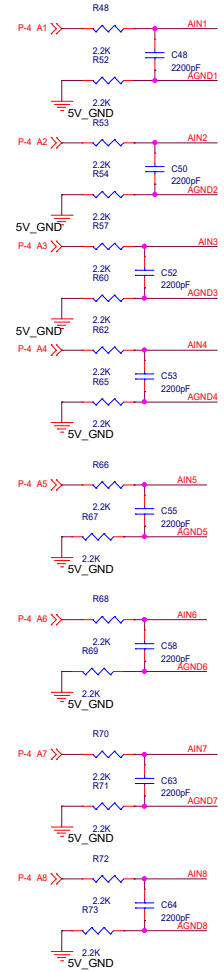
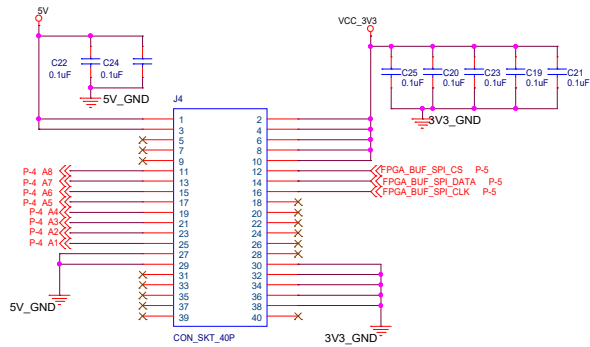
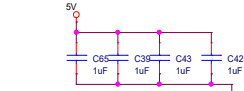


ADC

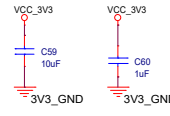
ADC - ARM FPGA BOARD CONNECTOR



Cad Note*
Place C65, C39, C43, C42
as close as possible to pins
1, 37, 38, 48



Cad Note*
Place C59, C60 as close as
possible to pins 23



STBY_N	RANGR	MODE OF FUNCTION
HIGH	HIGH	SELECTS THE INPUT RANGE OF THE DEVICE AND CONFIGURED TO OPERATE IN THE ±10V INPUT RANGE.
HIGH	LOW	SELECTS THE INPUT RANGE OF THE DEVICE AND CONFIGURED TO OPERATE IN THE ±5V INPUT RANGE.
LOW	X	SELECTS BETWEEN STANDBY AND SHUTDOWN MODES.

REFSEL	MODE OF FUNCTION
HIGH	INTERNAL REFERENCE IS ENABLED. REFIN/REFOUT PIN ACTS AS INTERNAL REFERENCE OUTPUT.
LOW	INTERNAL REFERENCE CIRCUIT IS DISABLED. REFIN/REFOUT PIN FUNCTION AS INPUT PIN FOR EXTERNAL REFERENCE.

