

A

B

C

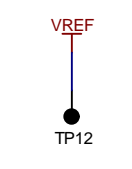
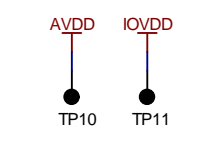
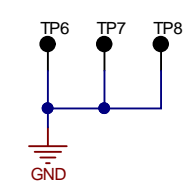
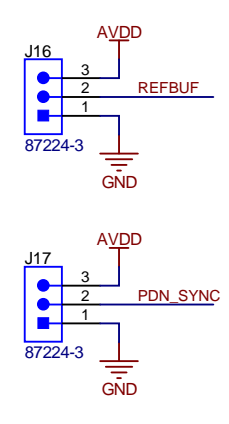
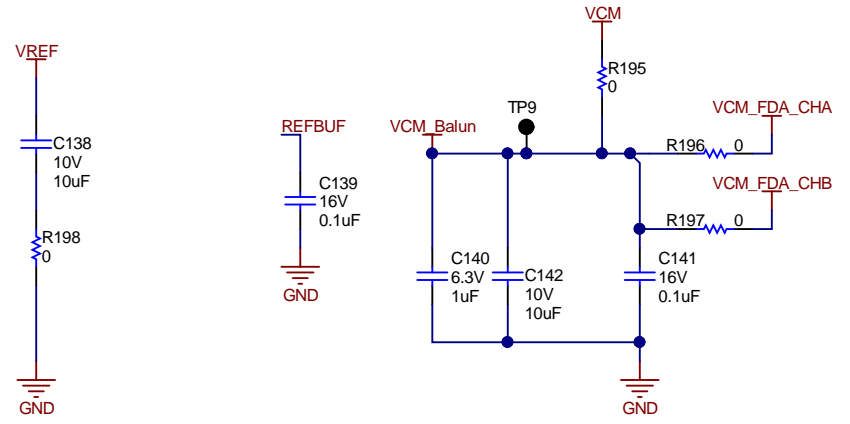
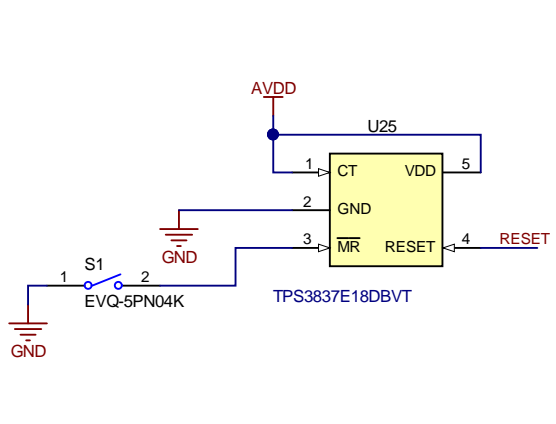
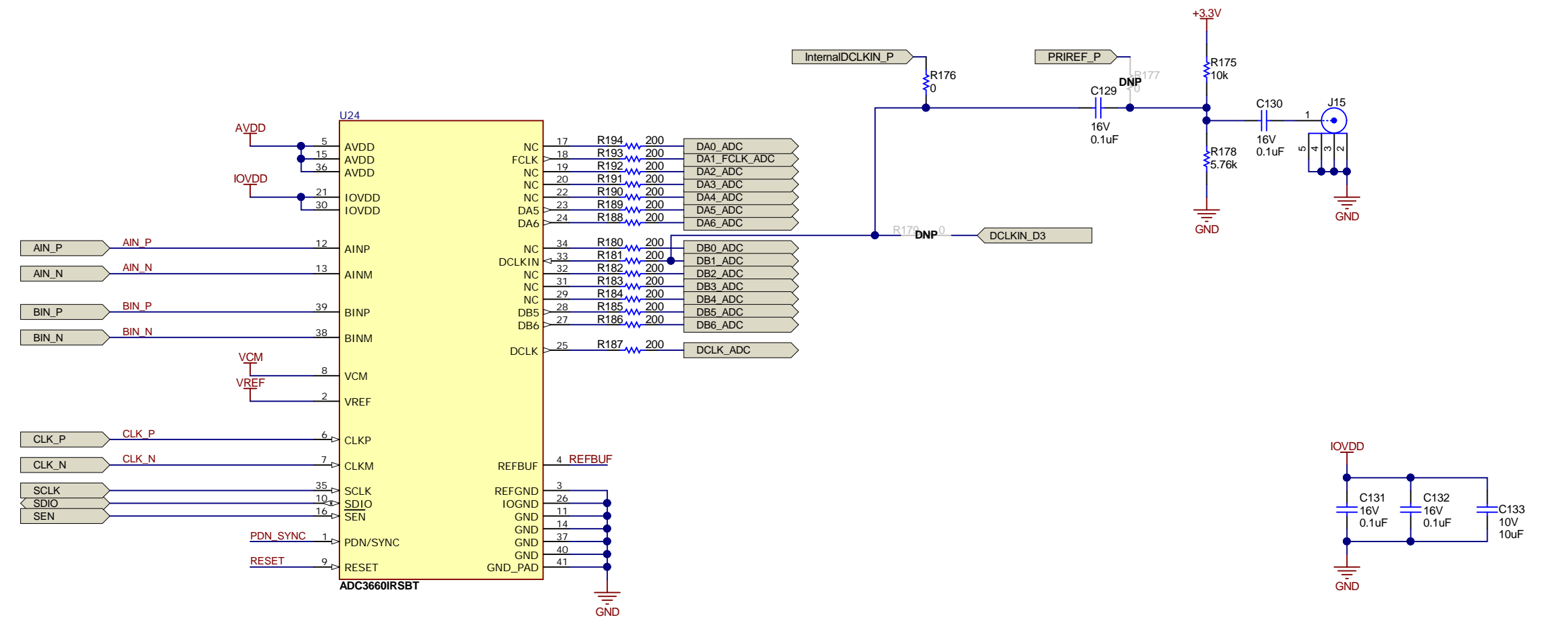
D

A

B

C

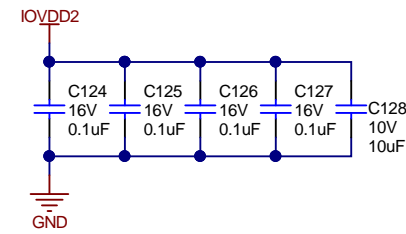
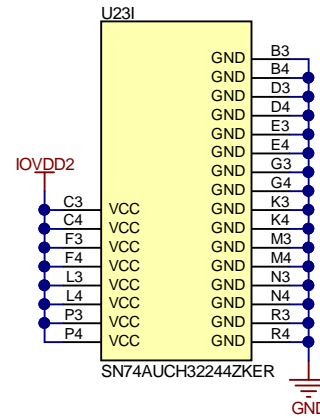
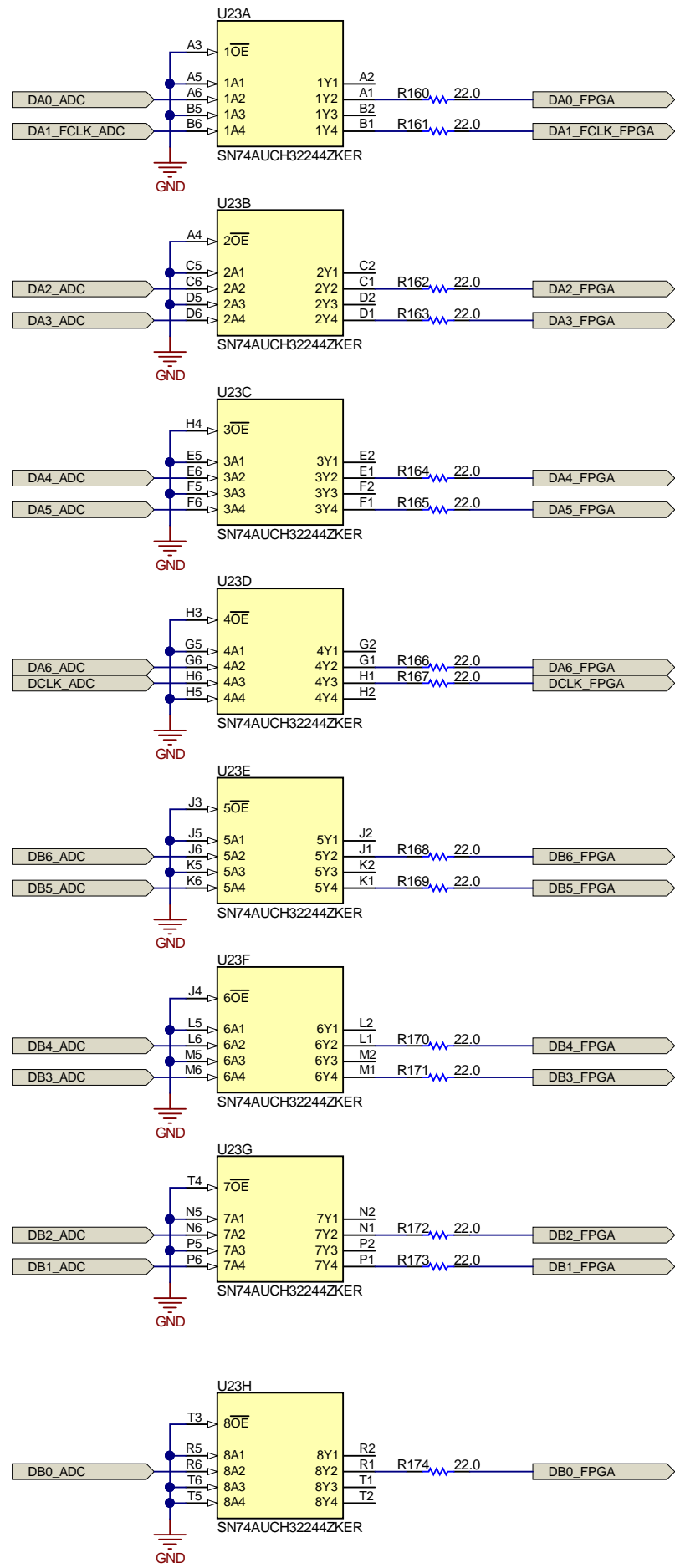
D



Texas Instruments and/or its licensors do not warrant the accuracy or completeness of this specification or any information contained therein. Texas Instruments and/or its licensors do not warrant that this design will meet the specifications, will be suitable for your application or fit for any particular purpose, or will operate in an implementation. Texas Instruments and/or its licensors do not warrant that the design is production worthy. You should completely validate and test your design implementation to confirm the system functionality for your application.

Orderable: ADC3643EVM	Designed for: Public Release	Mod. Date: 7/21/2020
TID #: N/A	Project Title: ADC3643EVM	
Number: DC104	Rev: C	Sheet Title:
SVN Rev: Not in version control	Assembly Variant: 001	Sheet: 1 of 10
Drawn By:	File: DC104A_Device.SchDoc	Size: B
Engineer: Daniel Brock	Contact: http://www.ti.com/support	

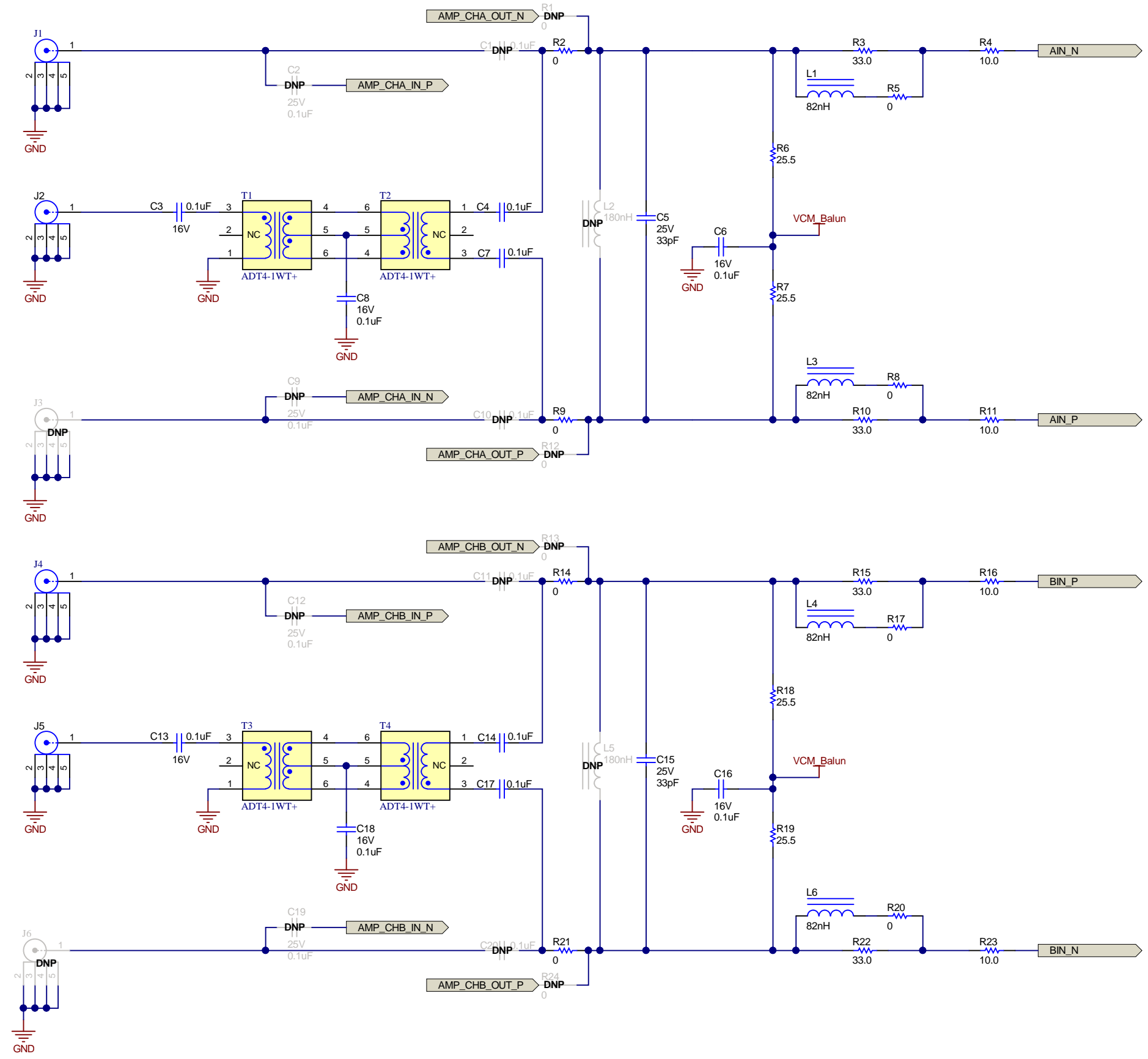




Texas Instruments and/or its licensors do not warrant the accuracy or completeness of this specification or any information contained therein. Texas Instruments and/or its licensors do not warrant that this design will meet the specifications, will be suitable for your application or fit for any particular purpose, or will operate in an implementation. Texas Instruments and/or its licensors do not warrant that the design is production worthy. You should completely validate and test your design implementation to confirm the system functionality for your application.

Orderable: ADC3643EVM	Designed for: Public Release	Mod. Date: 7/21/2020
TID #: N/A	Project Title: ADC3643EVM	
Number: DC104	Rev: C	Sheet Title:
SVN Rev: Not in version control	Assembly Variant: 001	Sheet: 2 of 10
Drawn By:	File: DC104A_Buffer.SchDoc	Size: B
Engineer: Daniel Brock	Contact: http://www.ti.com/support	

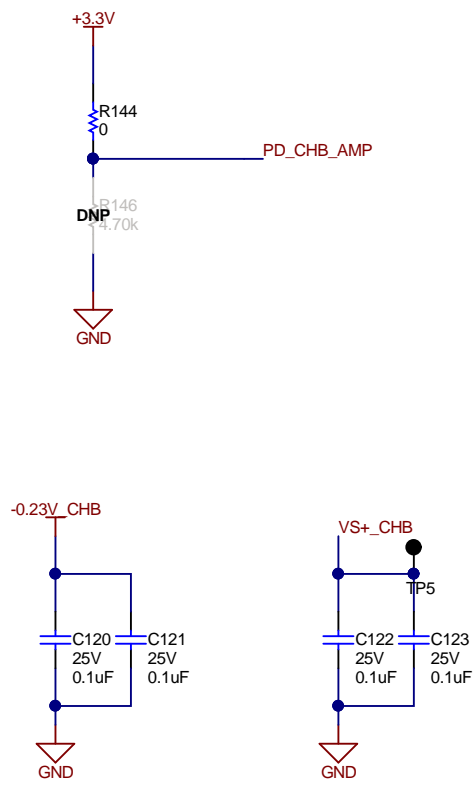
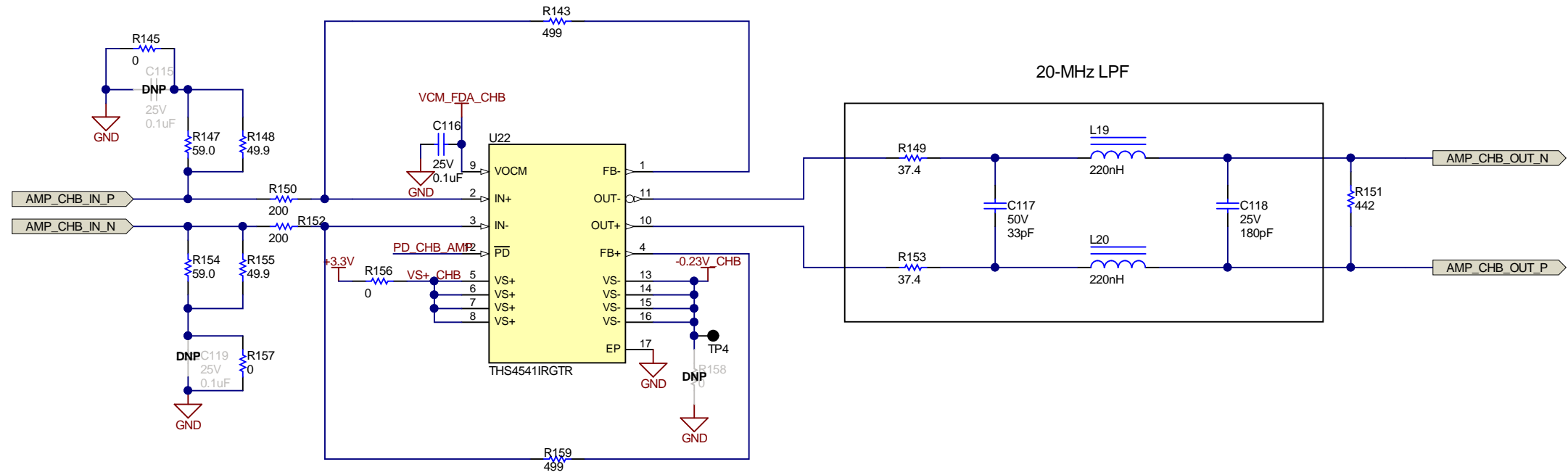
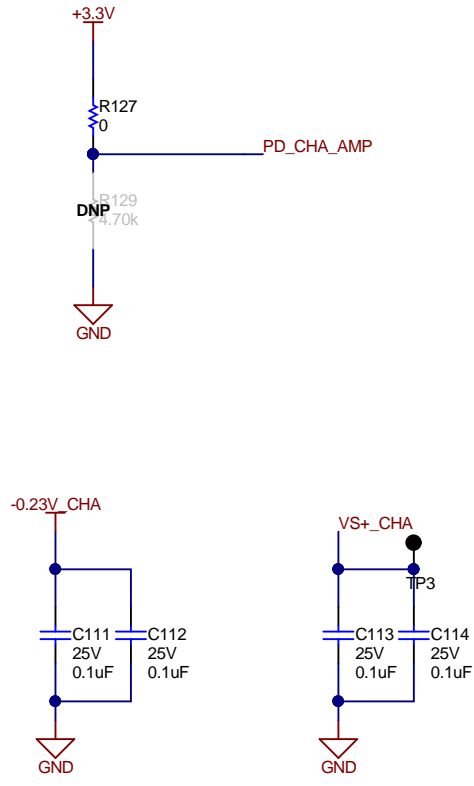
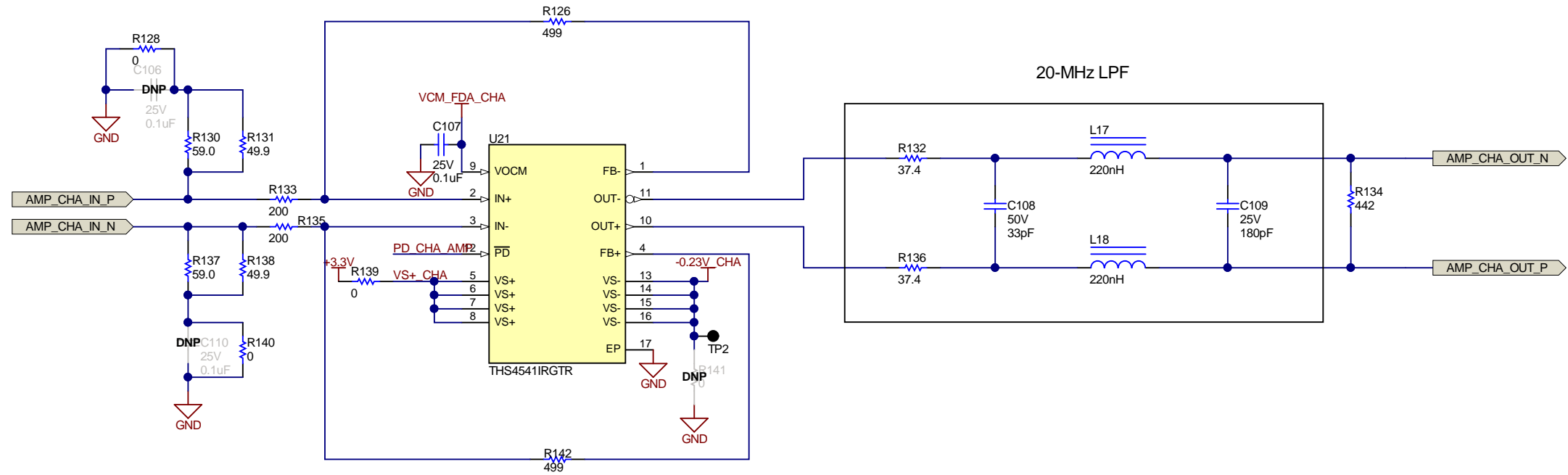




Texas Instruments and/or its licensors do not warrant the accuracy or completeness of this specification or any information contained therein. Texas Instruments and/or its licensors do not warrant that this design will meet the specifications, will be suitable for your application or fit for any particular purpose, or will operate in an implementation. Texas Instruments and/or its licensors do not warrant that the design is production worthy. You should completely validate and test your design implementation to confirm the system functionality for your application.

Orderable: ADC3643EVM	Designed for: Public Release	Mod. Date: 7/21/2020
TID #: N/A	Project Title: ADC3643EVM	
Number: DC104	Rev: C	Sheet Title:
SVN Rev: Not in version control	Assembly Variant: 001	Sheet: 3 of 10
Drawn By:	File: DC104A_Balun.SchDoc	Size: B
Engineer: Daniel Brock	Contact: http://www.ti.com/support	

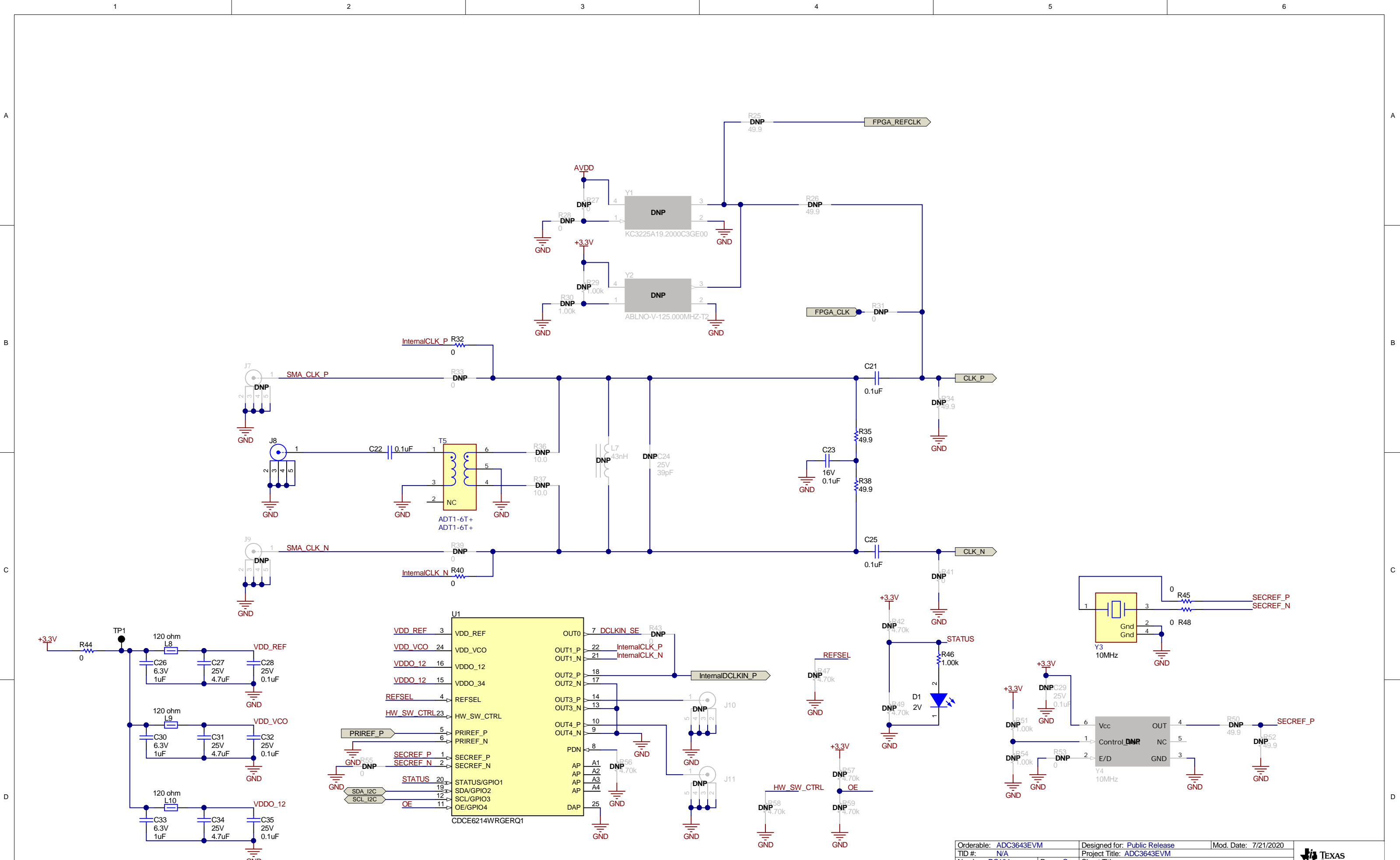




Texas Instruments and/or its licensors do not warrant the accuracy or completeness of this specification or any information contained therein. Texas Instruments and/or its licensors do not warrant that this design will meet the specifications, will be suitable for your application or fit for any particular purpose, or will operate in an implementation. Texas Instruments and/or its licensors do not warrant that the design is production worthy. You should completely validate and test your design implementation to confirm the system functionality for your application.

Orderable: ADC3643EVM	Designed for: Public Release	Mod. Date: 7/21/2020
TID #: N/A	Project Title: ADC3643EVM	
Number: DC104	Rev: C	Sheet Title:
SVN Rev: Not in version control	Assembly Variant: 001	Sheet: 4 of 10
Drawn By:	File: DC104A_FDA.SchDoc	Size: B
Engineer: Daniel Brock	Contact: http://www.ti.com/support	

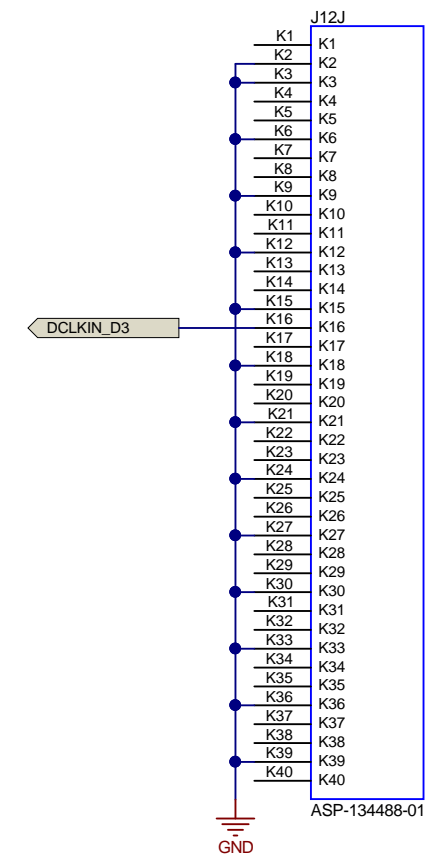
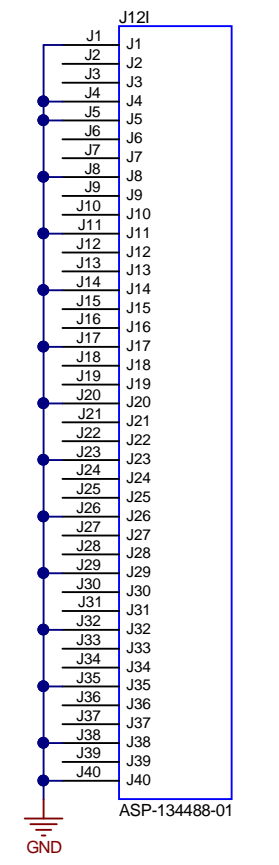
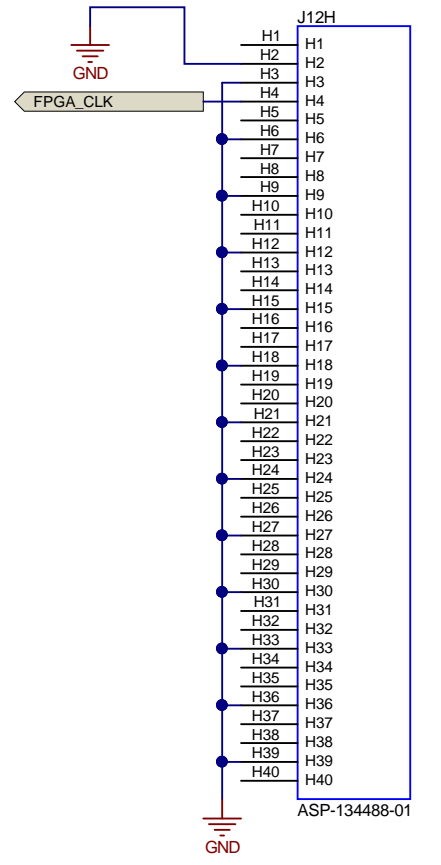
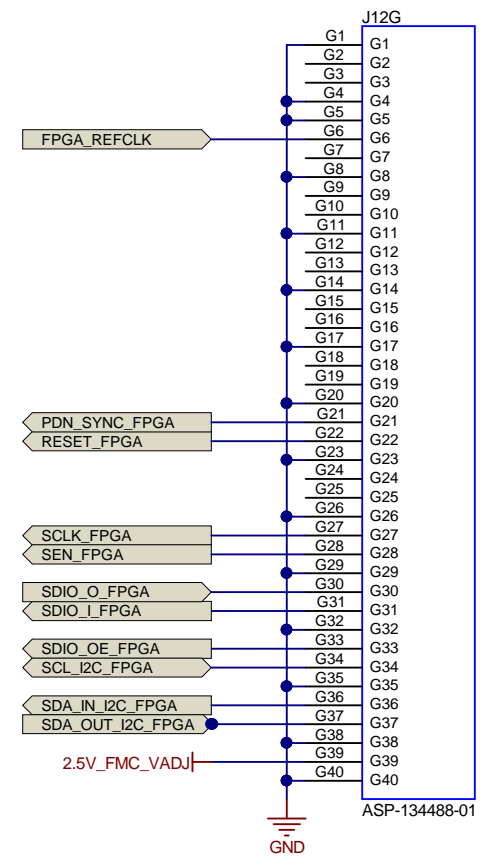
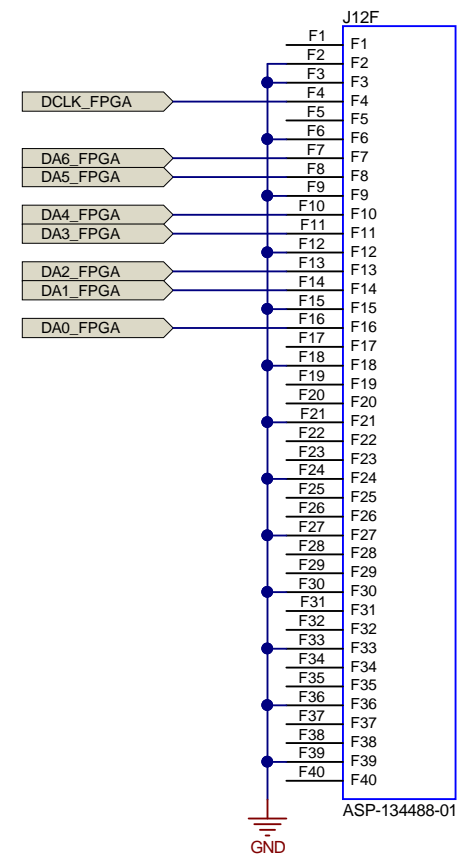
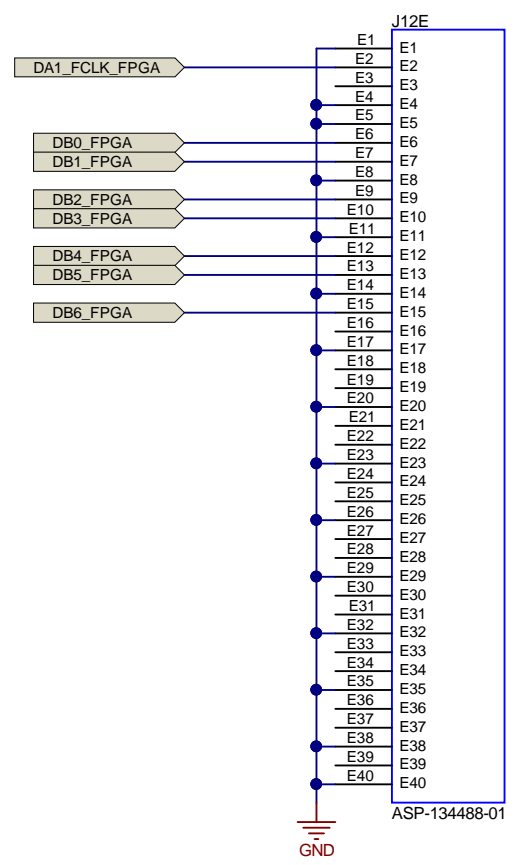
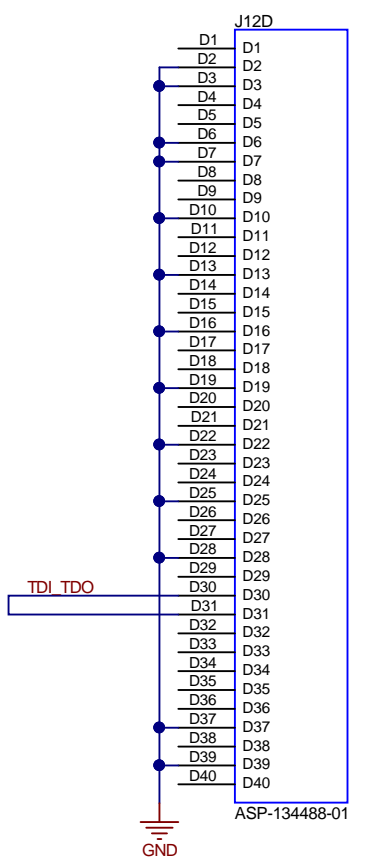
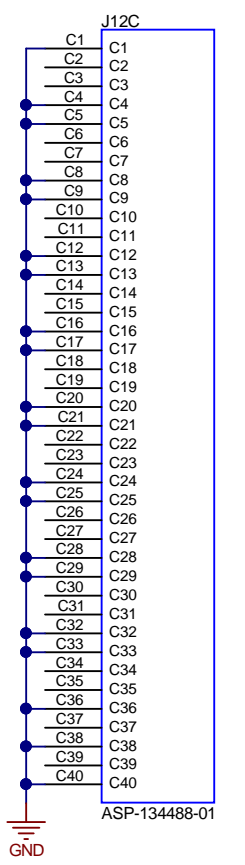
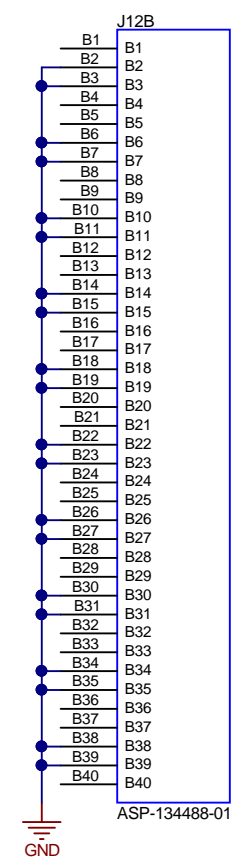
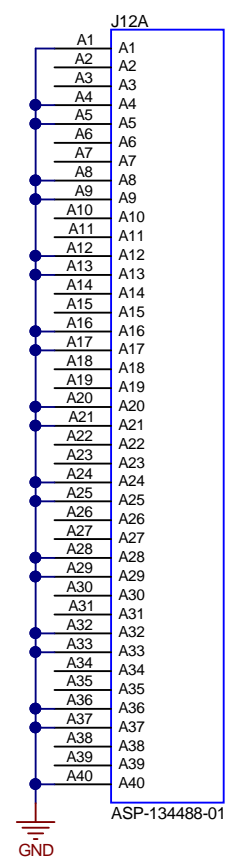




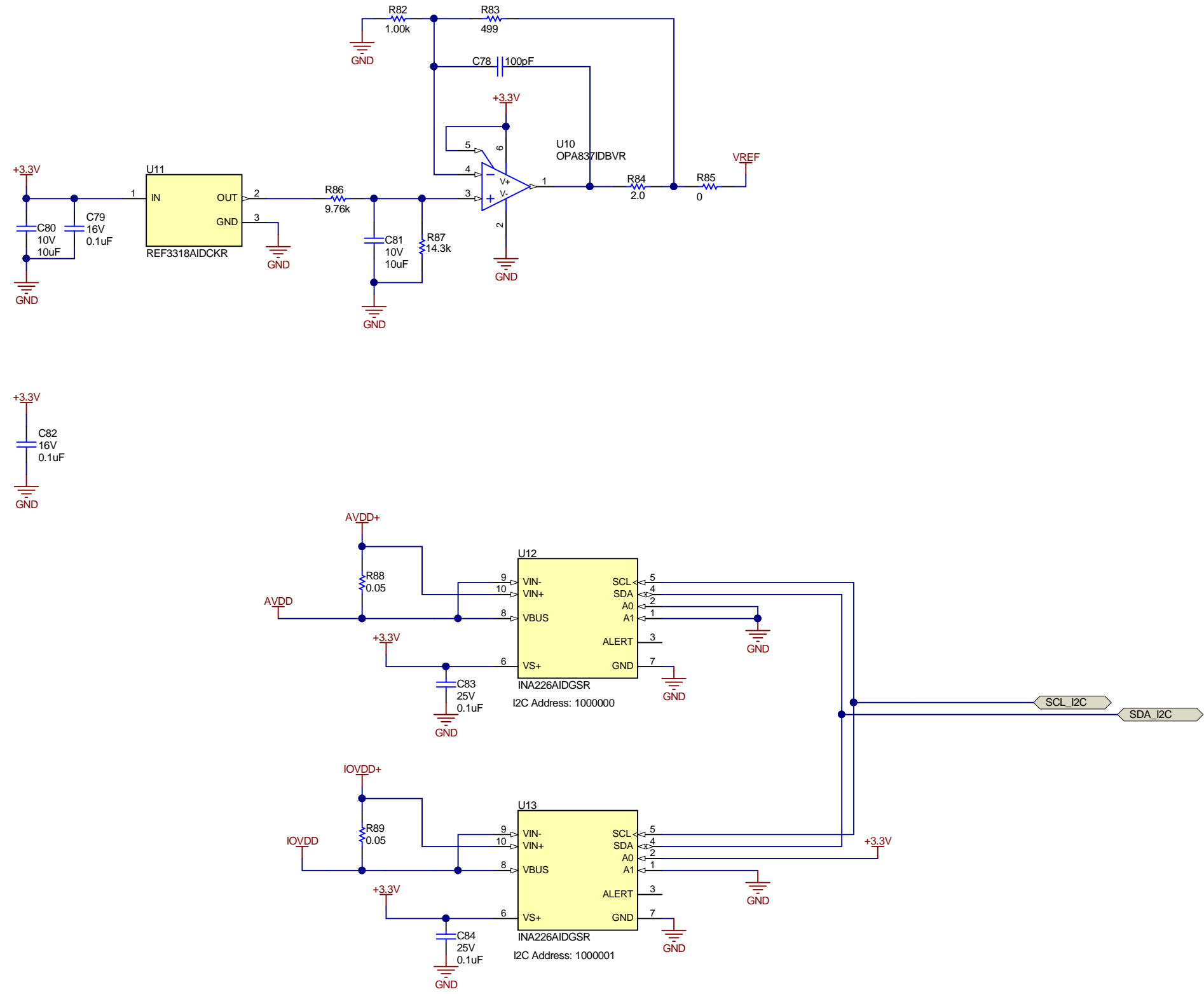
Texas Instruments and/or its licensors do not warrant the accuracy or completeness of this specification or any information contained therein. Texas Instruments and/or its licensors do not warrant that this design will meet the specifications, will be suitable for your application or fit for any particular purpose, or will operate in an implementation. Texas Instruments and/or its licensors do not warrant that the design is production worthy. You should completely validate and test your design implementation to confirm the system functionality for your application.

Orderable: ADC3643EVM	Designed for: Public Release	Mod. Date: 7/21/2020
TID #: N/A	Project Title: ADC3643EVM	
Number: DC104	Rev: C	Sheet Title:
SVN Rev: Not in version control	Assembly Variant: 001	Sheet: 5 of 10
Drawn By:	File: DC104A_CLK.SchDoc	Size: B
Engineer: Daniel Brock	Contact: http://www.ti.com/support	





Texas Instruments and/or its licensors do not warrant the accuracy or completeness of this specification or any information contained therein. Texas Instruments and/or its licensors do not warrant that this design will meet the specifications, will be suitable for your application or fit for any particular purpose, or will operate in an implementation. Texas Instruments and/or its licensors do not warrant that the design is production worthy. You should completely validate and test your design implementation to confirm the system functionality for your application.

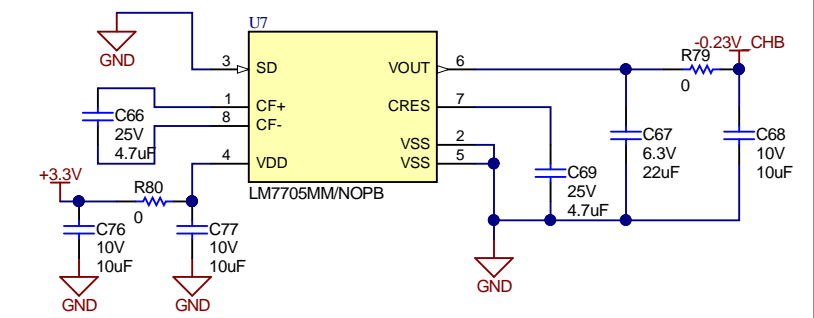
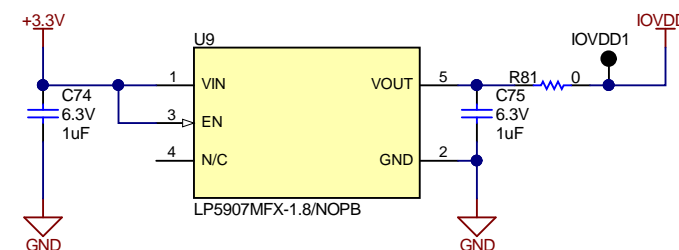
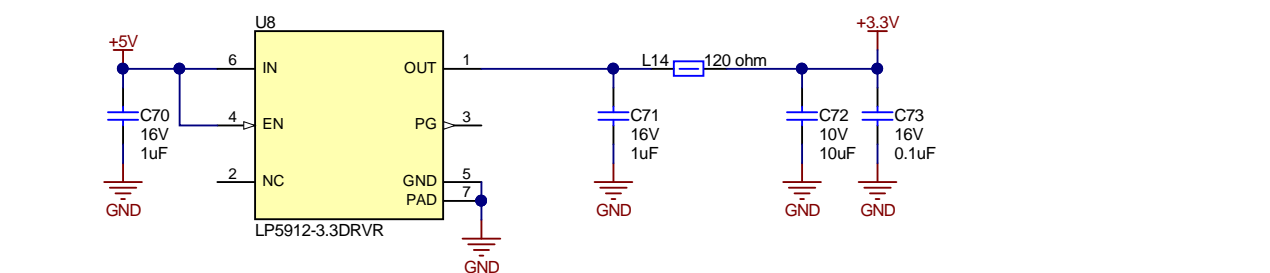
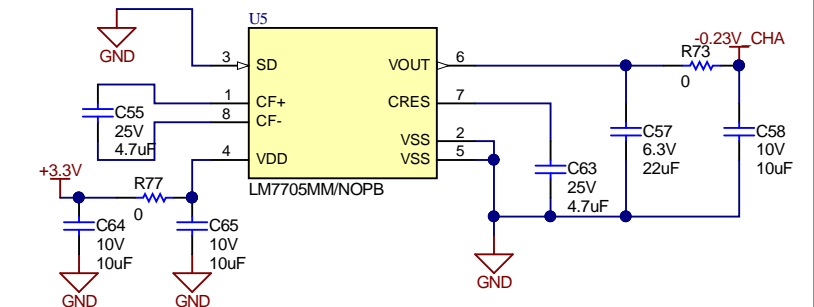
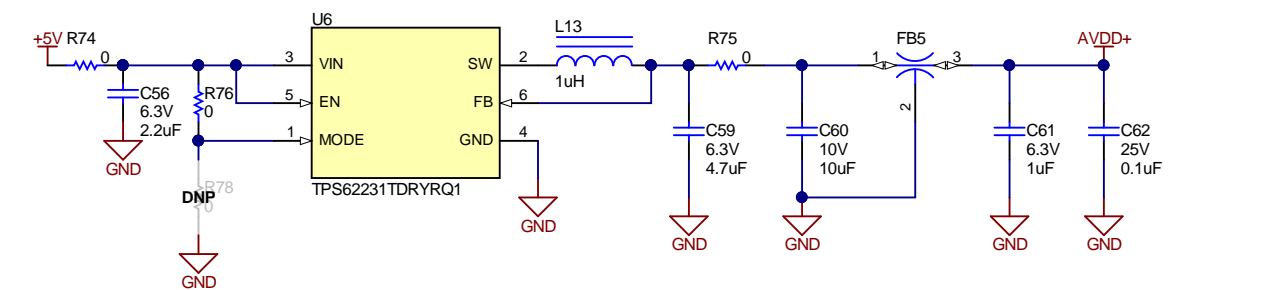
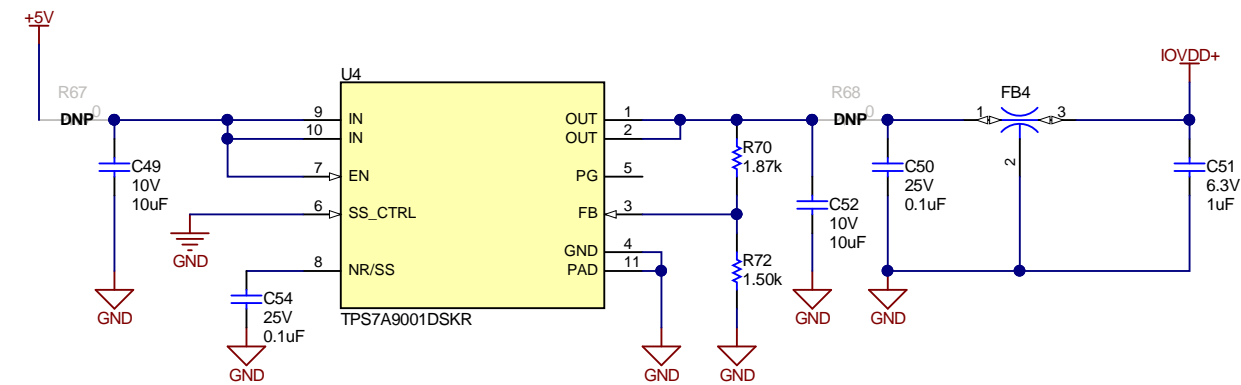
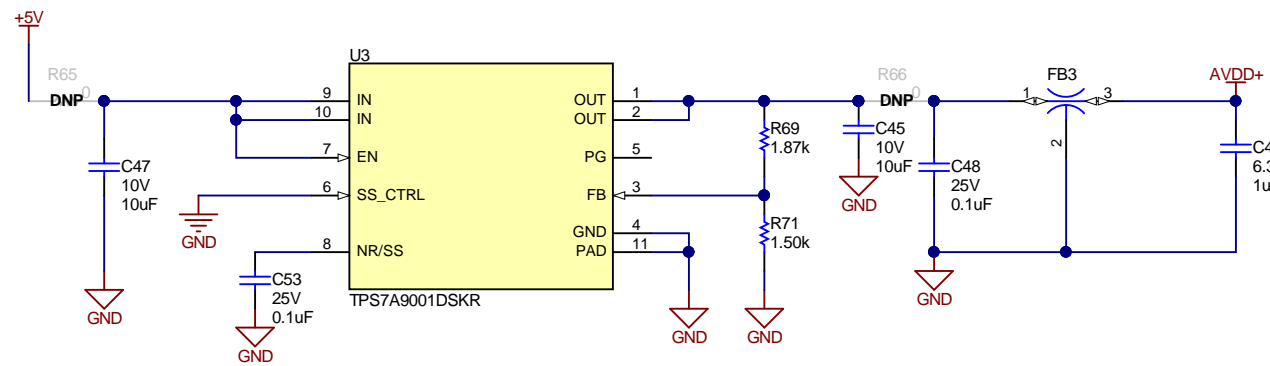
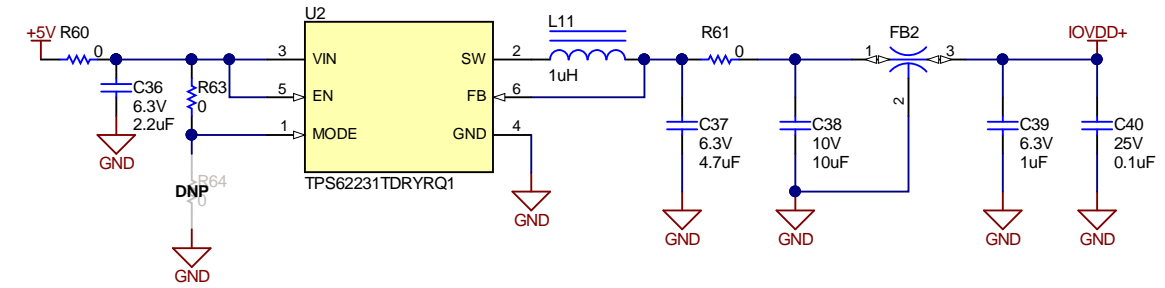
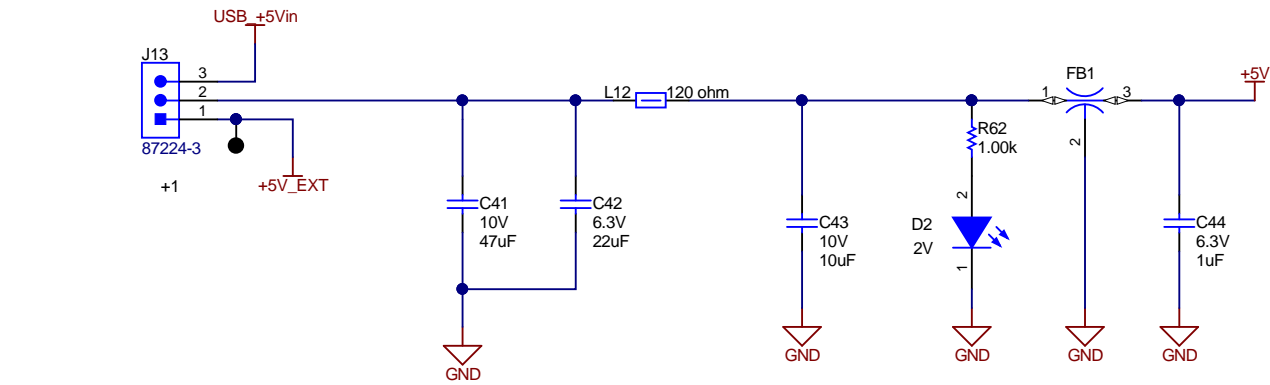


Texas Instruments and/or its licensors do not warrant the accuracy or completeness of this specification or any information contained therein. Texas Instruments and/or its licensors do not warrant that this design will meet the specifications, will be suitable for your application or fit for any particular purpose, or will operate in an implementation. Texas Instruments and/or its licensors do not warrant that the design is production worthy. You should completely validate and test your design implementation to confirm the system functionality for your application.

Orderable: ADC3643EVM	Designed for: Public Release	Mod. Date: 7/21/2020
TID #: N/A	Project Title: ADC3643EVM	
Number: DC104	Rev: C	Sheet Title:
SVN Rev: Not in version control	Assembly Variant: 001	Sheet: 8 of 10
Drawn By:	File: DC104A_Reference_SchDoc	Size: B
Engineer: Daniel Brock	Contact: http://www.ti.com/support	



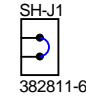
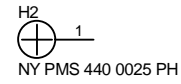
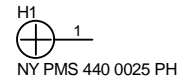
Power Supply



Texas Instruments and/or its licensors do not warrant the accuracy or completeness of this specification or any information contained therein. Texas Instruments and/or its licensors do not warrant that this design will meet the specifications, will be suitable for your application or fit for any particular purpose, or will operate in an implementation. Texas Instruments and/or its licensors do not warrant that the design is production worthy. You should completely validate and test your design implementation to confirm the system functionality for your application.

Orderable: ADC3643EVM	Designed for: Public Release	Mod. Date: 7/21/2020
TID #: N/A	Project Title: ADC3643EVM	
Number: DC104	Rev: C	Sheet Title: Power-Supply_Buffer
SVN Rev: Not in version control	Assembly Variant: 001	Sheet: 9 of 10
Drawn By: Daniel Brock	File: DC104A_Power.SchDoc	Size: B
Engineer: Daniel Brock	Contact: http://www.ti.com/support	





Jumper 2-3

PCB Number: DC104
PCB Rev: C

PCB LOGO
Texas Instruments



PCB LOGO
FCC disclaimer

PCB LOGO
WEEE logo

PCB Number: DC104
PCB Rev: C

LBL1
PCB Label
THT-14-423-10
Size: 0.65" x 0.20 "


Variant/Label Table	
Variant	Label Text
001	ADC3660EVM
002	ADC3643EVM
003	ADC3642EVM
004	ADC3644EVM

ZZ1
Label Assembly Note
This Assembly Note is for PCB labels only

ZZ2
Assembly Note
These assemblies are ESD sensitive, ESD precautions shall be observed.

ZZ3
Assembly Note
These assemblies must be clean and free from flux and all contaminants. Use of no clean flux is not acceptable.

ZZ4
Assembly Note
These assemblies must comply with workmanship standards IPC-A-610 Class 2, unless otherwise specified.

Orderable: ADC3643EVM	Designed for: Public Release	Mod. Date: 7/21/2020	 TEXAS INSTRUMENTS http://www.ti.com © Texas Instruments 2020
TID #: N/A	Project Title: ADC3643EVM		
Number: DC104	Rev: C	Sheet Title:	
SVN Rev: Not in version control	Assembly Variant: 001	Sheet: 10 of 10	
Drawn By:	File: DC104A_Hardware.SchDoc	Size: B	
Engineer: Daniel Brock	Contact: http://www.ti.com/support		

Texas Instruments and/or its licensors do not warrant the accuracy or completeness of this specification or any information contained therein. Texas Instruments and/or its licensors do not warrant that this design will meet the specifications, will be suitable for your application or fit for any particular purpose, or will operate in an implementation. Texas Instruments and/or its licensors do not warrant that the design is production worthy. You should completely validate and test your design implementation to confirm the system functionality for your application.