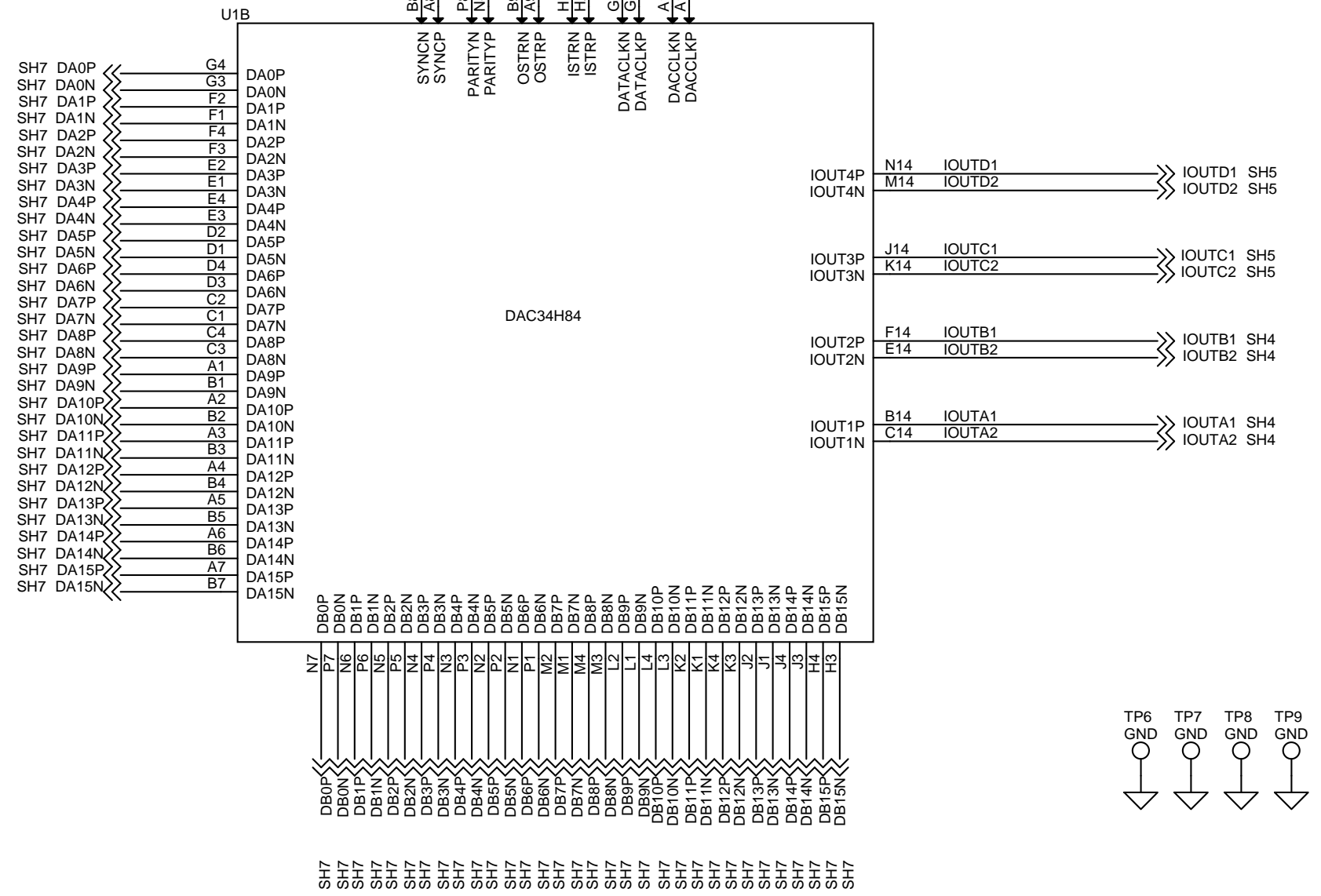
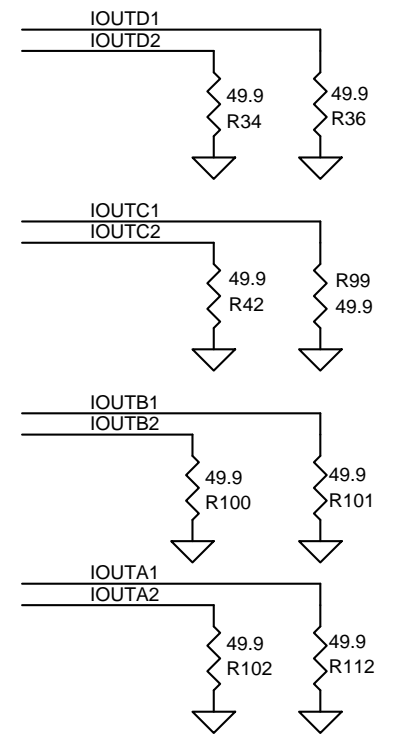


Source Termination
(place as close as possible to the DAC)



NOTES:
1) DNI = DO NOT INSTALL

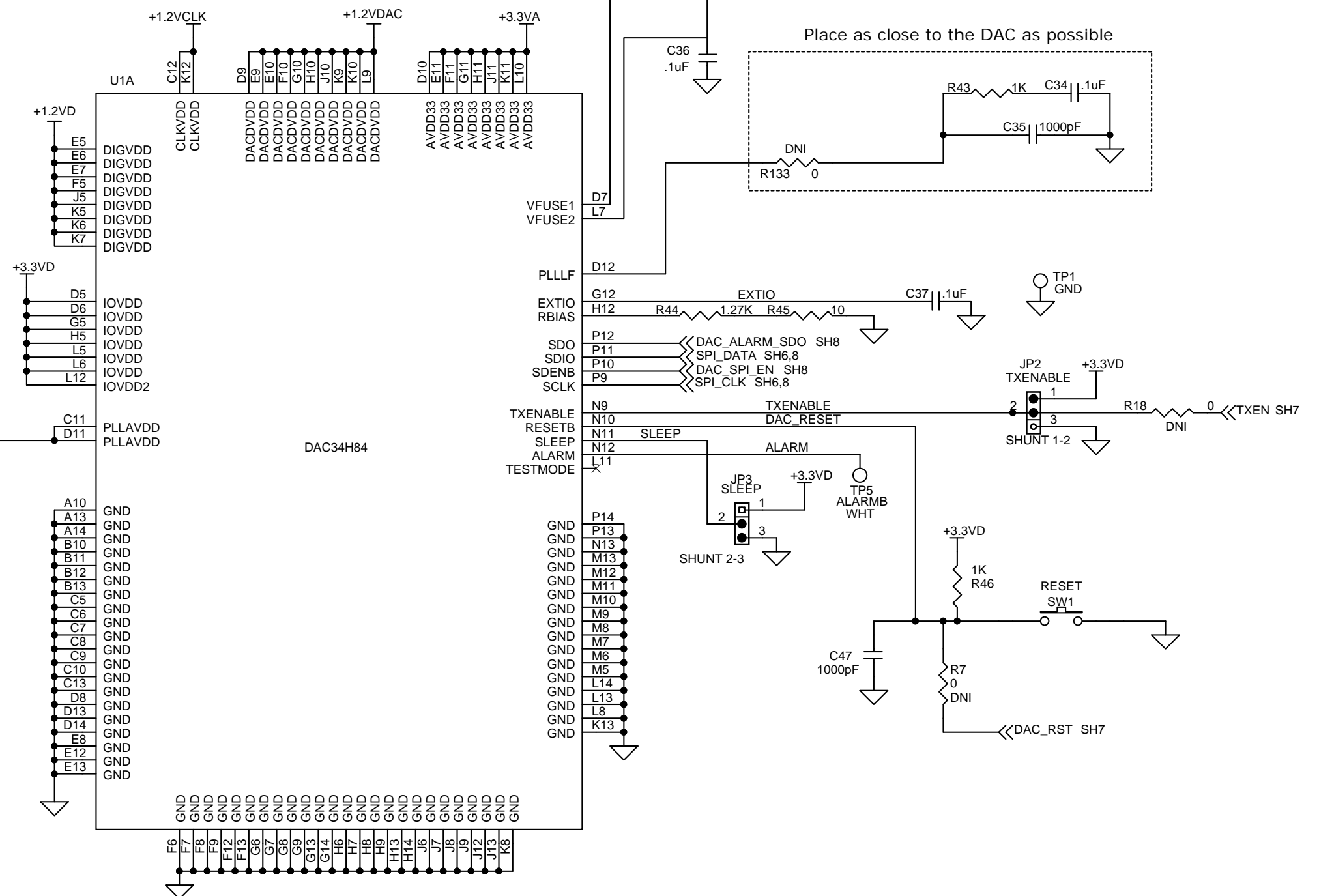
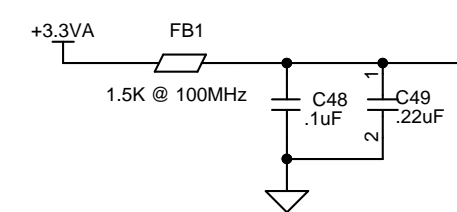
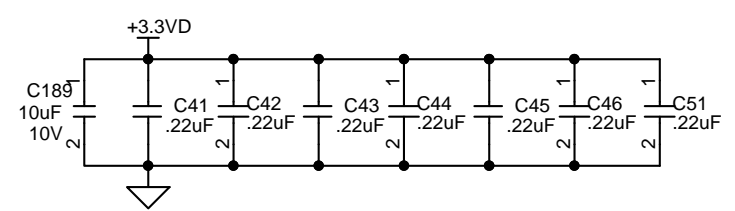
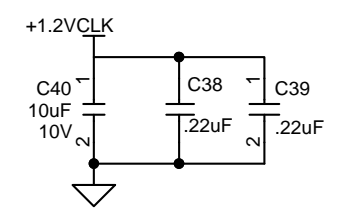
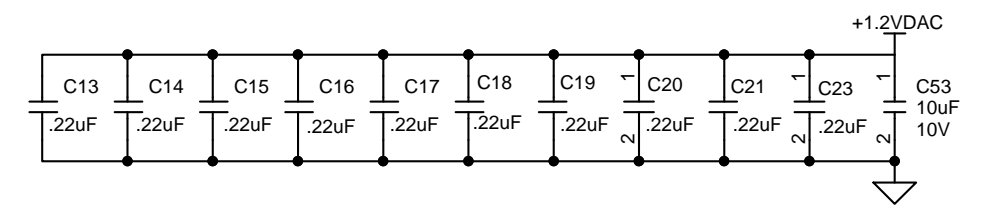
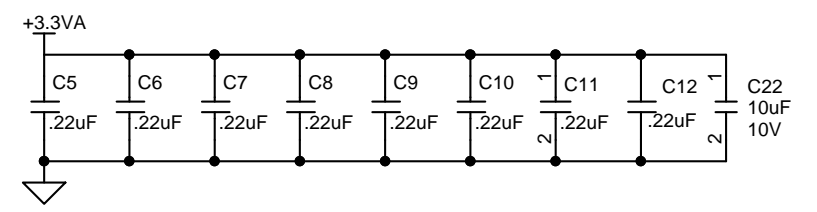
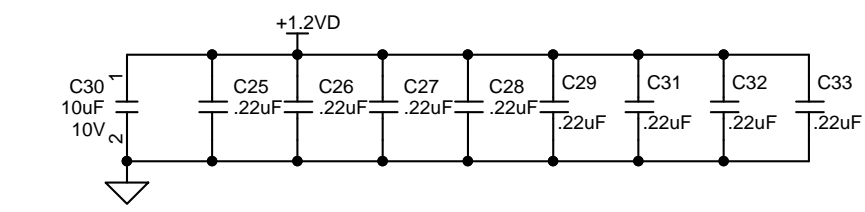
TEXAS INSTRUMENTS

Title: **TSW30H8X EVM**

Size: **B** Document Number: **DAC** Rev: **C**

Drawn: L. Nguyen
Engineer: K. Hsia

Date: Wednesday, February 12, 2014 Sheet 1 of 9

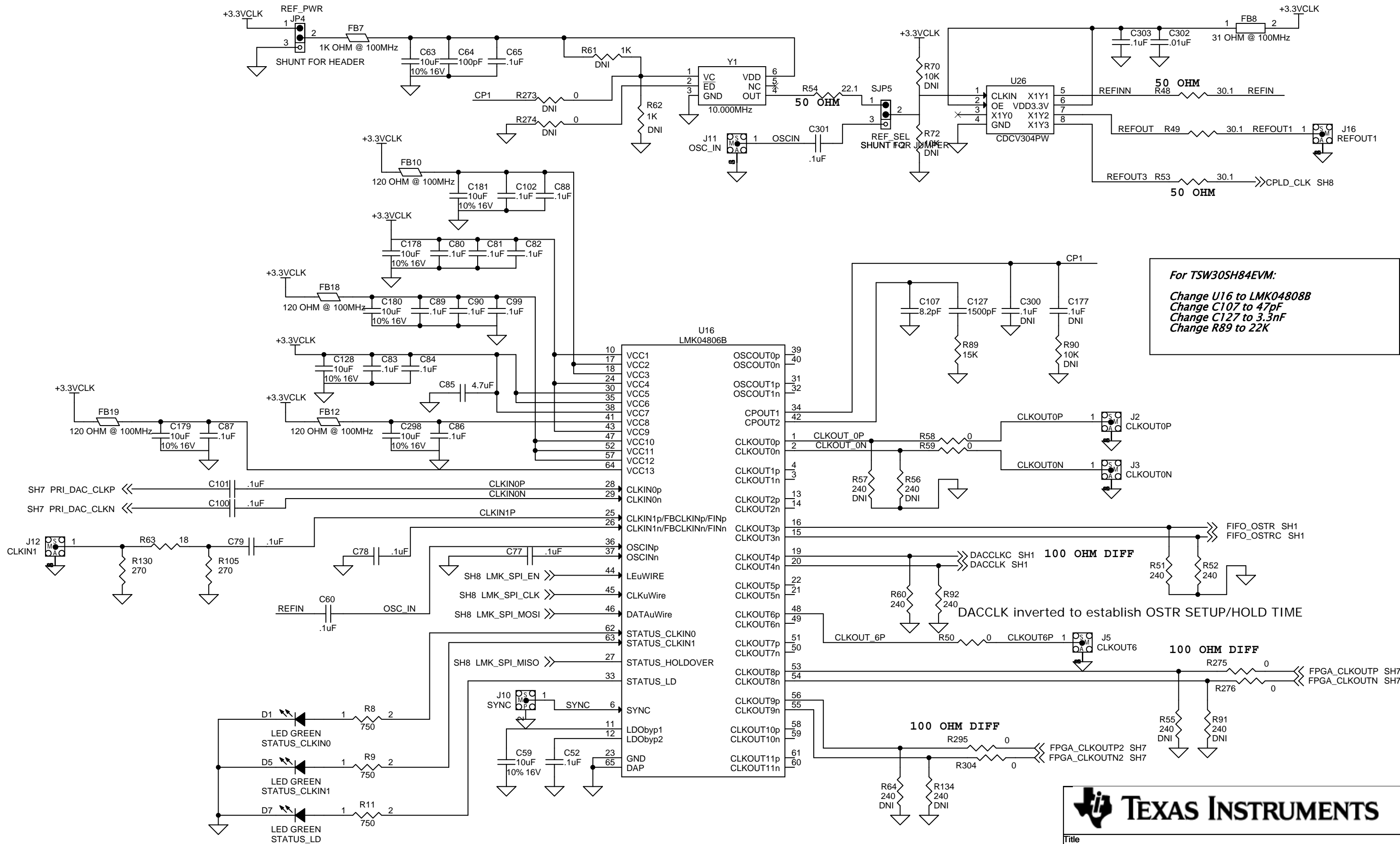


TEXAS INSTRUMENTS

Title: **TSW30H8X EVM**

Size: **B** Document Number: **DAC** Rev: **C**

Date: Wednesday, February 12, 2014 Sheet 2 of 9



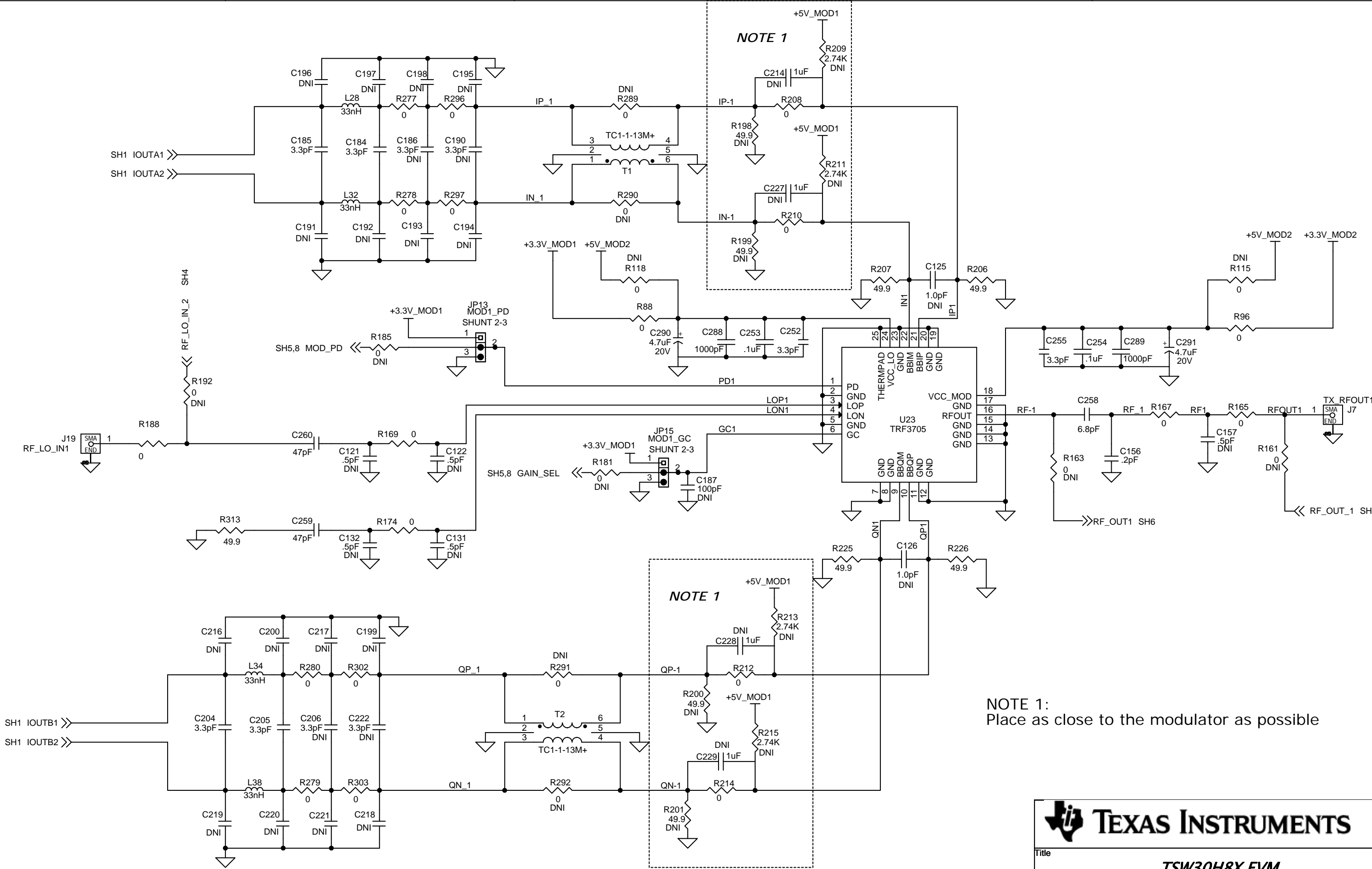
For TSW30SH84EVM:
 Change U16 to LMK04808B
 Change C107 to 47pF
 Change C127 to 3.3nF
 Change R89 to 22K

DACCLK inverted to establish OSTR SETUP/HOLD TIME

TEXAS INSTRUMENTS

Title: **TSW30H8X EVM**

Size: B	Document Number: CLOCK	Rev: C
Date: Wednesday, February 12, 2014	Sheet: 3	of 9



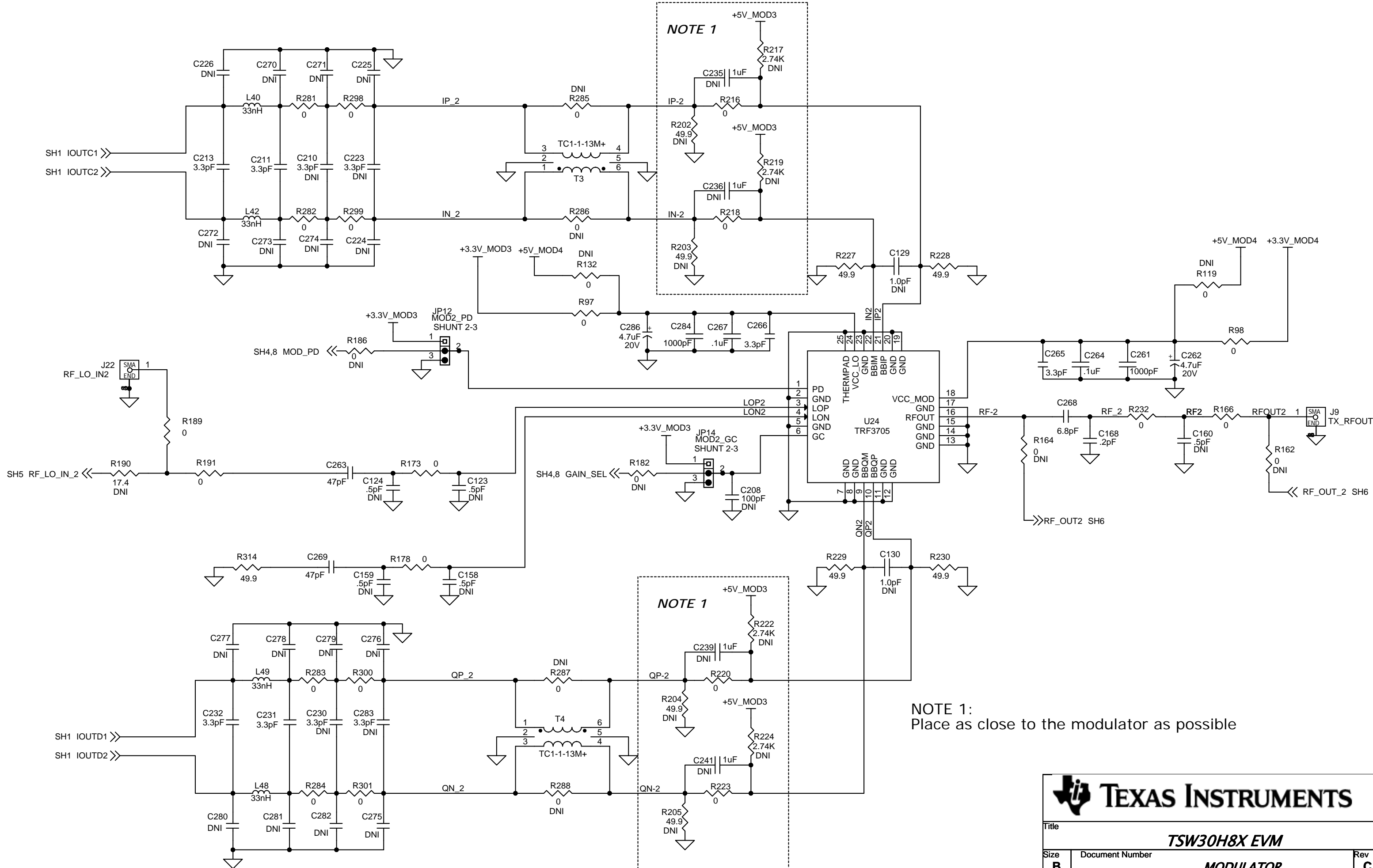
NOTE 1

NOTE 1

NOTE 1:
Place as close to the modulator as possible

TEXAS INSTRUMENTS

Title		
TSW30H8X EVM		
Size	Document Number	Rev
B	MODULATOR	C
Date:	Wednesday, February 12, 2014	Sheet 4 of 9



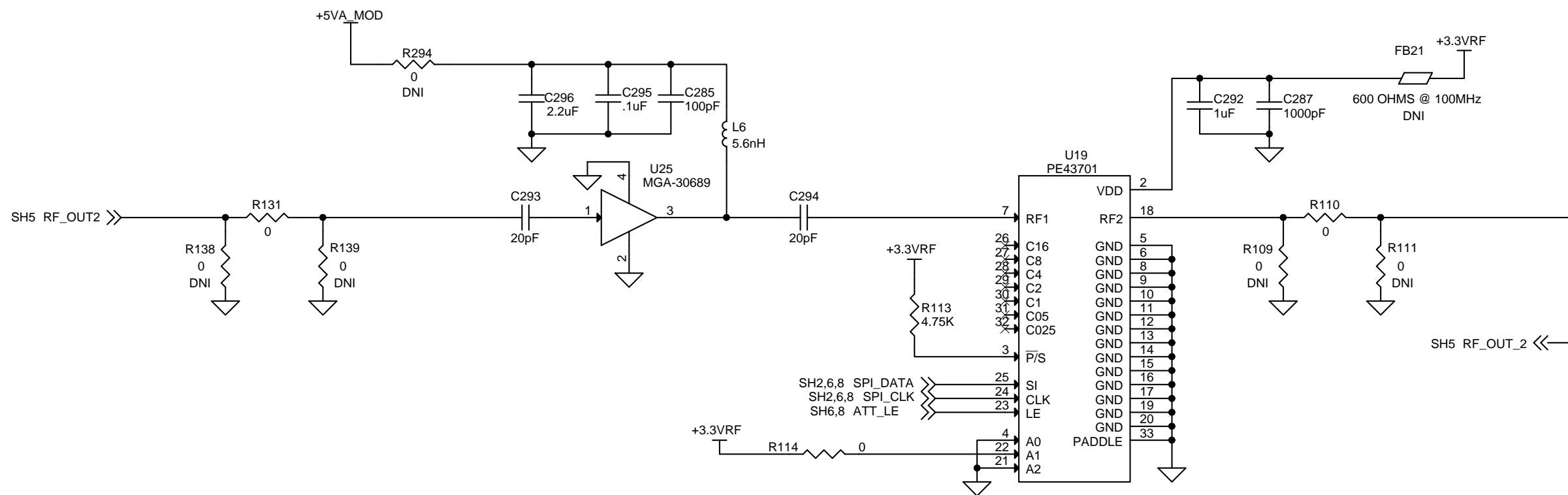
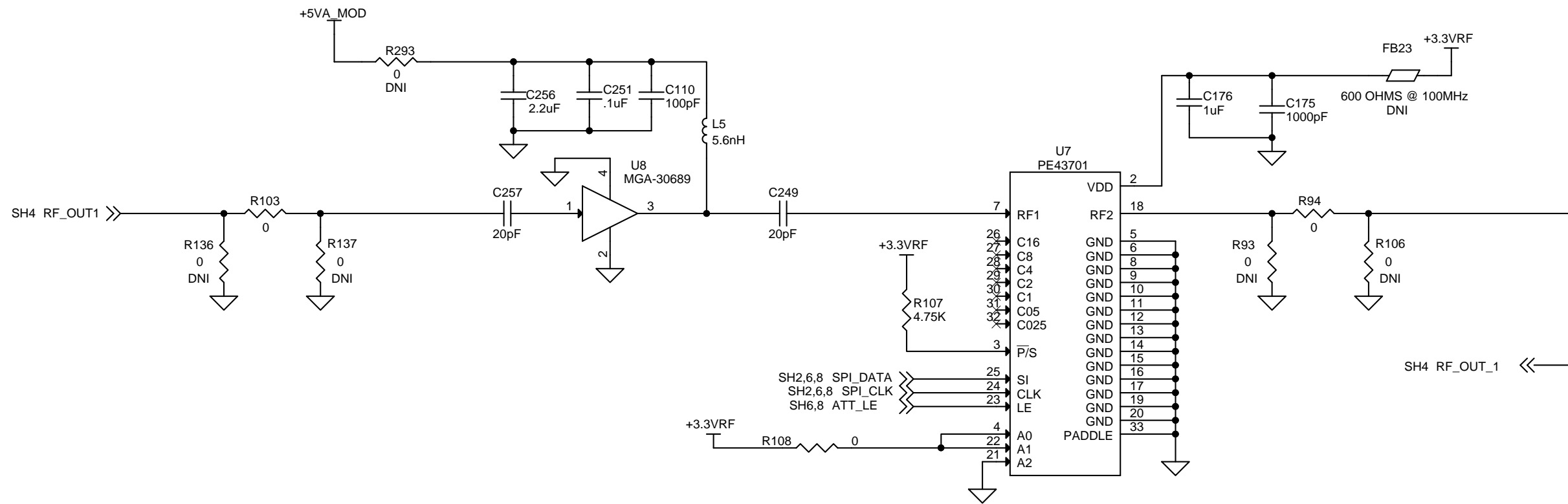
NOTE 1

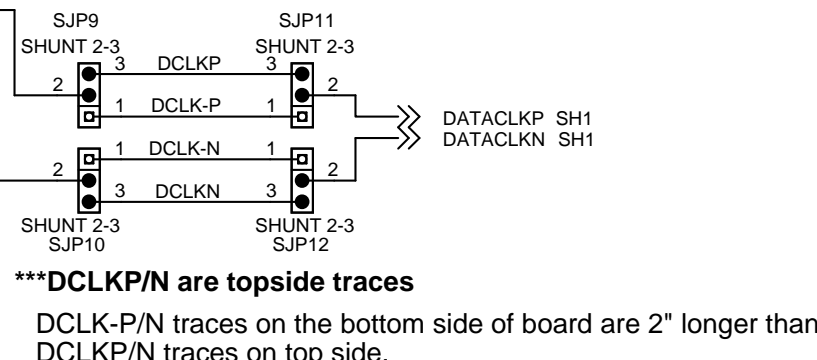
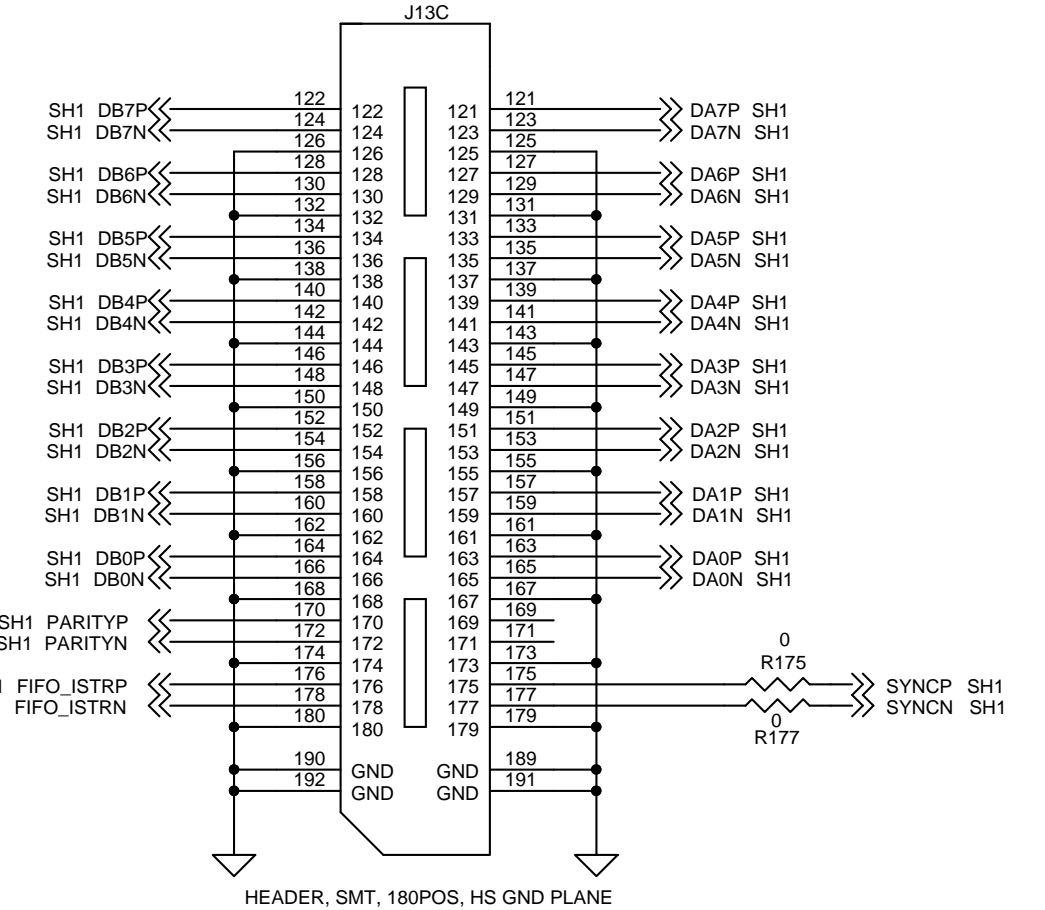
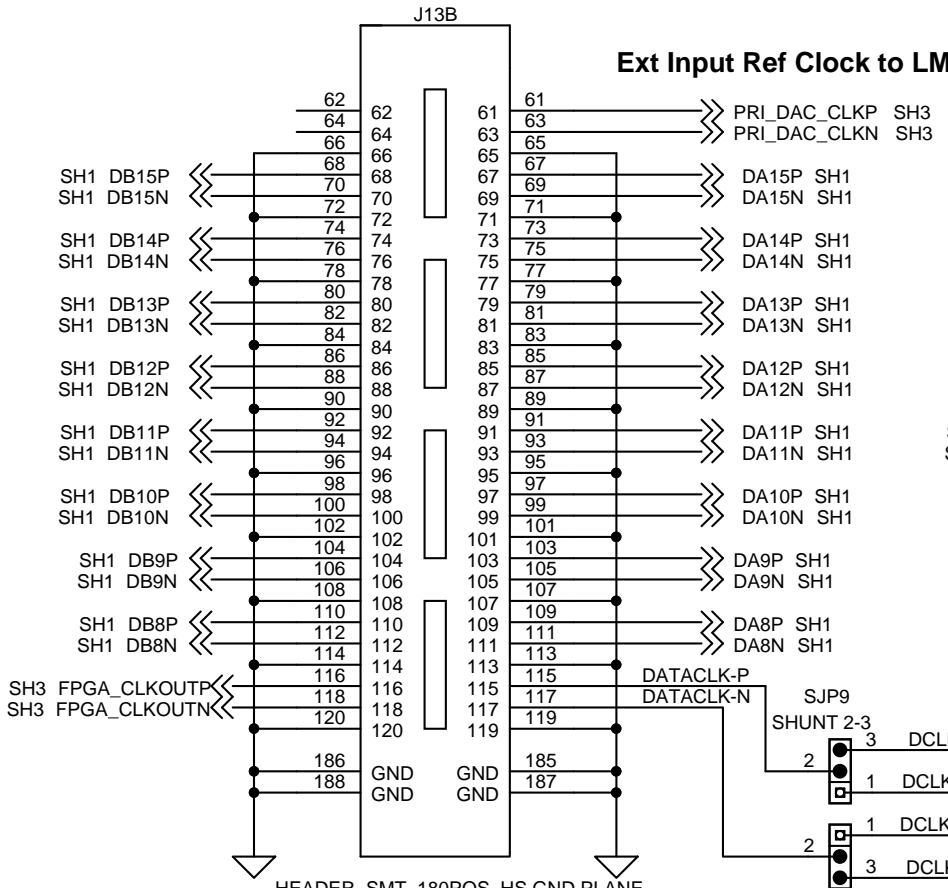
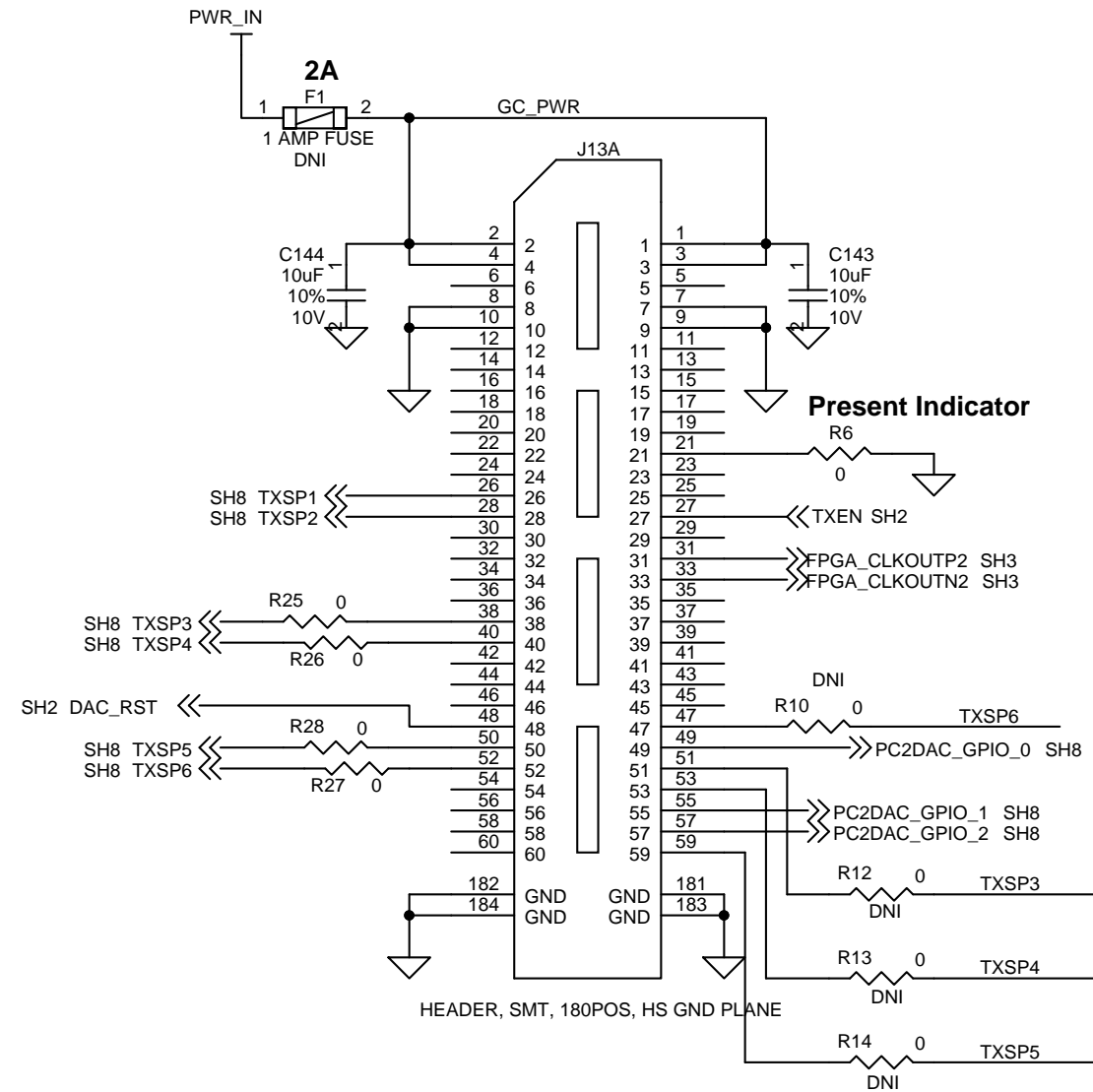
NOTE 1

NOTE 1:
Place as close to the modulator as possible

TEXAS INSTRUMENTS

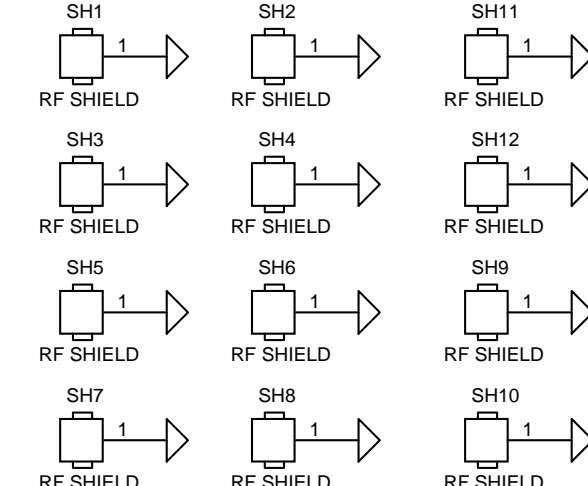
Title		
TSW30H8X EVM		
Size	Document Number	Rev
B	MODULATOR	C
Date:	Wednesday, February 12, 2014	Sheet 5 of 9



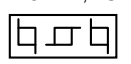


***DCLKP/N are topside traces
 DCLK-P/N traces on the bottom side of board are 2" longer than DCLKP/N traces on top side.

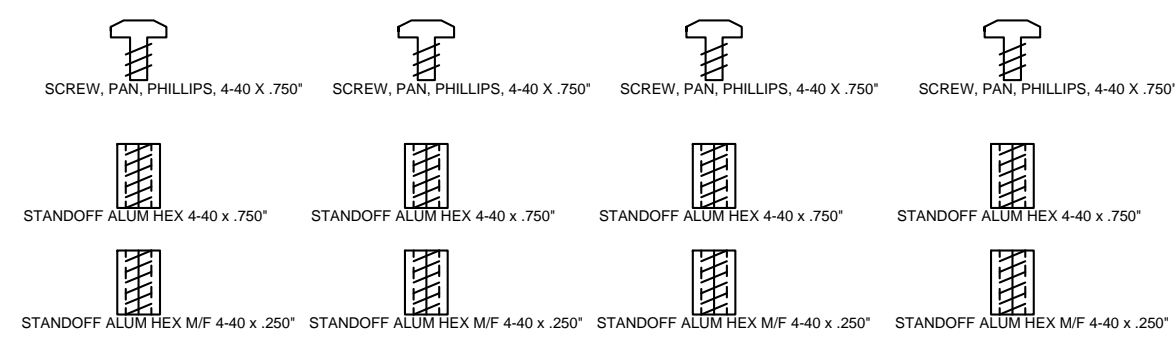
MOUNTING HOLES FOR THE RF SHIELDS - 2 RF SHIELDS PER BOARD



BARE BOARD, TSW30H8X



Install the .250" standoffs on the bottom of the .750" standoffs to make a 1.00" standoff.

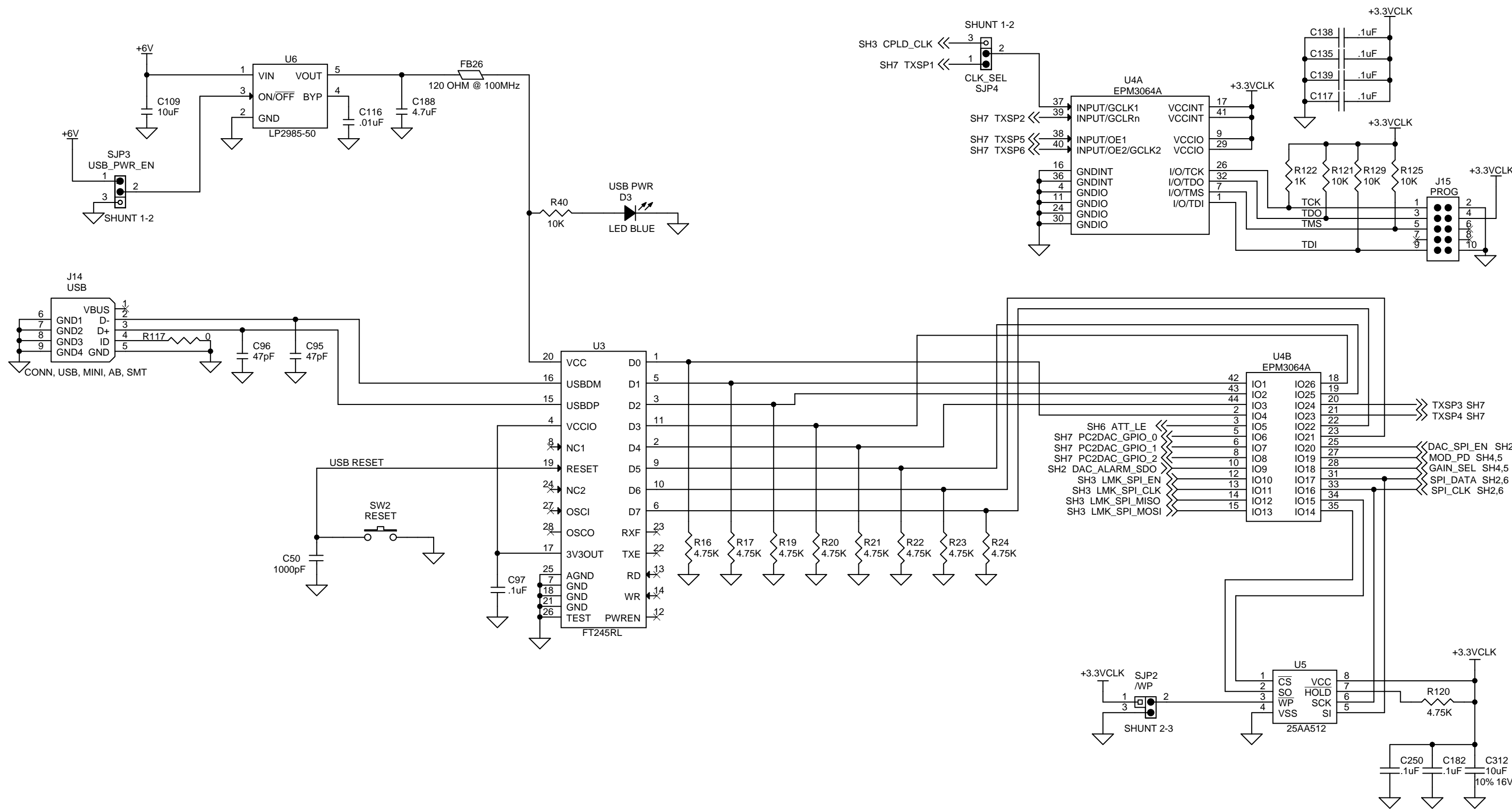


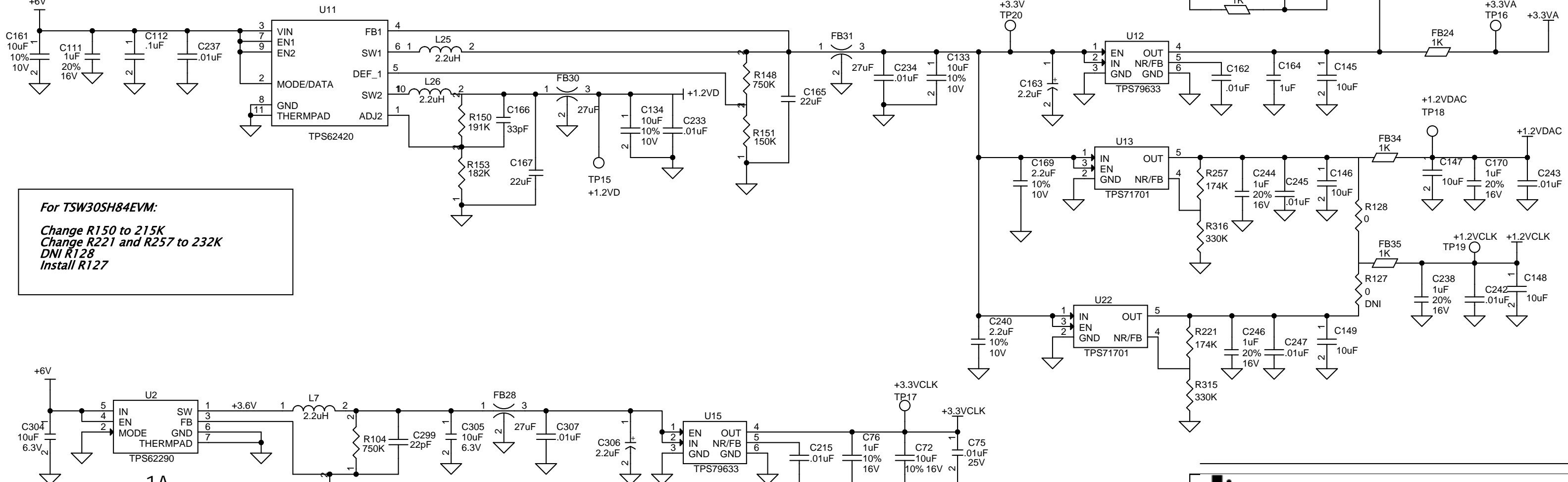
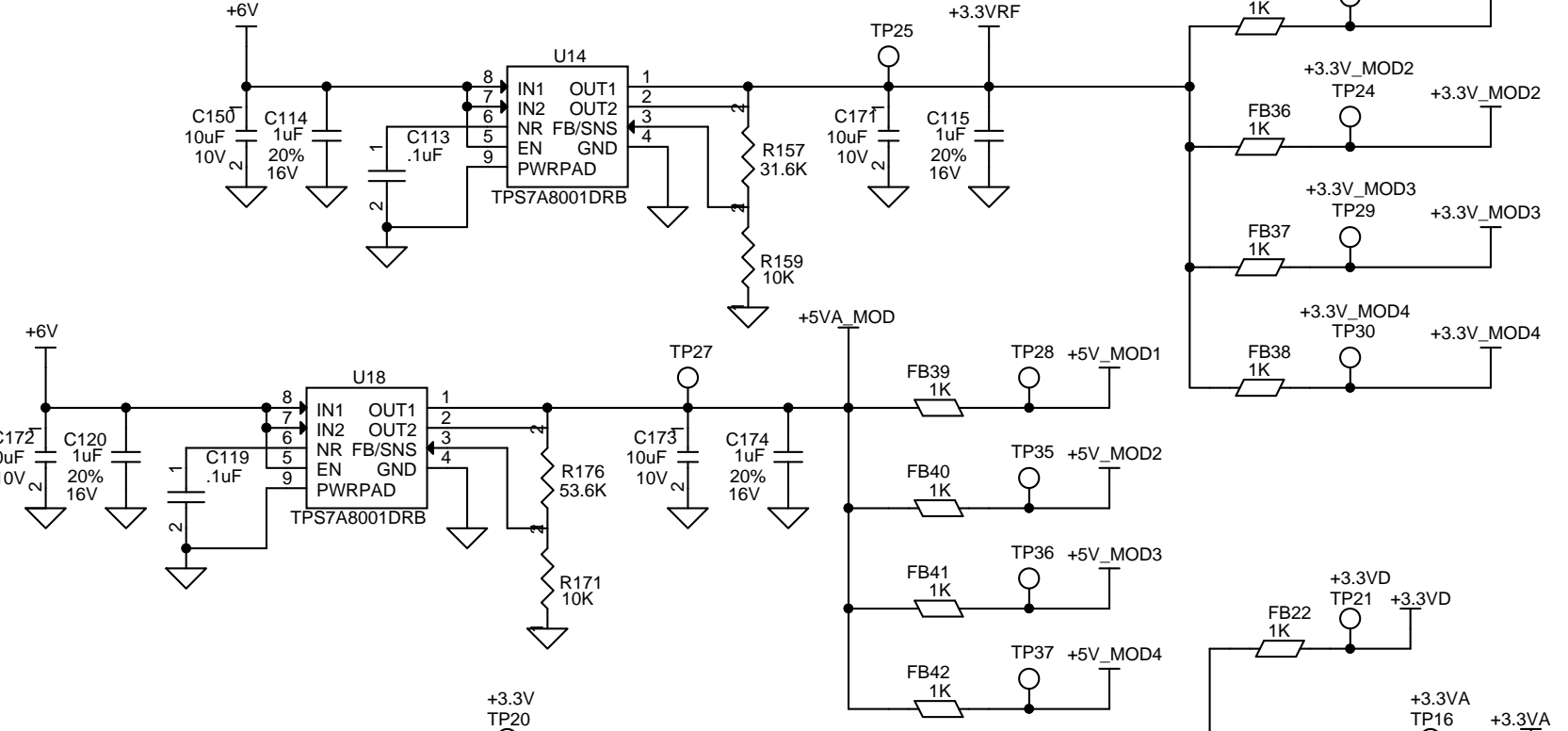
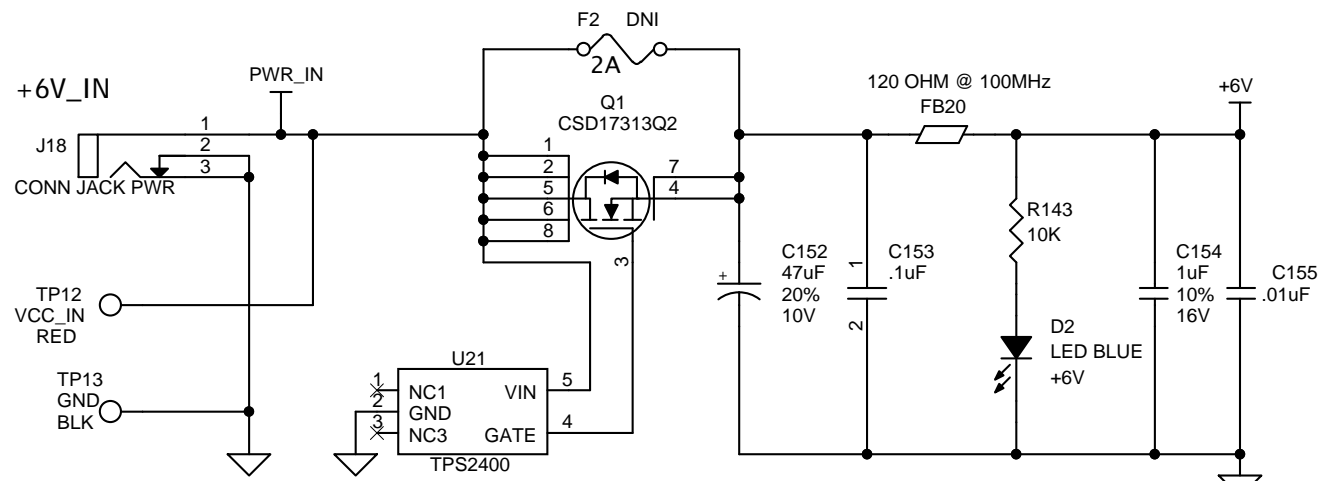
TEXAS INSTRUMENTS

Title: **TSW30H8X EVM**

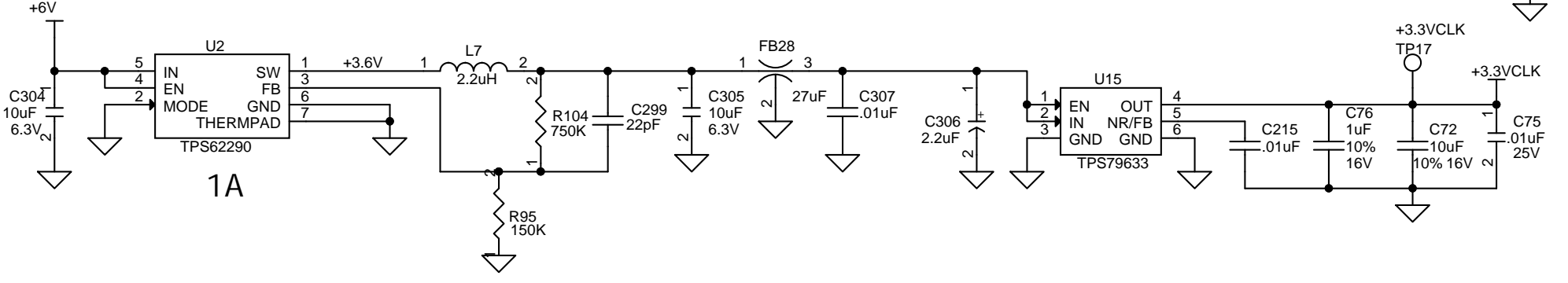
Size: **B** Document Number: **INTERFACE** Rev: **C**

Date: Wednesday, February 12, 2014 Sheet 7 of 9





For TSW30SH84EVM:
 Change R150 to 215K
 Change R221 and R257 to 232K
 DNI R128
 Install R127



TEXAS INSTRUMENTS

Title		
TSW30H8X EVM		
Size	Document Number	Rev
B	DAC	C
Date:	Wednesday, February 12, 2014	Sheet 9 of 9