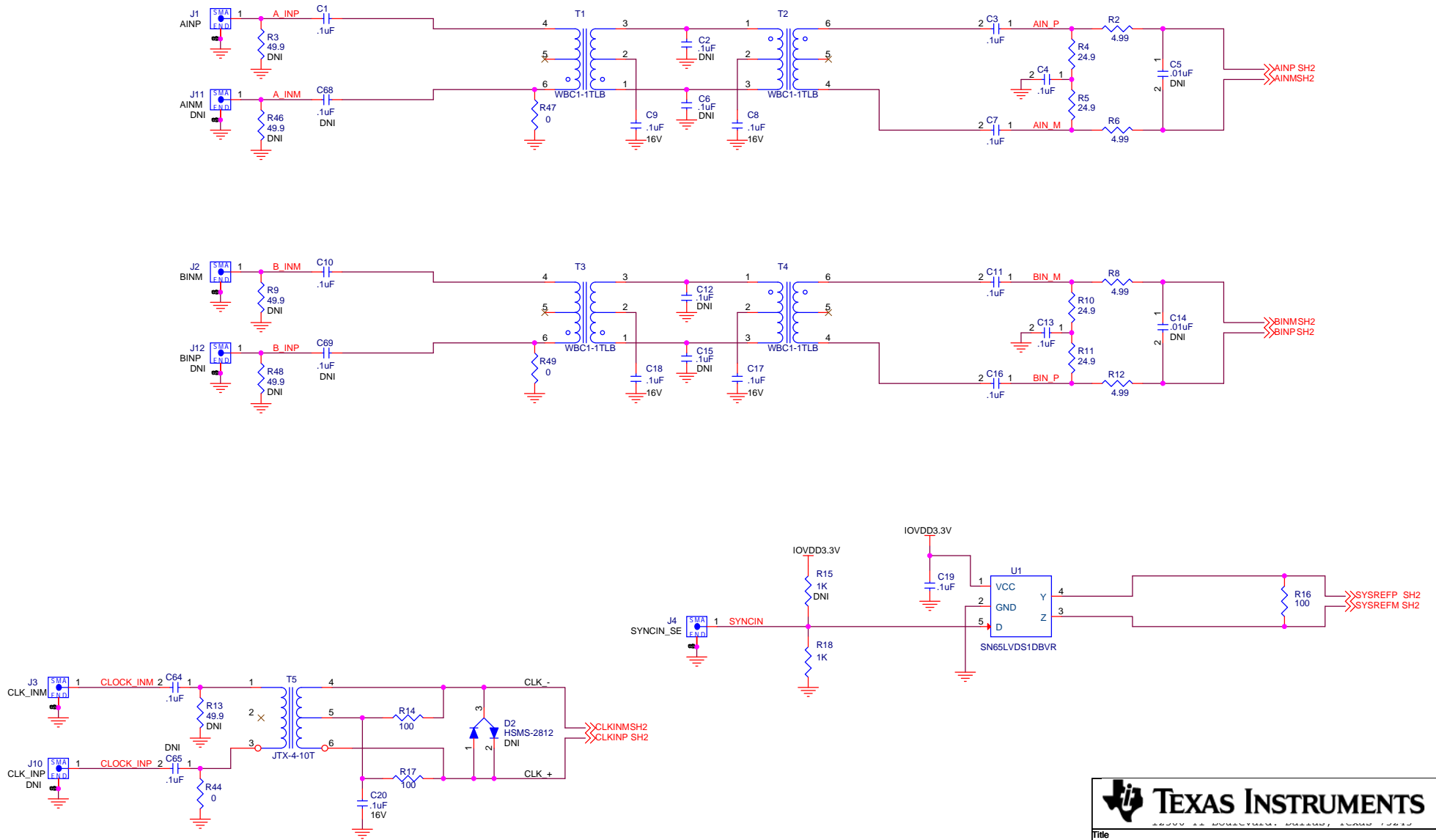


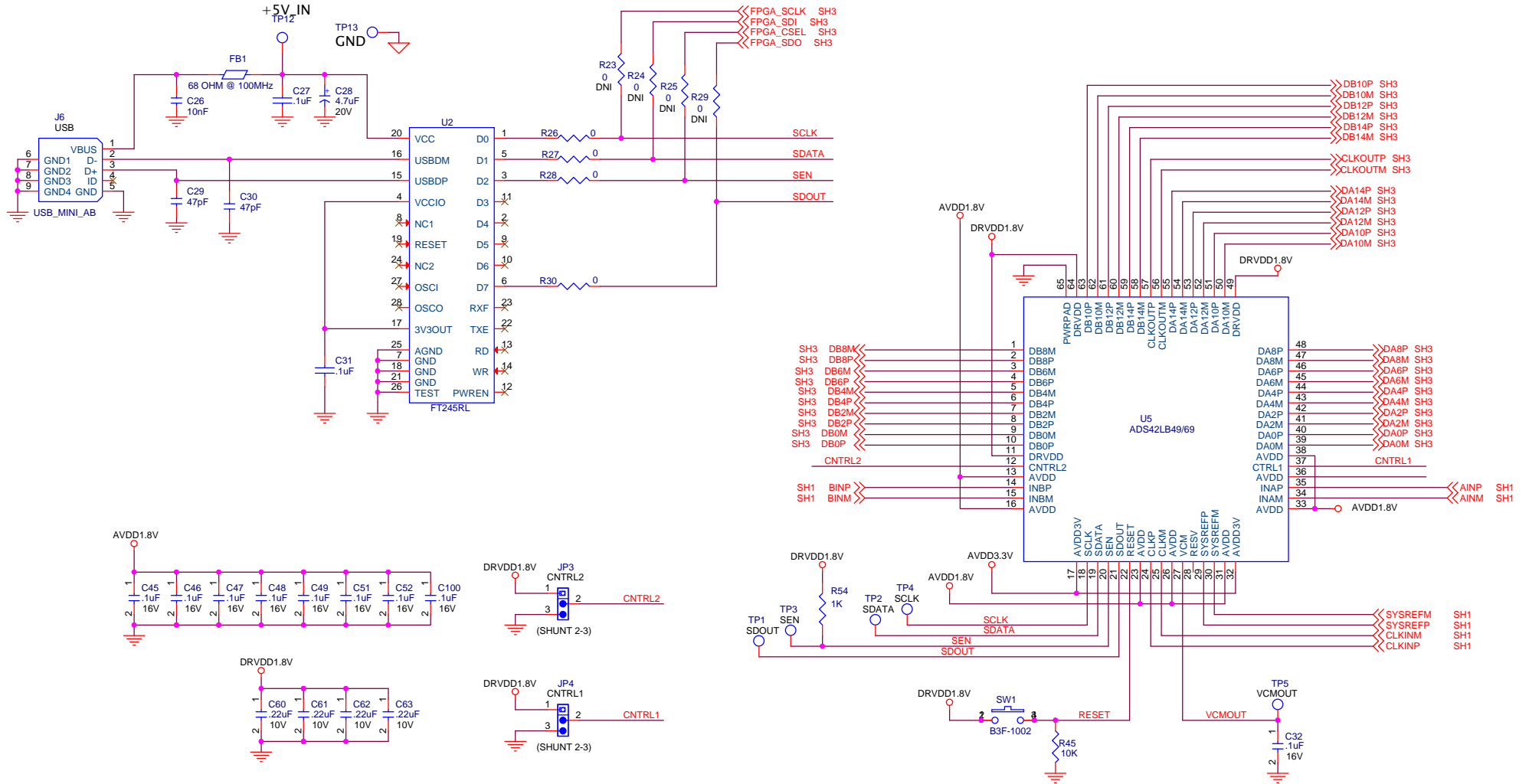
DNI = DO NOT INSTALL



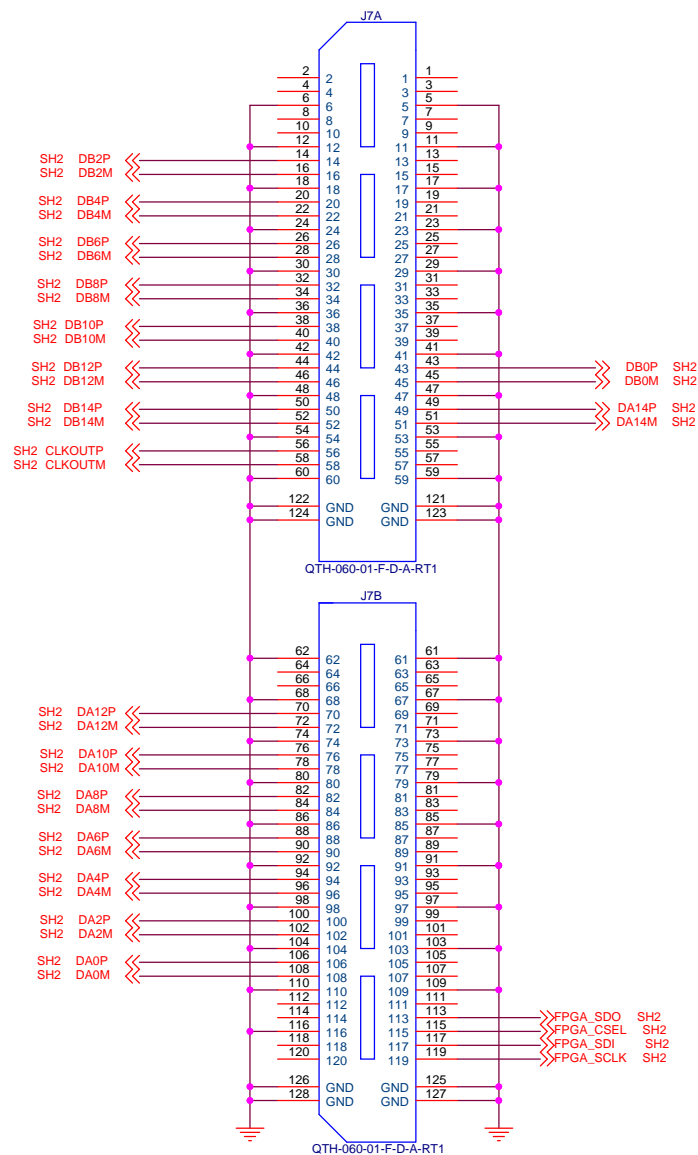
Title		ANALOG IN	
Size	Document Number	Rev	
B	ADS42LB49/69EVM	B	
Engineer:	J. Seton	Date:	Wednesday, October 10, 2012
		Sheet	1 of 4

Drawn:	L. Nguyen
Engineer:	J. Seton

DNI = DO NOT INSTALL



Title		
ADC		
Size	Document Number	Rev
B	ADS42LB49/69EVM	B
Date:	Wednesday, October 10, 2012	Sheet 2 of 4



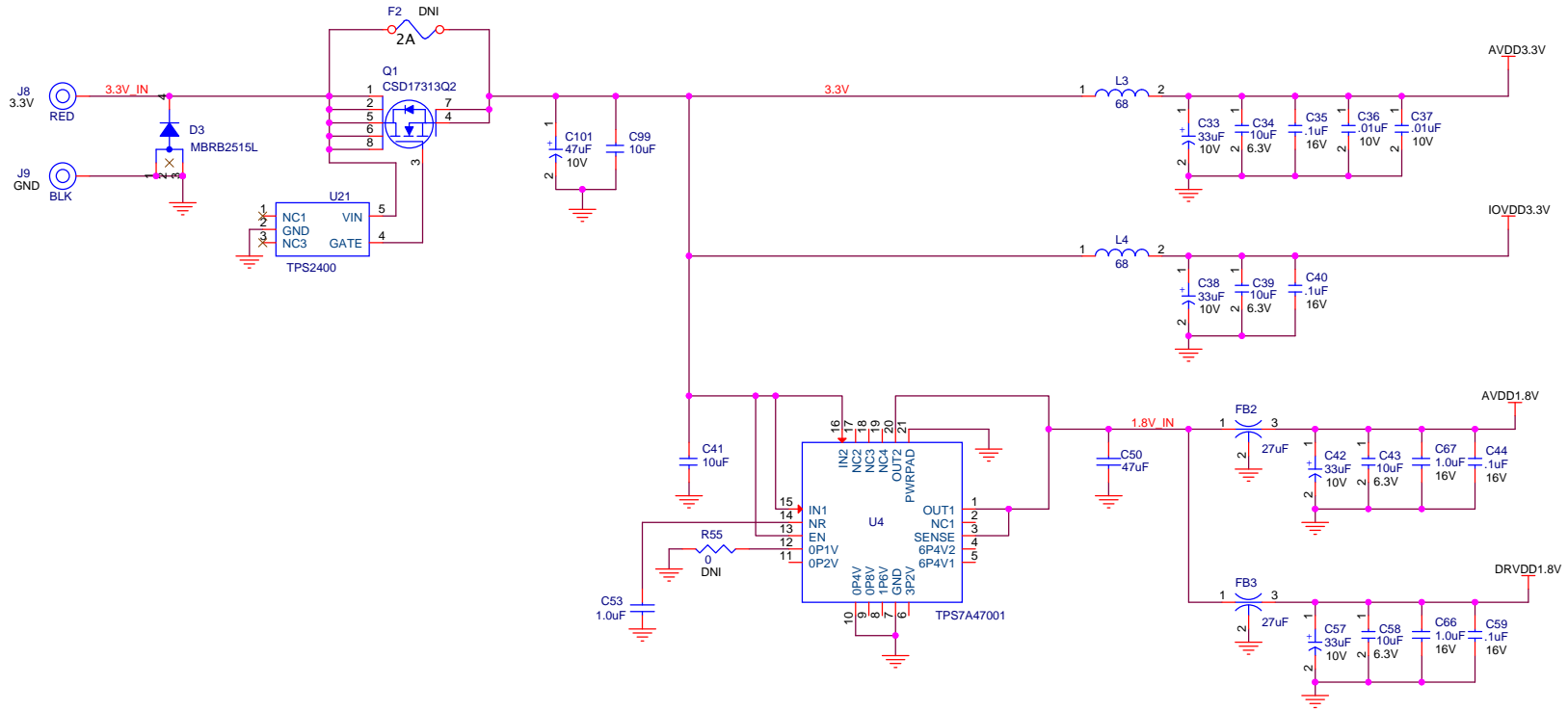
TEXAS INSTRUMENTS
12000 TI BOULEVARD, DALLAS, TEXAS 75243

Title: **OUTPUT**









Size: B	Document Number: ADS42LB49/69EVM	Rev: B
----------------	---	---------------

Date: **Wednesday, October 10, 2012** Sheet **3** of **4**

DNI = DO NOT INSTALL



MECHANICAL PARTS

-  SCREW PANHEAD 4-40 x 3/8
-  SCREW PANHEAD 4-40 x 3/8
-  SCREW PANHEAD 4-40 x 3/8
-  SCREW PANHEAD 4-40 x 3/8
-  STANDOFF ALUM HEX 4-40 x .500
-  STANDOFF ALUM HEX 4-40 x .500
-  STANDOFF ALUM HEX 4-40 x .500
-  STANDOFF ALUM HEX 4-40 x .500

TEXAS INSTRUMENTS
 12000 TI Boulevard, Dallas, Texas 75243

Title		
POWER SUPPLIES		
Size	Document Number	Rev
B	ADS42LB49/69EVM	B
Date:	Wednesday, October 10, 2012	Sheet 4 of 4