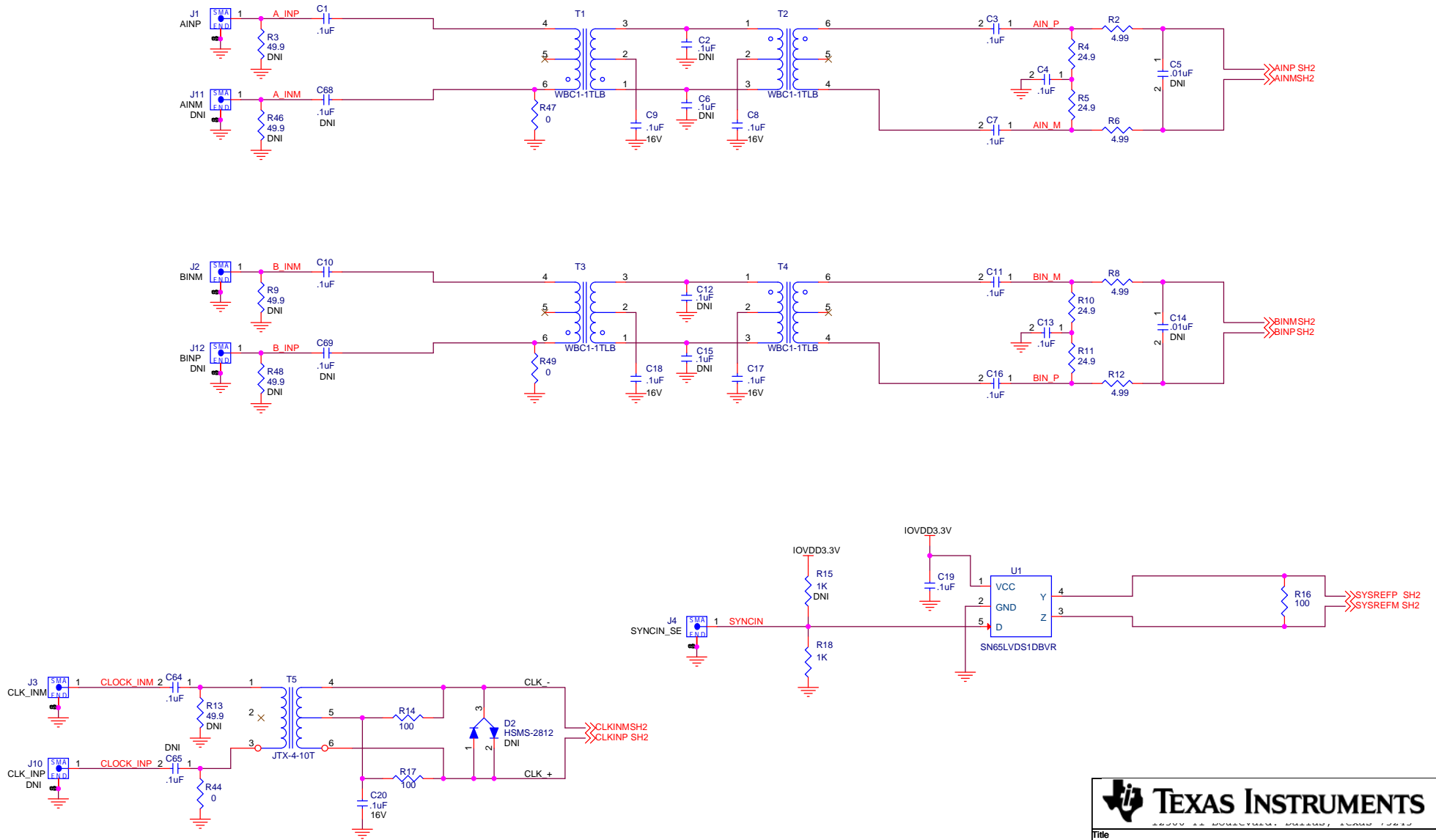
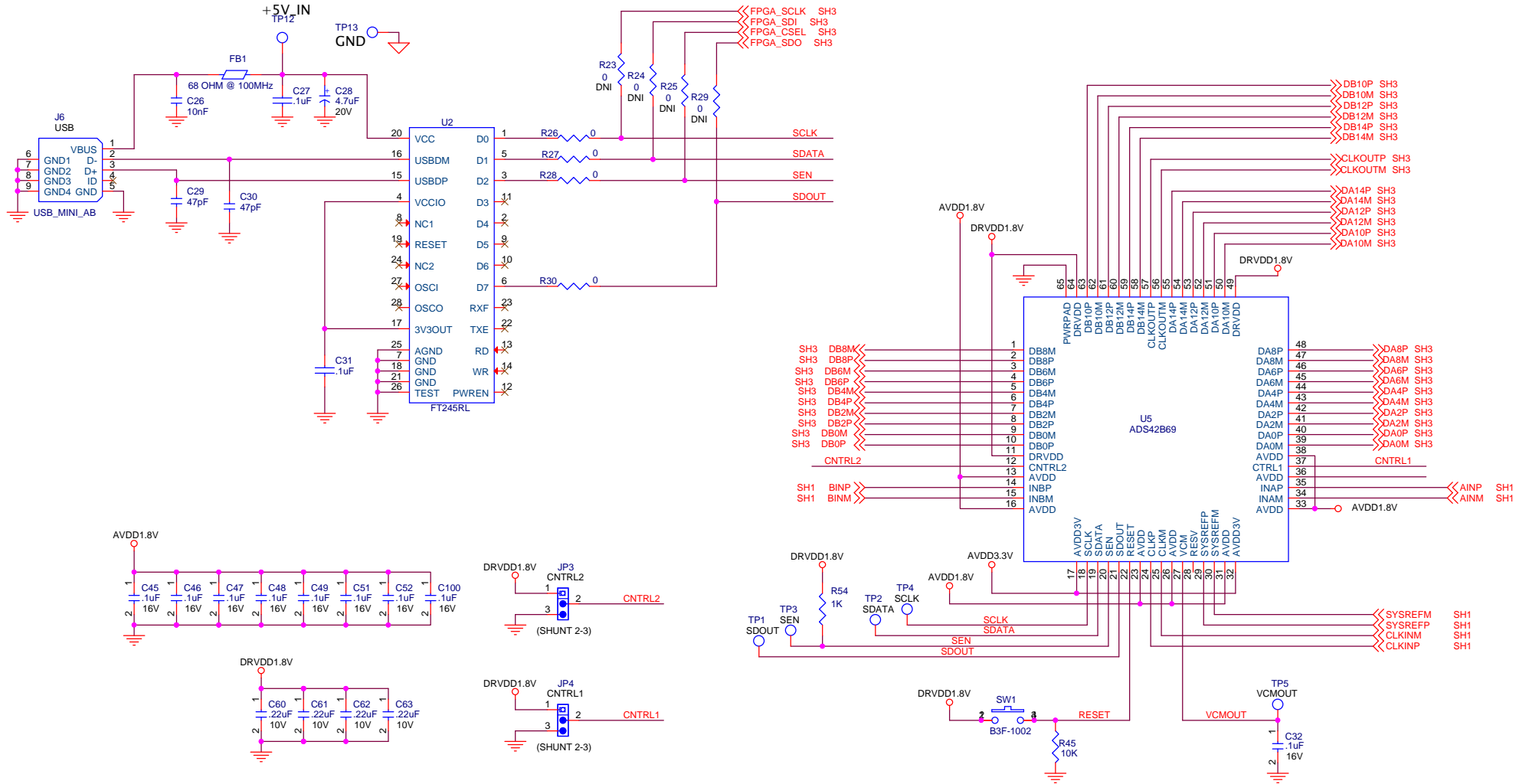


DNI = DO NOT INSTALL

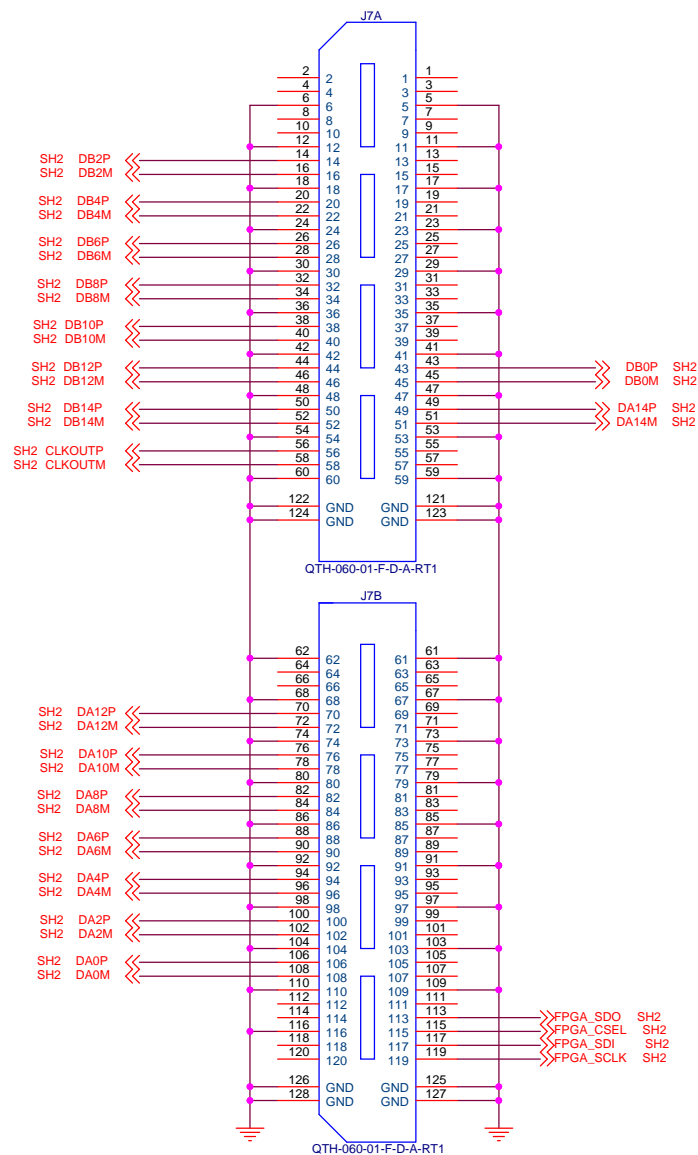


Title		ANALOG IN	
Size	Document Number	Rev	
B	ADS42B69EVM	A	
Drawn:	L. Nguyen	Date:	Thursday, August 16, 2012
Engineer:	J. Seton	Sheet	1 of 4

DNI = DO NOT INSTALL



Title		
ADC		
Size	Document Number	Rev
B	ADS42B69EVM	A
Date:	Friday, July 20, 2012	Sheet 2 of 4

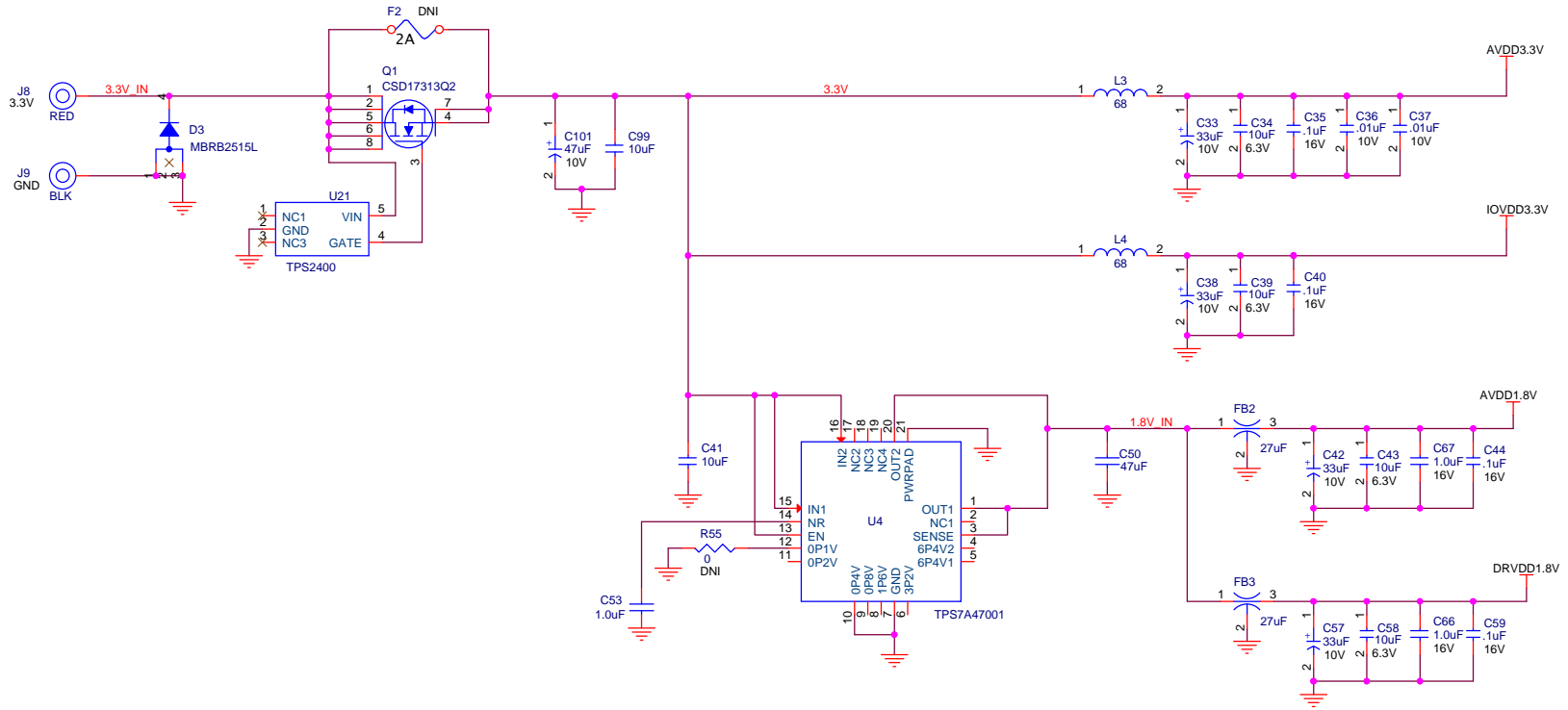


TEXAS INSTRUMENTS
 12000 TI BOULEVARD, DALLAS, TEXAS 75243









Title: **OUTPUT**


Size: B	Document Number: ADS42B69EVM	Rev: A
Date: Wednesday, August 01, 2012	Sheet: 3	of 4

DNI = DO NOT INSTALL



MECHANICAL PARTS

- 
 SCREW PANHEAD 4-40 x 3/8
- 
 SCREW PANHEAD 4-40 x 3/8
- 
 SCREW PANHEAD 4-40 x 3/8
- 
 SCREW PANHEAD 4-40 x 3/8
- 
 STANDOFF ALUM HEX 4-40 x .500
- 
 STANDOFF ALUM HEX 4-40 x .500
- 
 STANDOFF ALUM HEX 4-40 x .500
- 
 STANDOFF ALUM HEX 4-40 x .500


TEXAS INSTRUMENTS
12200 TI BOULEVARD, DALLAS, TEXAS 75243

Title		POWER SUPPLIES
Size	Document Number	Rev
B	ADS42B69EVM	A
Date:	Wednesday, August 01, 2012	Sheet 4 of 4