

1

2

3

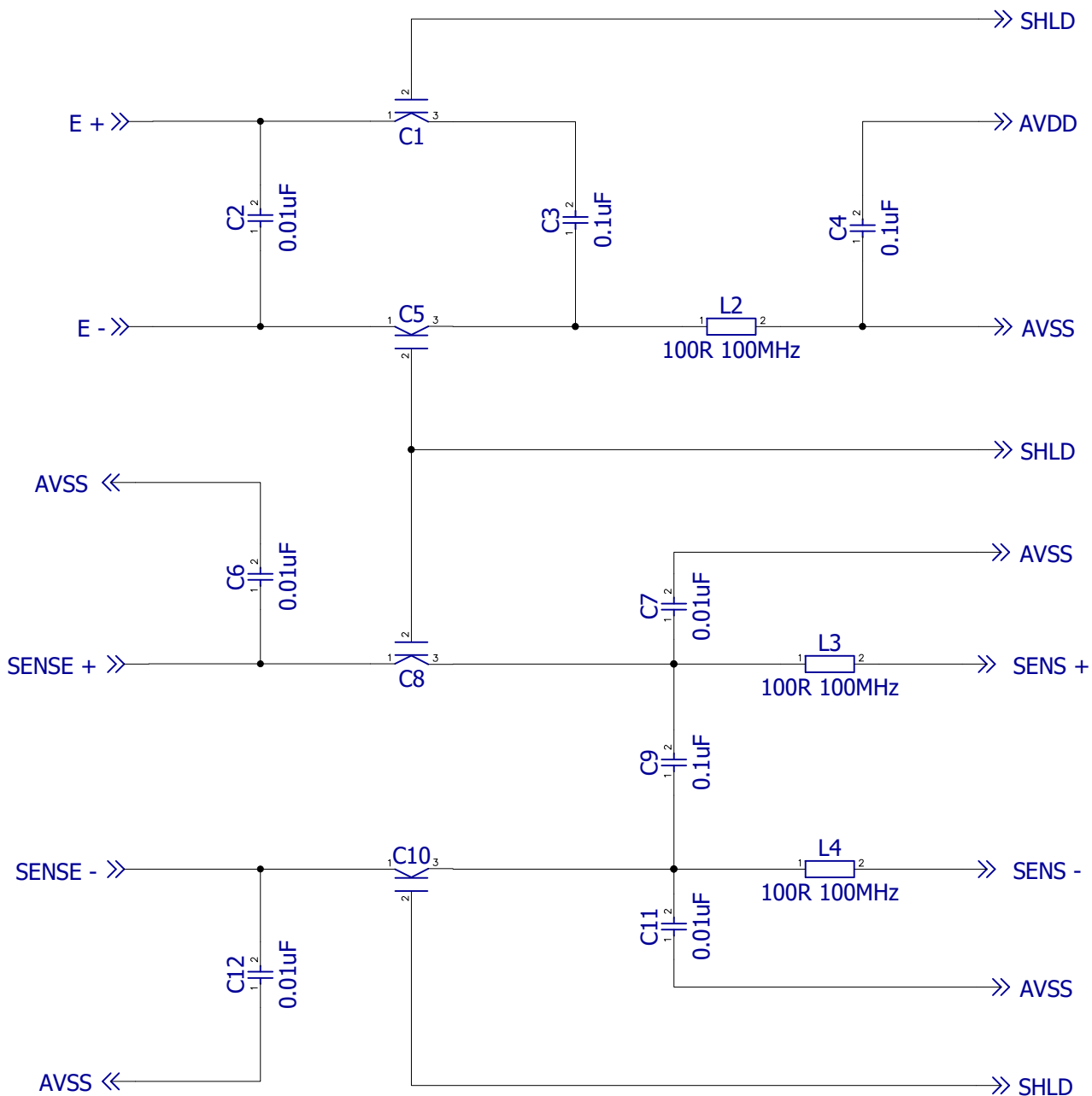
4

RevNo	Revision note	Date	Signature	Checked
-------	---------------	------	-----------	---------

- E+ <sup>1</sup> —————>> E +
- SNS+ <sup>1</sup> —————>> SENSE +
- E- <sup>1</sup> —————>> E -
- SNS- <sup>1</sup> —————>> SENSE -
- S+ <sup>1</sup> —————>> S +
- S- <sup>1</sup> —————>> S -
- SHLD <sup>1</sup> —————>> SHLD

Pads

Internal Nets



Itemref	Quantity	Title/Name, designation, material, dimension etc		Article No./Reference	
Designed by	Checked by	Approved by - date - 00/00/00	File name	Date 00/00/00	Scale 1:1
				Edition 0	Sheet 1/1

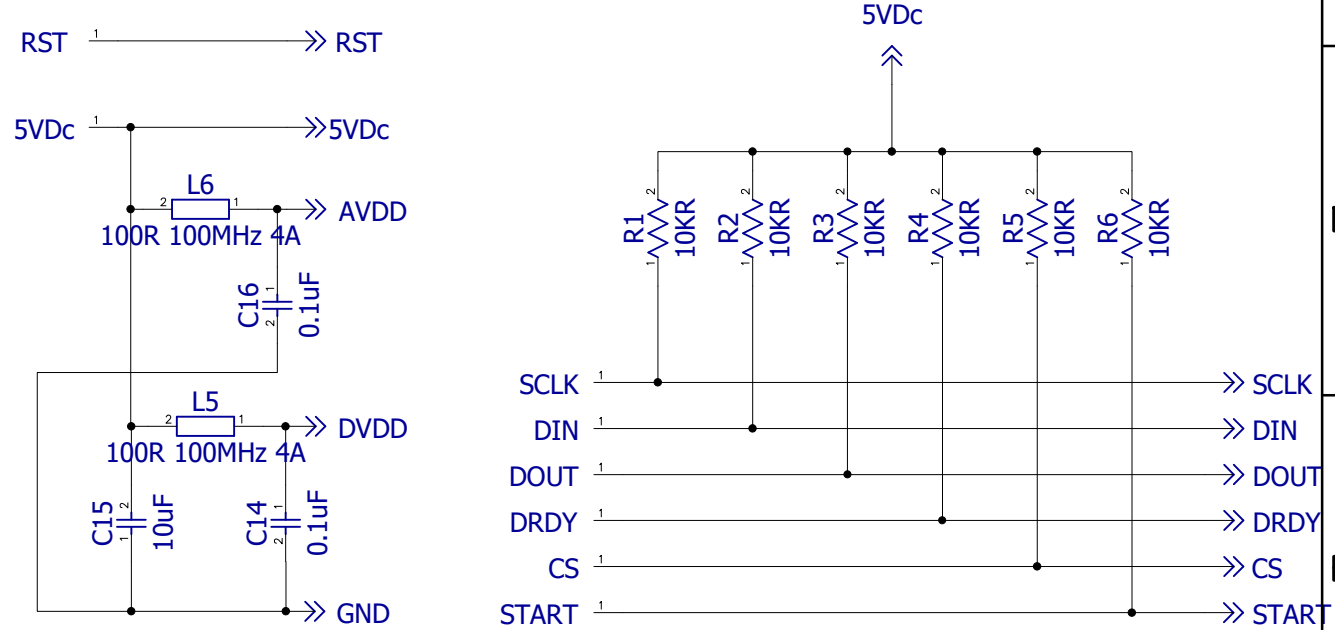
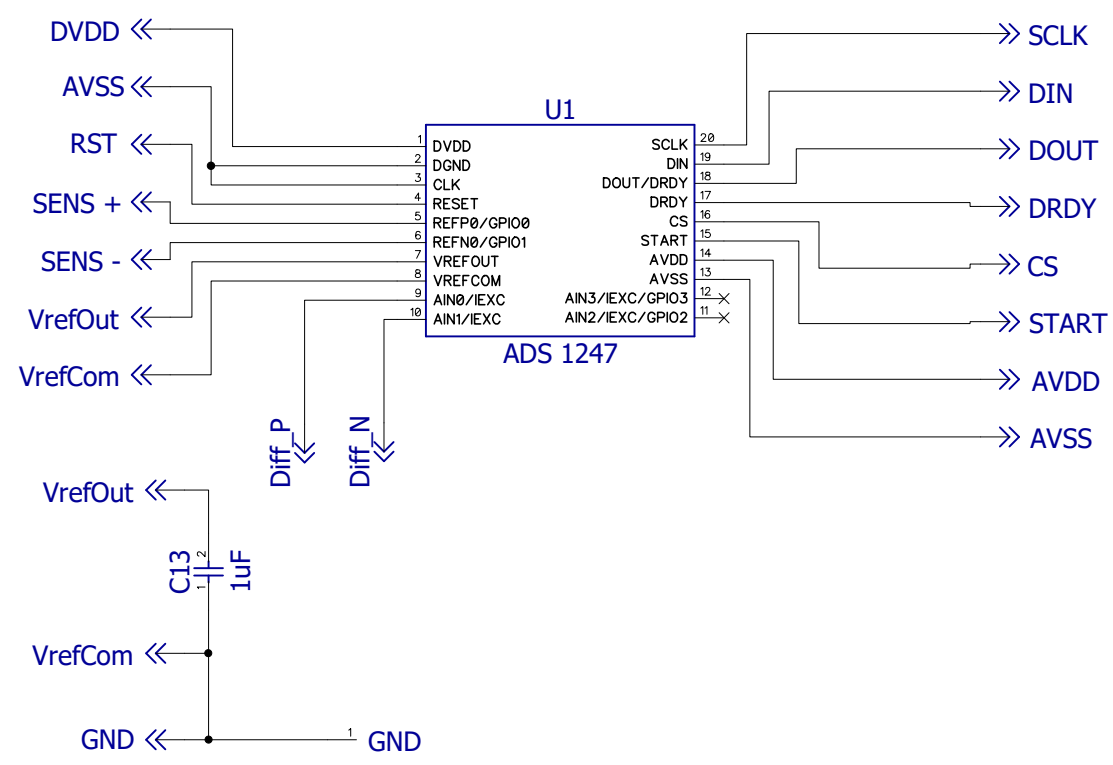
1

2

3

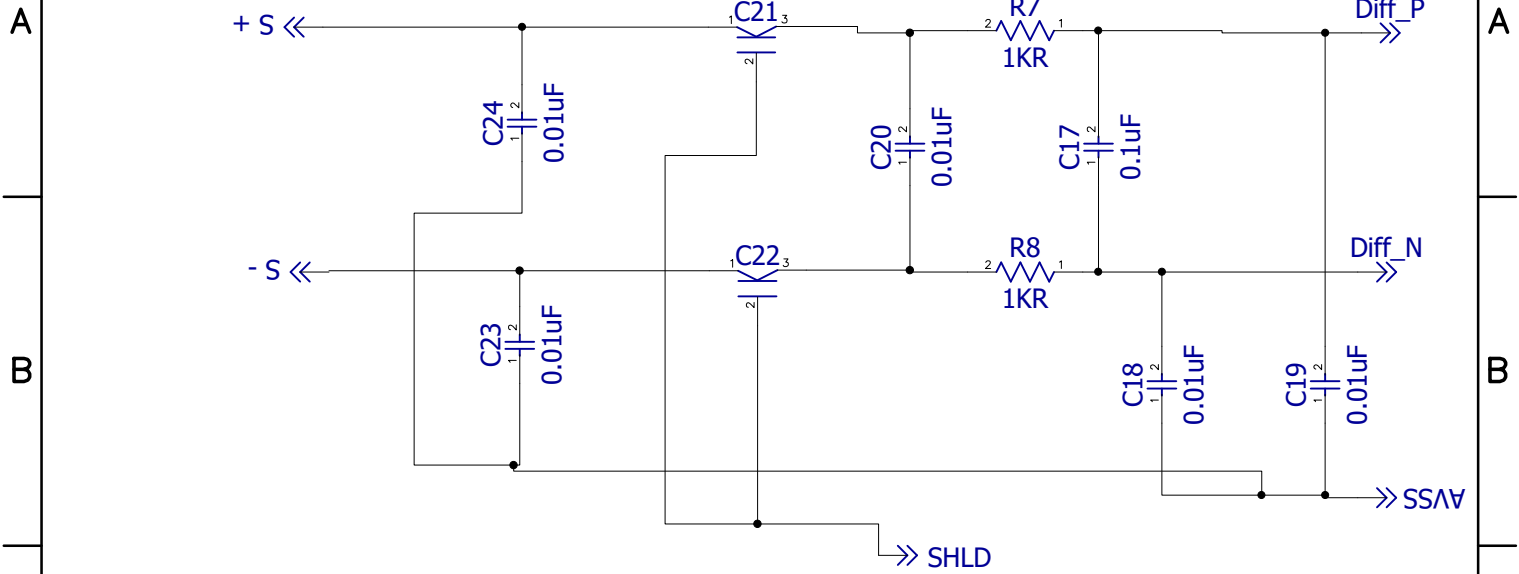
4

1	2	3	4
RevNo	Revision note	Date	Signature
			Checked



Itemref	Quantity	Title/Name, designation, material, dimension etc		Article No./Reference	
Designed by	Checked by	Approved by - date - 00/00/00	File name	Date 00/00/00	Scale 1:1
				Edition 0	Sheet 1/1

1	2	3	4
RevNo	Revision note	Date	Signature
			Checked



Itemref	Quantity	Title/Name, designation, material, dimension etc		Article No./Reference	
Designed by	Checked by	Approved by - date - 00/00/00	File name	Date 00/00/00	Scale 1:1
			Edition 0		Sheet 1/1