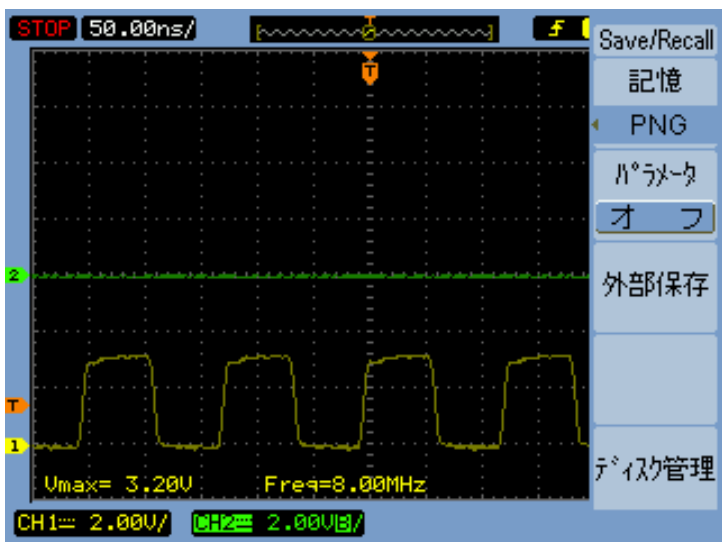
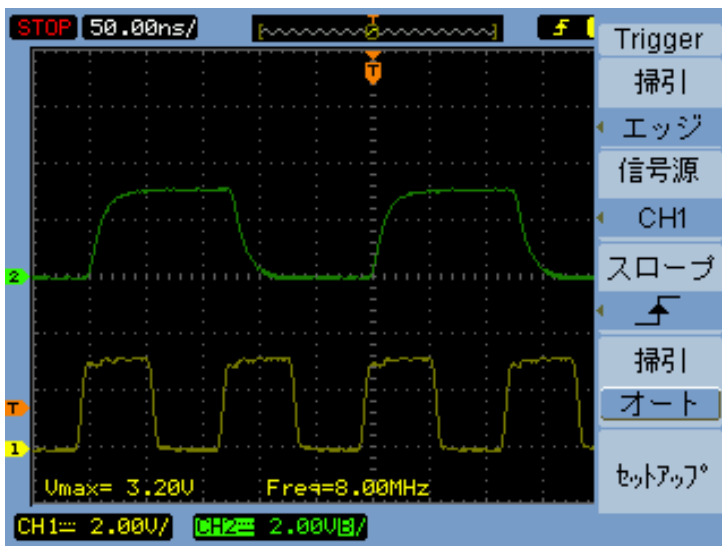


Xin input(yellow, 8MHz with 74HCU04) and Xout waveform(green). Oscilloscope : Single sweep.



8.3.2 Clocking and Timing Signal Generation

The crystal oscillator generates a master clock signal using an external 8-MHz crystal. A divide-by-2 block converts the 8-MHz clock to 4 MHz, which is used by the AFE to operate the timer modules, ADC, and diagnostics. The 4-MHz clock is buffered and output from the AFE in order to clock an external microcontroller. The clocking functionality is shown in Figure 59.

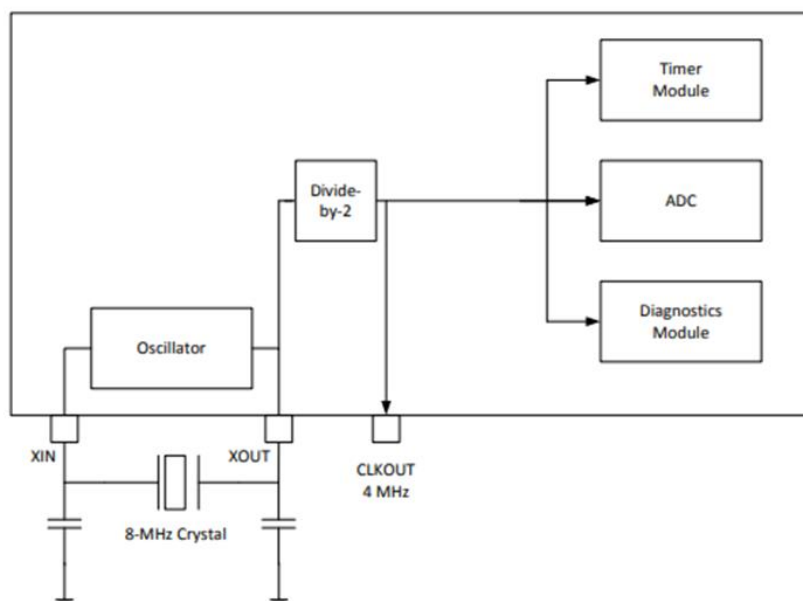


Figure 59. AFE Clocking