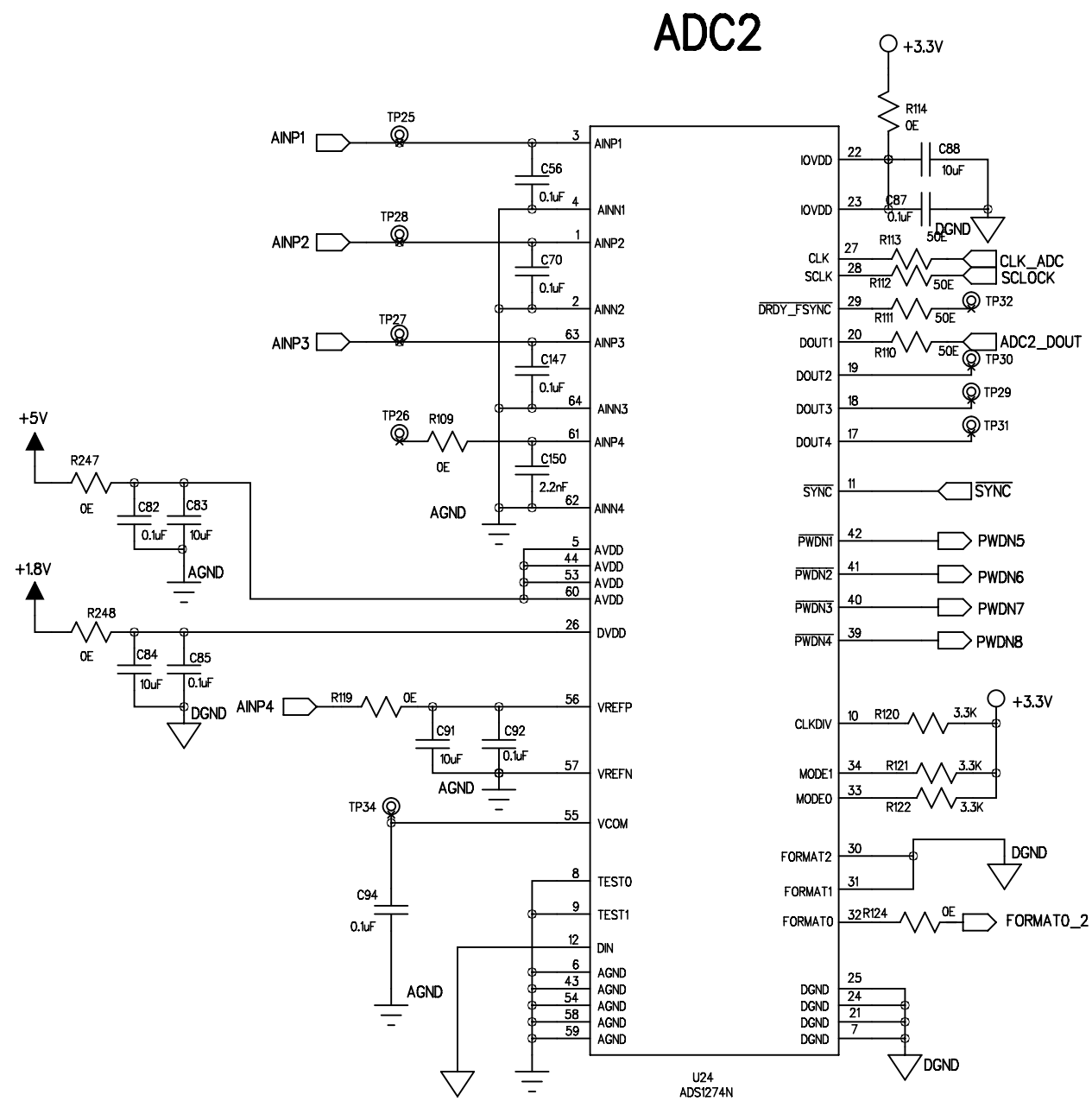
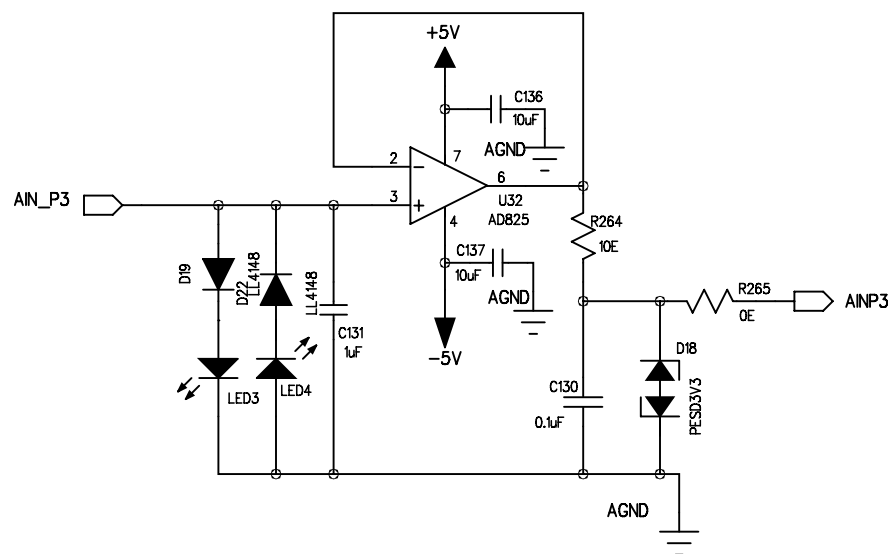
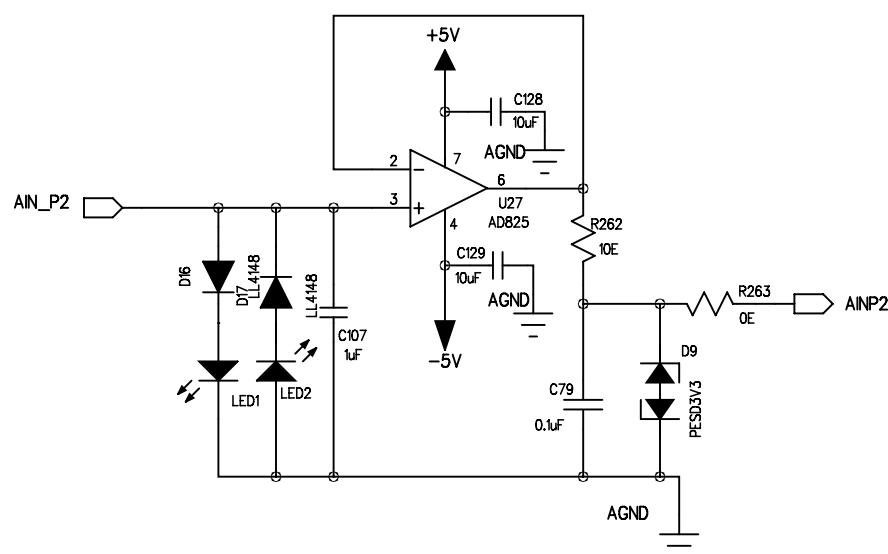
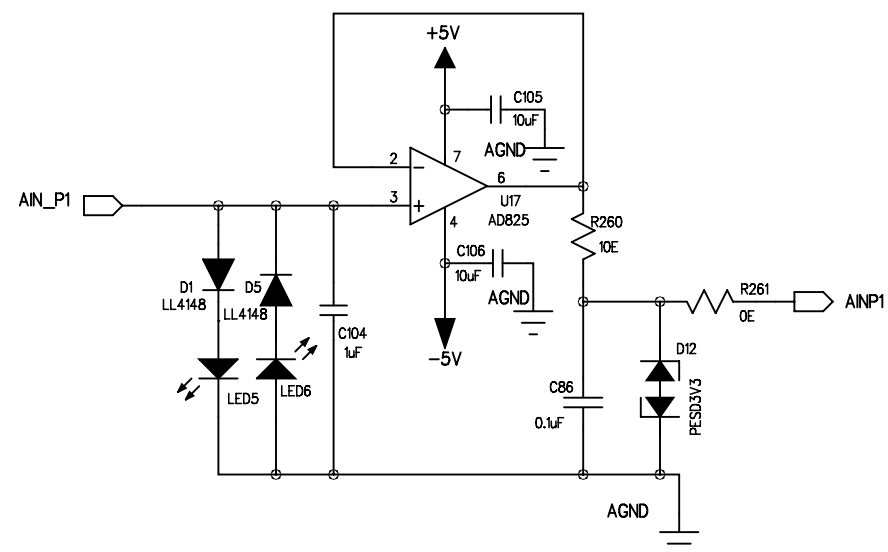


PROJ.	SR.NO.	
<b>DPCB19804</b>		
	PREPARED BY	APPROVED BY
THE MOTWANE MANUFACTURING CO. PVT. LTD. "GYAN BAUG", NASHIK ROAD - 422101		
TITLE:- CKT DIAGRAM FOR XWRM-103A/XWRM-25A/XWRM-50A MEASUREMENT BOARD		
DOCUMENT NUMBER - ZXCPCB198		REV.
		0 3
DATE :- 12.10.2019	SHEET - 3 / 5	



# ADC2

PROJ.	SR.NO.	
<b>DPCB19804</b>		
	PREPARED BY	APPROVED BY
THE MOTWANE MANUFACTURING CO. PVT. LTD. "GYAN BAUG", NASHIK ROAD - 422101		
TITLE:- CKT DIAGRAM FOR XWRM-103A/XWRM-25A/XWRM-50A MEASUREMENT BOARD		
DOCUMENT NUMBER - ZXCPCB198		REV.
		0 3
DATE :- 12.10.2019	SHEET - 4 / 5	