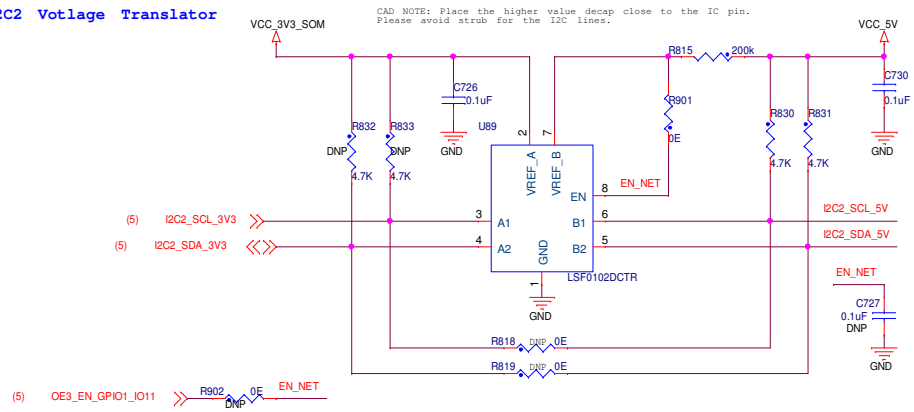
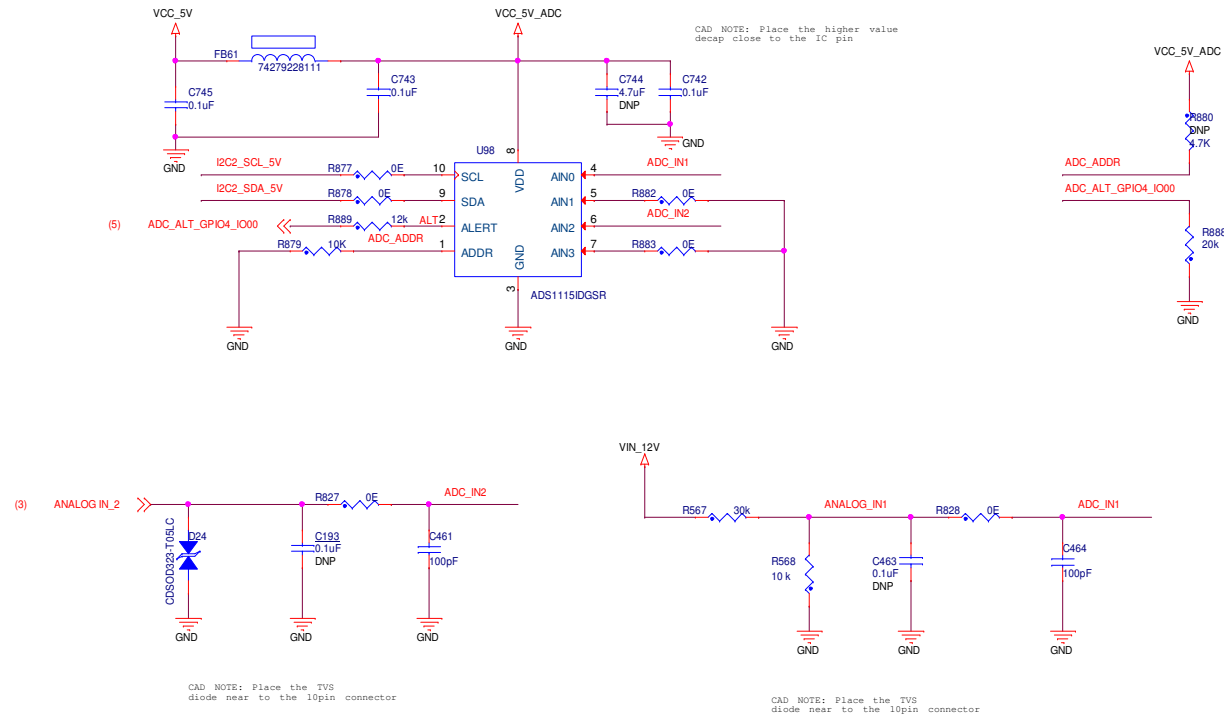


### I2C2 Voltage Translator



### Digital IN Circuit

### Analog Input Circuit



Wave Systems - Confidential		
<small>PROPRIETARY NOTICE: This document contains proprietary material for the sole use of the intended recipient(s). Do not read this document if you are not the intended recipient. Any review, use, distribution or disclosure by others is strictly prohibited. If you are not the intended recipient (or authorized to receive for the recipient), you are hereby notified that any disclosure, copying, distribution or use of any of the information contained within this document is STRICTLY PROHIBITED. Thank you "Wave Systems Tech. Pvt. Ltd."</small>		
Title ADC & DAC CIRCUITS		
Size A3	Document Number IW-EMEVP-CS-01-R1.0	Rev 1.0
Date: Thursday, March 05, 2020	Sheet 6	of 14