
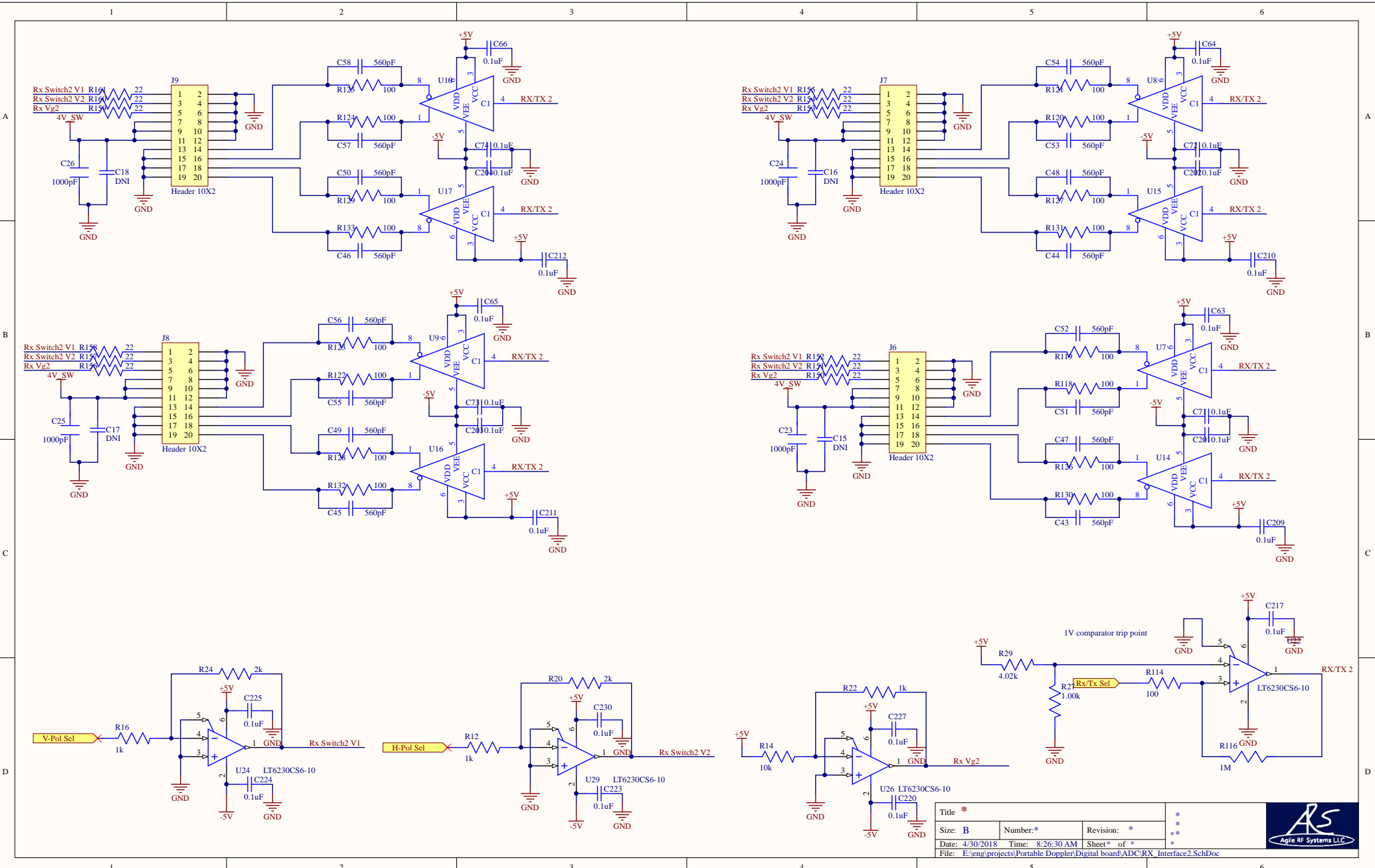

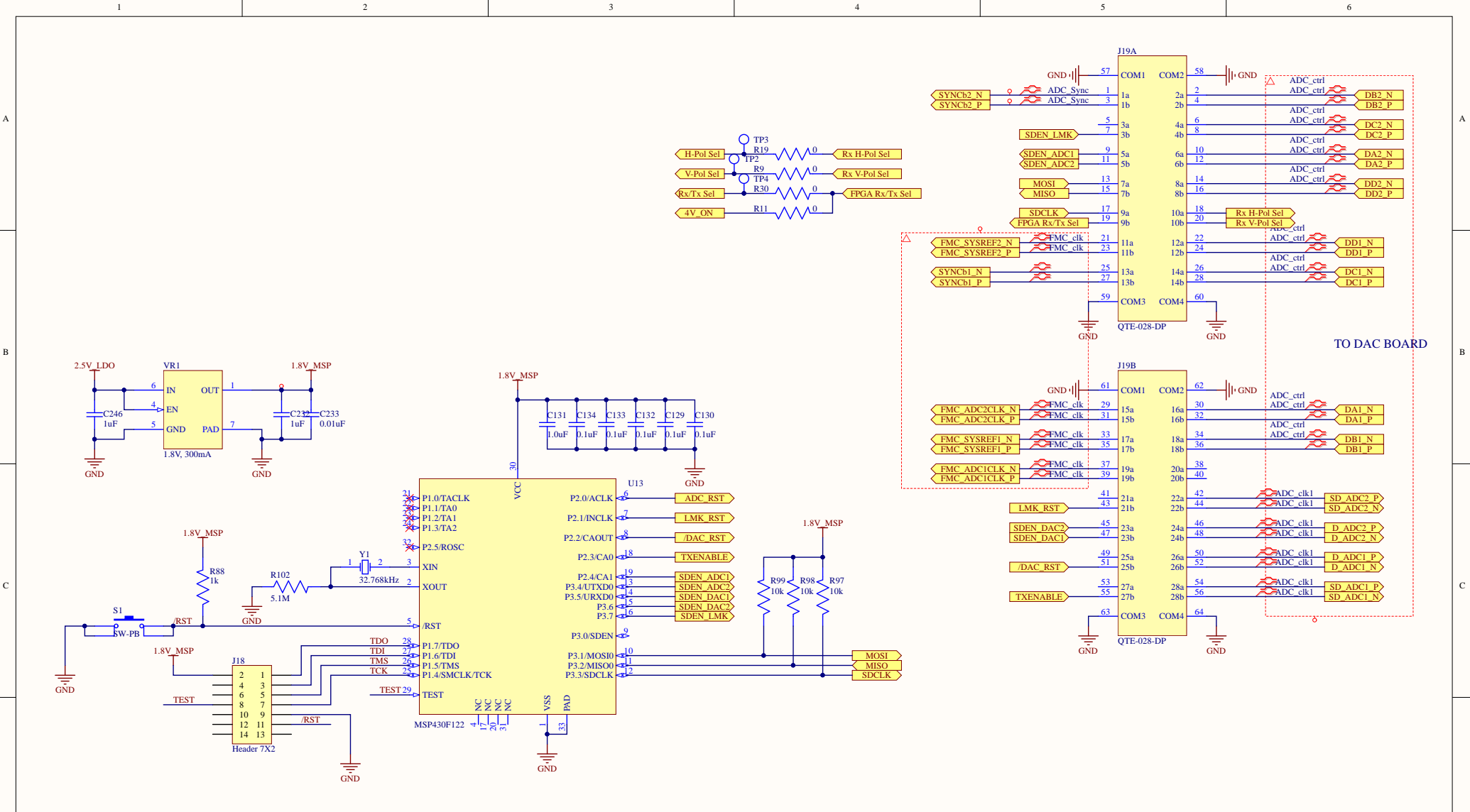


Title *			
Size: B	Number: *	Revision: *	
Date: 4/30/2018	Time: 8:26:29 AM	Sheet* of *	
File: E:\eng\projects\Portable Doppler\Digital board\ADC/RX Interface 1.SchDoc			



Title *			
Size: B	Number: *	Revision: *	
Date: 4/30/2018	Time: 8:26:30 AM	Sheet* of *	
File: E:\eng\projects\Portable Doppler\Digital board\ADC/RX Interface2.SchDoc			



Title *	Number:*	Revision: *	**
Size: B			**
Date: 4/30/2018	Time: 8:26:30 AM	Sheet* of *	**
File: E:\eng\projects\Portable Doppler\Digital board\ADCu\Controller.SchDoc			*



TO DAC BOARD

