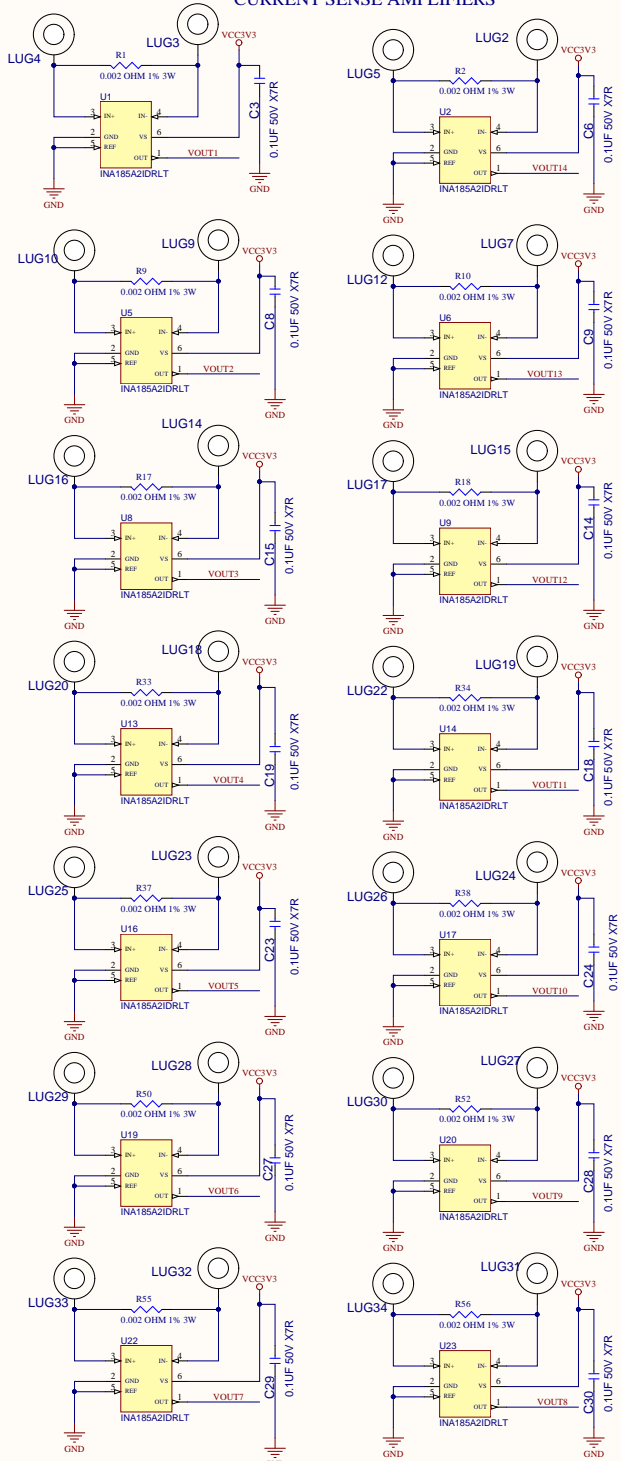
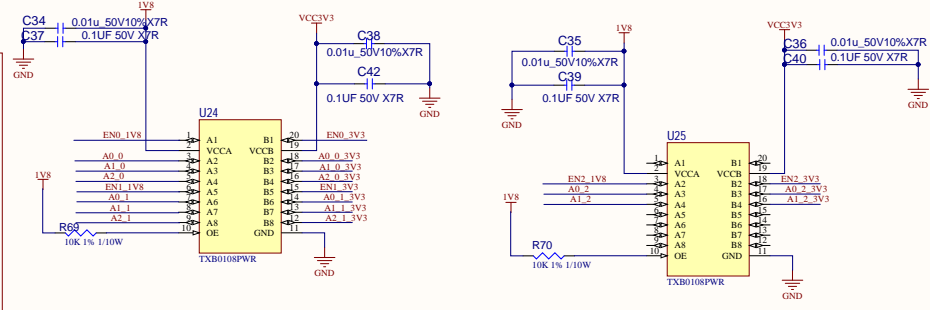
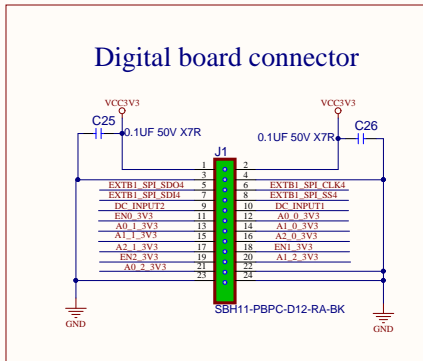
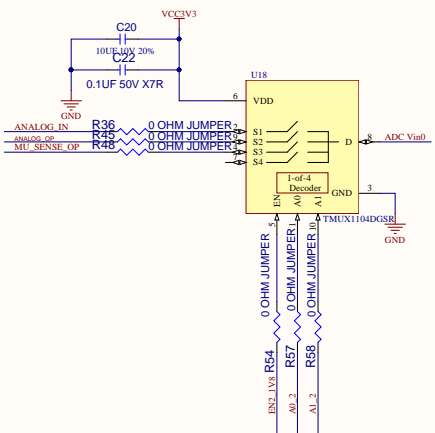
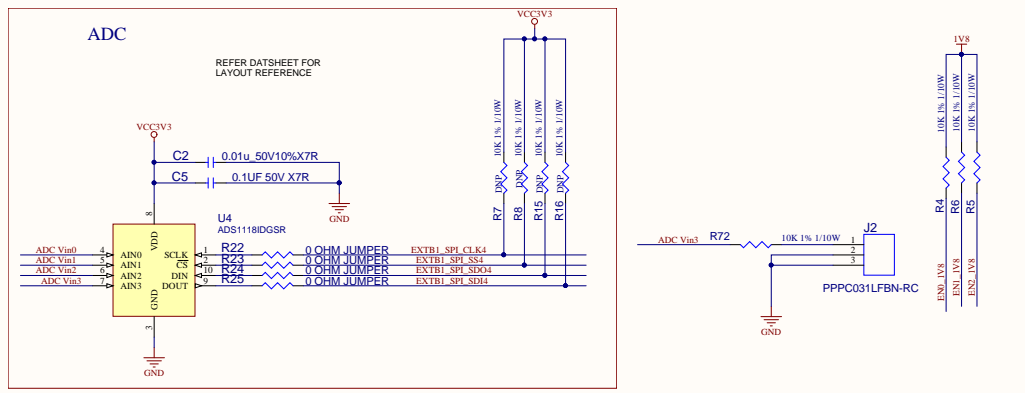


CURRENT SENSE AMPLIFIERS



ADC



This document is the proprietary information of ACEVIN SOLUTIONS. ACEVIN SOLUTIONS retains all patent, copyright and trademark rights related to the specific design. This information shall not be disclosed to any person or entity without ACEVIN SOLUTIONS prior written consent.		TITLE: Combiner Card SHEET: ADCl.SchDoc SIZE: B NUMBER: 105-142000-04 REVISION: 2.2	
DRAWN BY: AP		DATE: 1/11/2022	
		SHEET 5 OF 8	

NOTES: