

ADC10D1x00 Reference Board

REFERENCE DESIGN

SPECIAL NOTES

These schematics reflect the current state of product development. This design had NOT yet been fully tested at the time these schematics were generated.

Since this product is in development, the user of this document is strongly advised to check for the latest revision.

National Semiconductor reserves the right to make changes to this product.

ALL parts labeled "NA" are NOT ASSEMBLED.


Print Instructions:

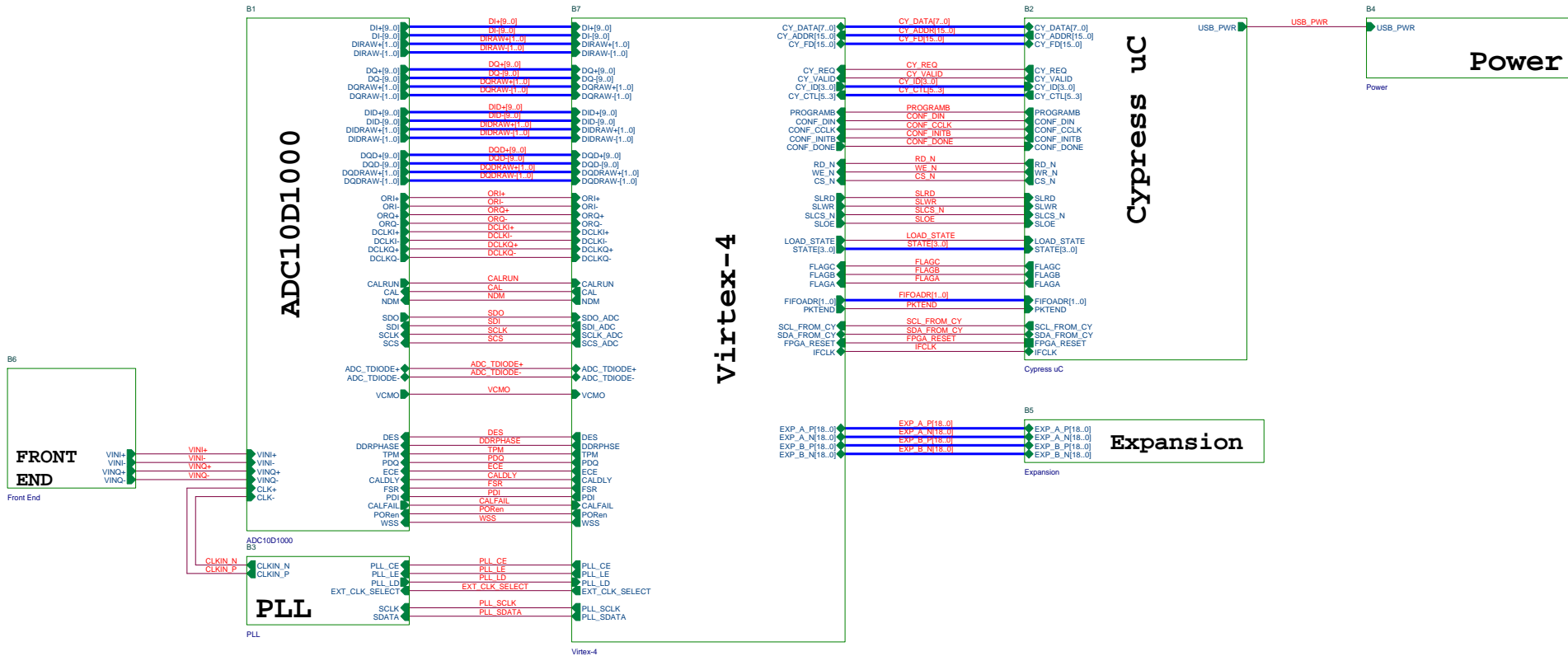
- To create a readable printout, we recommend to use A3 or 11x17" paper size.
- When printing from this PDF file, make sure to check the "Shrink to fit" box.

CONFIDENTIAL

THIS DOCUMENT CONTAINS INFORMATION PROPRIETARY TO NATIONAL SEMICONDUCTOR CORPORATION. USE OR DISCLOSURE WITHOUT WRITTEN PERMISSION IS EXPRESSLY FORBIDDEN. COPYRIGHT 2007.

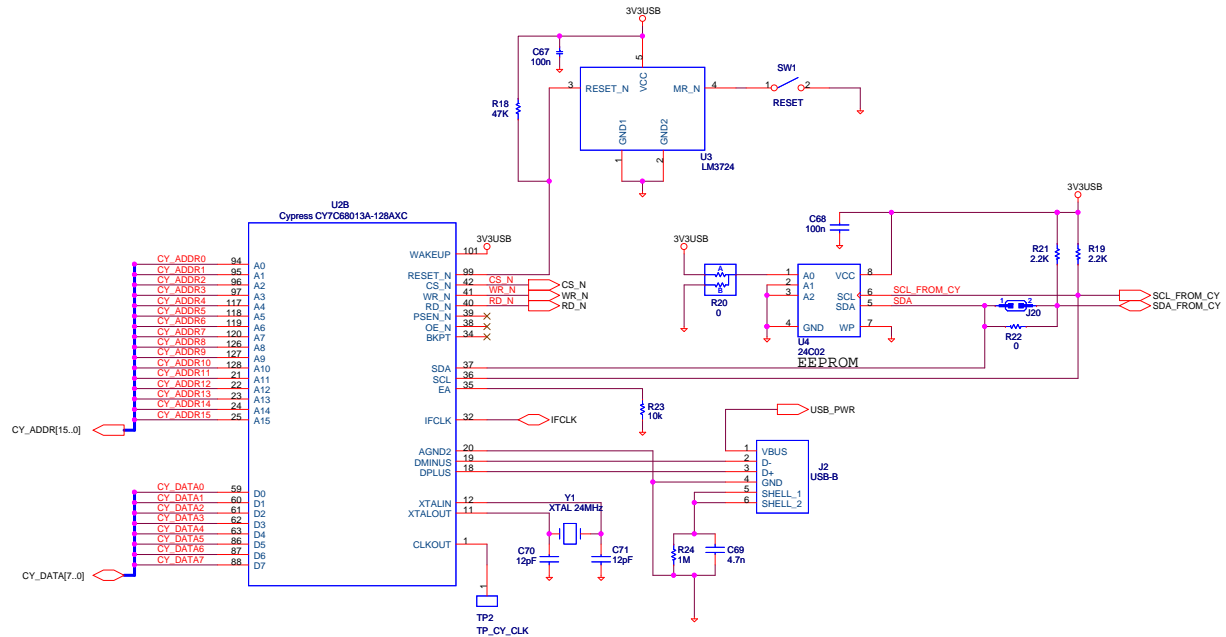
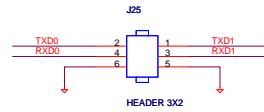
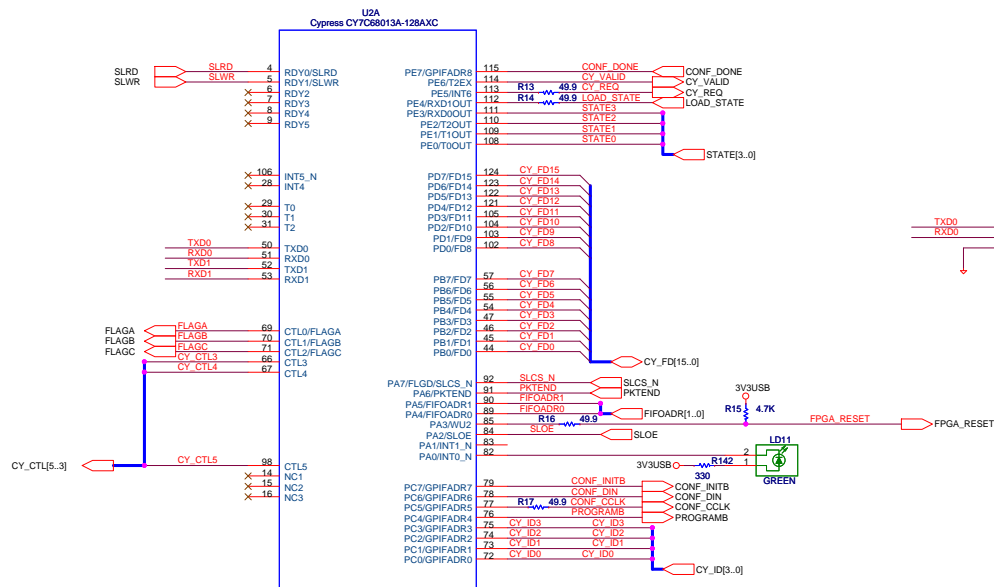
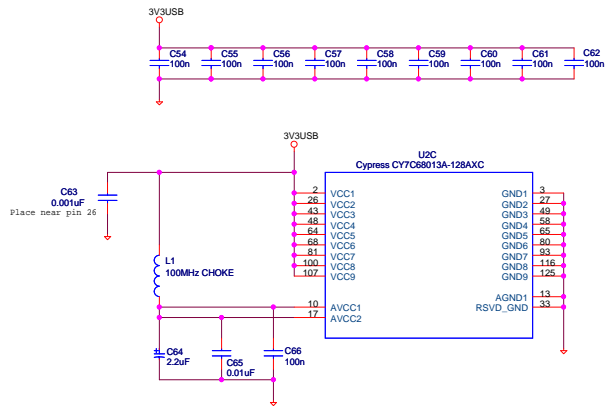
PRELIMINARY

 NATIONAL SEMICONDUCTOR CORPORATION Digital Conversion Division Salem Design Center One Stiles Road Salem, NH 03079 Tel: 1-603 896 8800 Fax: 1-603 896 7065 <i>The Slight & Sound of Information</i>		NATIONAL SEMICONDUCTOR CORPORATION Digital Conversion Division Salem Design Center One Stiles Road Salem, NH 03079 Tel: 1-603 896 8800 Fax: 1-603 896 7065	
PROJECT NAME: ADC10D1x00RB	DESIGNED:	DATE:	PAGE TITLE
DRAWN:	CHECKED:	DATE:	Title Page
THIS DOCUMENT CONTAINS INFORMATION PROPRIETARY TO NATIONAL SEMICONDUCTOR CORPORATION. USE OR DISCLOSURE WITHOUT WRITTEN PERMISSION IS EXPRESSLY FORBIDDEN. COPYRIGHT 2007.			SCHEMATIC REV: 0.02
LAST MODIFIED: Wednesday, October 20, 2010 DOC # : _____			Sheet 1 OF 12



NATIONAL SEMICONDUCTOR CORPORATION
Digital Conversion Division
Salem Design Center
One Stiles Road
Salem, NH 03075
Tel: 1-603 896 8800 Fax: 1-603 896 7065

PROJECT NAME: ADC10D1x00RB		PAGE TITLE: Top Block
DESIGNED:	DATE:	
DRAWN:	DATE:	
CHECKED:	DATE:	
THIS DOCUMENT CONTAINS INFORMATION PROPRIETARY TO NATIONAL SEMICONDUCTOR CORPORATION. USE OR DISCLOSURE WITHOUT WRITTEN PERMISSION IS EXPRESSLY FORBIDDEN. COPYRIGHT 2007.		SCHEMATIC REV: 0.92
LAST MODIFIED: Wednesday, October 20, 2010 DOC #:		Sheet 2 OF 12



National Semiconductor
 Digital Conversion Division
 Salem Design Center
 One Silicon Road
 Salem, NH 03075
 Tel: 1-603 896 8800 Fax: 1-603 896 7065

NATIONAL SEMICONDUCTOR CORPORATION

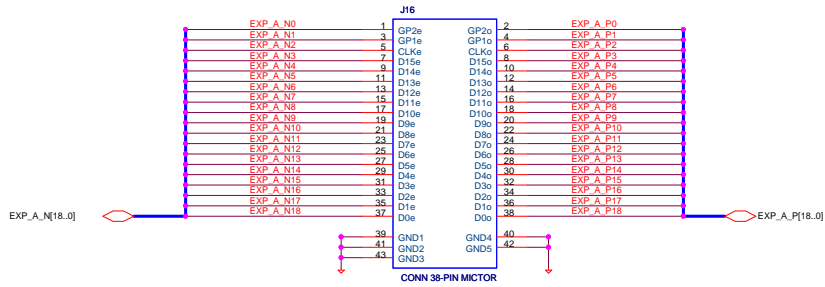
PROJECT NAME: **ADC10D1x00RB** PAGE TITLE: Cypress uC

DESIGNED: DATE: DRAWN: DATE: CHECKED: DATE:

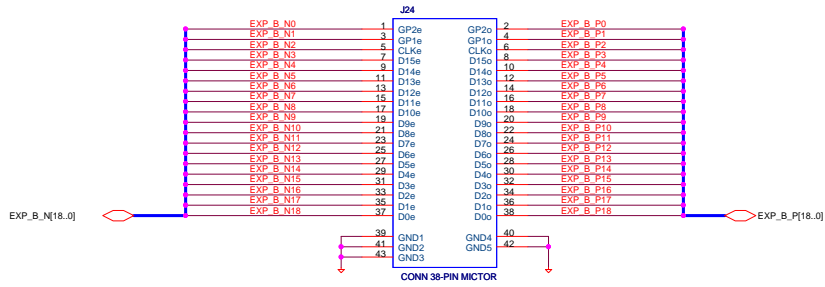
THIS DOCUMENT CONTAINS INFORMATION PROPRIETARY TO NATIONAL SEMICONDUCTOR CORPORATION. USE OR DISCLOSURE WITHOUT WRITTEN PERMISSION IS EXPRESSLY FORBIDDEN. COPYRIGHT 2007.


SCHEMATIC REV: 0.02
 Sheet 4 OF 12
 LAST MODIFIED: Wednesday, October 20, 2010 DOC #:

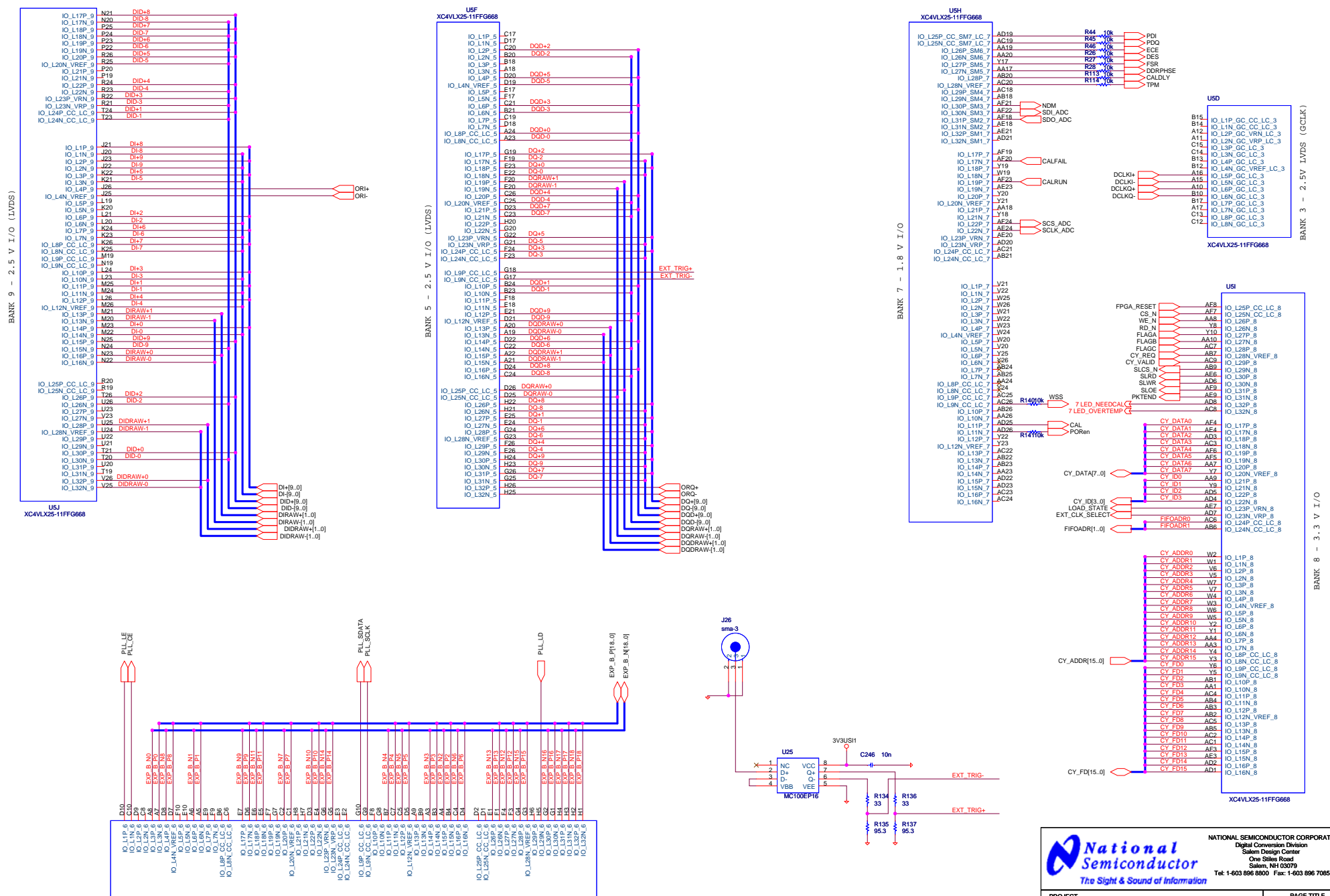
LOGIC ANALYZER HEADER



LOGIC ANALYZER HEADER

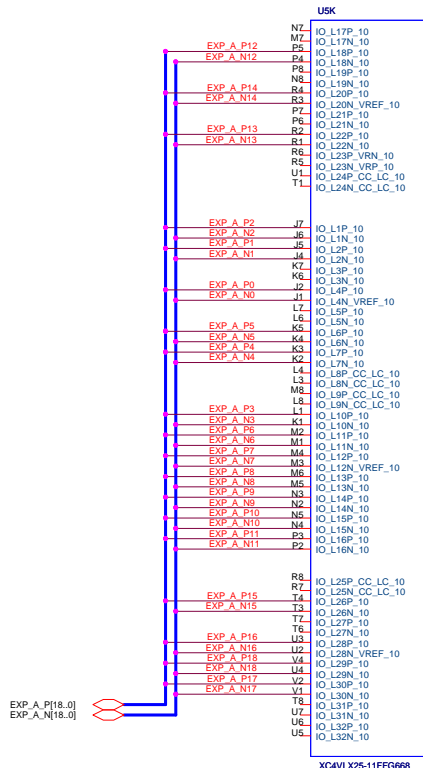


		NATIONAL SEMICONDUCTOR CORPORATION Digital Conversion Division Salem Design Center One Stiles Road Salem, NH 03075 Tel: 1-603 896 8800 Fax: 1-603 896 7065	
		PROJECT NAME: ADC10D1x00RB	PAGE TITLE Expansion Ports
DESIGNED:	DATE:		
DRAWN:	DATE:		
CHECKED:	DATE:		
THIS DOCUMENT CONTAINS INFORMATION PROPRIETARY TO NATIONAL SEMICONDUCTOR CORPORATION. USE OR DISCLOSURE WITHOUT WRITTEN PERMISSION IS EXPRESSLY FORBIDDEN. COPYRIGHT 2007.		SCHEMATIC REV: 0.92	
LAST MODIFIED: Wednesday, October 20, 2010 DOC #: _____		Sheet 5 OF 12	

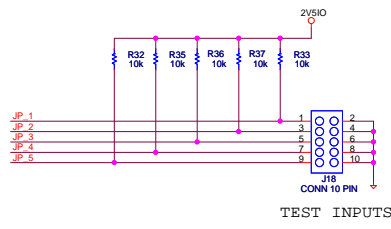


NATIONAL SEMICONDUCTOR CORPORATION
 Digital Conversion Division
 Salem Design Center
 One Silvers Road
 Salem, NJ 08075
 Tel: 1-603 896 8800 Fax: 1-603 896 7065

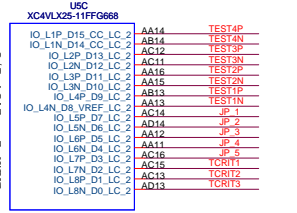
PROJECT NAME: ADC10D1x00RB	PAGE TITLE: FGPA1
DESIGNED: _____ DATE: _____	CHECKED: _____ DATE: _____
THIS DOCUMENT CONTAINS INFORMATION PROPRIETARY TO NATIONAL SEMICONDUCTOR CORPORATION. USE OR DISCLOSURE WITHOUT WRITTEN PERMISSION IS EXPRESSLY FORBIDDEN. COPYRIGHT 2007.	
LAST MODIFIED: Wednesday, October 20, 2010 DOC # : _____	Schematic Rev: 0.02 Sheet 6 OF 12



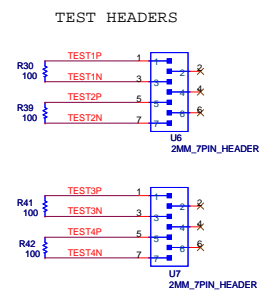
BANK 1 - 2.5V I/O



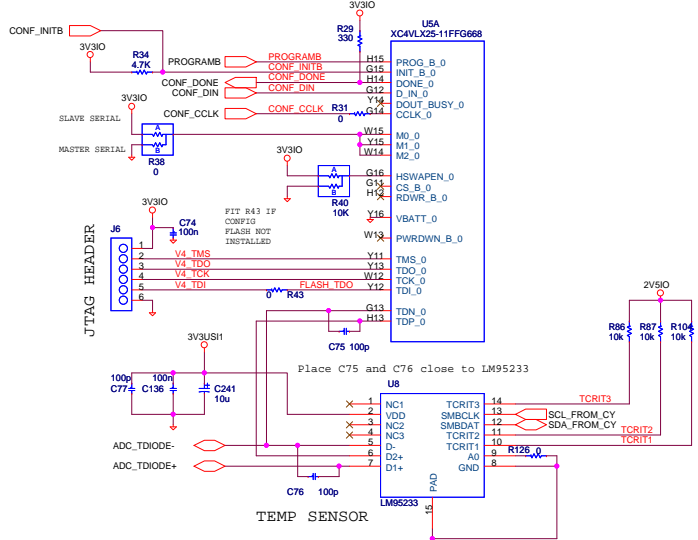
TEST INPUTS



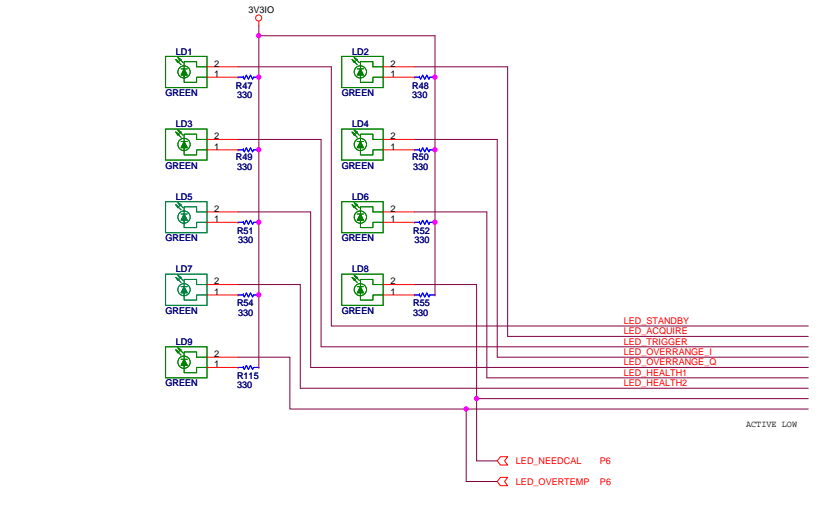
BANK 2 - 2.5V I/O



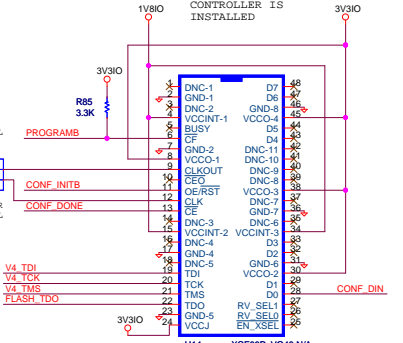
TEST HEADERS



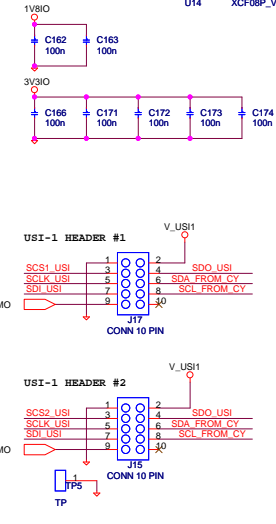
BANK 3 - 3.3V I/O



BANK 4 - 3.3V I/O

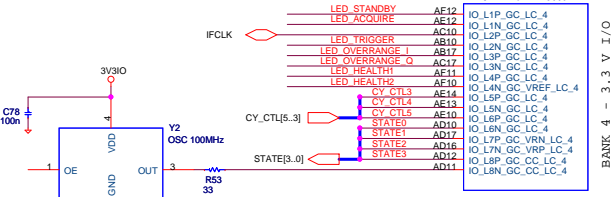


BANK 5 - 3.3V I/O



USI-1 HEADER #1

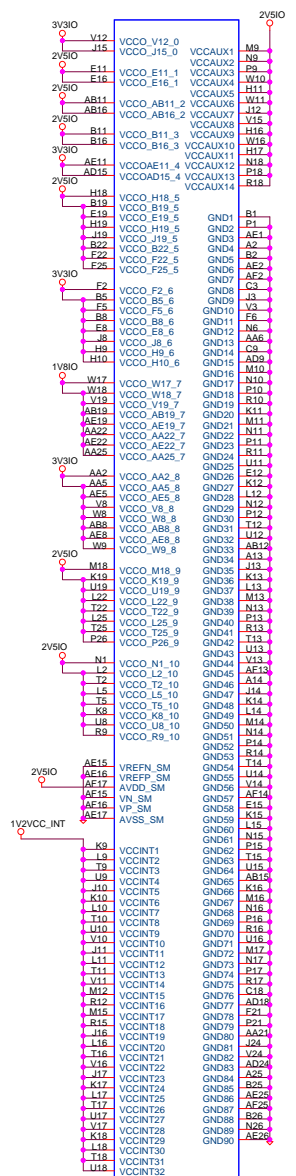
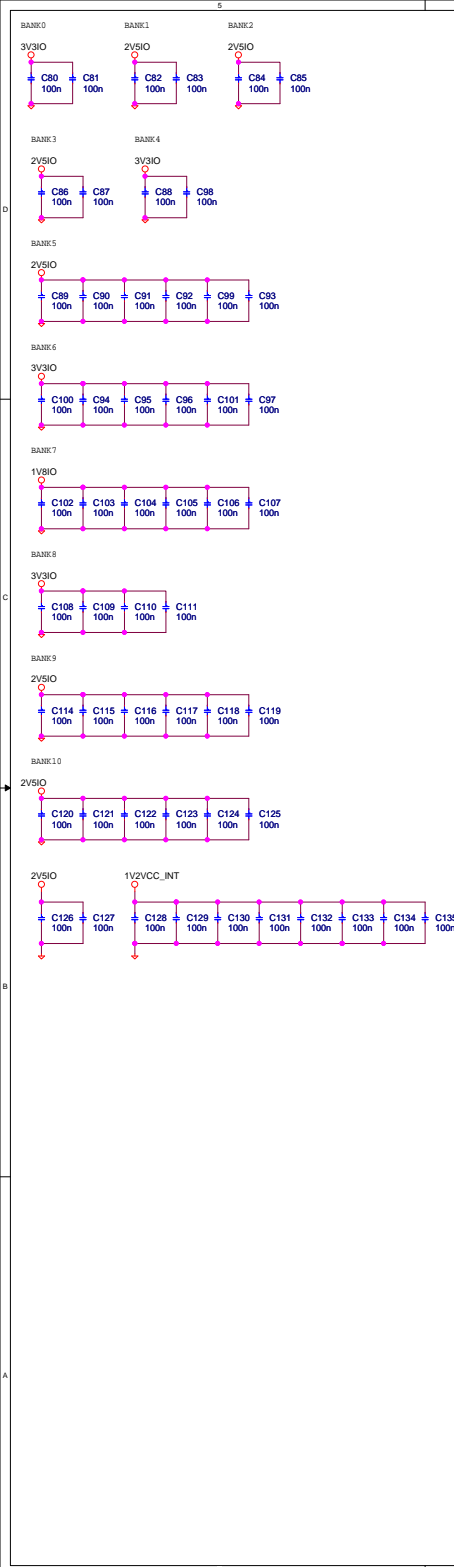
USI-1 HEADER #2



BANK 6 - 3.3V I/O


National Semiconductor
Digital Conversion Division
Salem Design Center
One Sillicon Road
Salem, NJ 08079
Tel: 1-603 896 8800 Fax: 1-603 896 7065

PROJECT NAME: ADC10D1x00RB	PAGE TITLE: FPGA2
DESIGNED: _____ DATE: _____	
DRAWN: _____ DATE: _____	
CHECKED: _____ DATE: _____	
THIS DOCUMENT CONTAINS INFORMATION PROPRIETARY TO NATIONAL SEMICONDUCTOR CORPORATION. USE OR DISCLOSURE WITHOUT WRITTEN PERMISSION IS EXPRESSLY FORBIDDEN. COPYRIGHT 2007.	
LAST MODIFIED: Wednesday, October 20, 2010 DOC # : _____	SCHMATIC REV: 0.92
	Sheet 7 OF 12



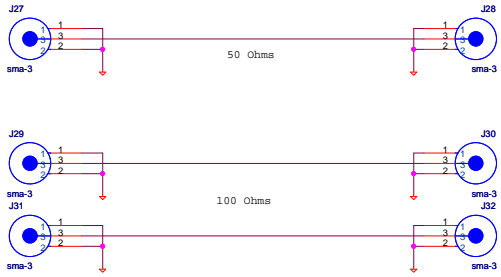
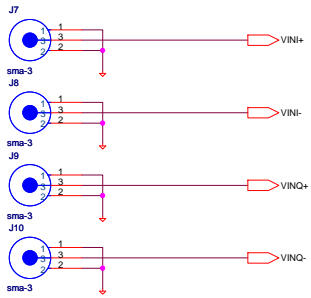
USL
XC4VLX25-11FFG668

BANK #	BANK SUPPLY	INTERFACE
1	2V5IO	Clock Generator
2	2V5IO	Test Headers, Temp. Sensor
3	2V5IO	Cypress, LEDs, 100MHz Oscillator
4	3V3IO	ADC DCLK (LVDS)
5	2V5IO	ADC Q-Channel (LVDS)
6	3V3IO	USI-1 Header
7	1V8IO	ADC Control
8	3V3IO	Cypress, LEDs
9	2V5IO	ADC I-Channel (LVDS)
10	2V5IO	Logic Analyzer Header




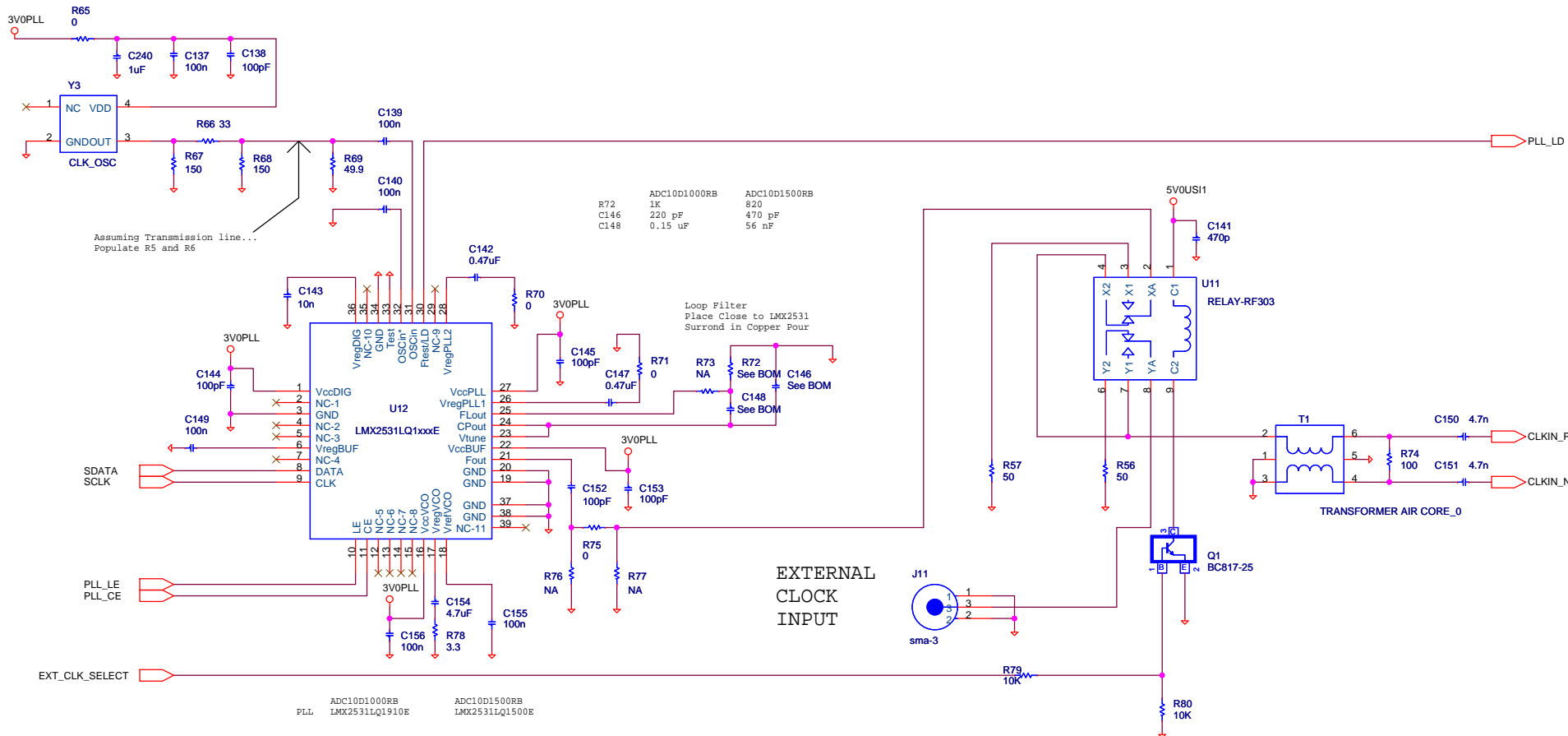
NATIONAL SEMICONDUCTOR CORPORATION
Digital Conversion Division
Salem Design Center
One Shiloh Road
Salem, NH 03079
Tel: 1-603 896 8800 Fax: 1-603 896 7065


PROJECT NAME: ADC10D1x00RB		PAGE TITLE
		FPGA3
DESIGNED:	DATE:	
DRAWN:	DATE:	
CHECKED:	DATE:	
THIS DOCUMENT CONTAINS INFORMATION PROPRIETARY TO NATIONAL SEMICONDUCTOR CORPORATION. USE OR DISCLOSURE WITHOUT WRITTEN PERMISSION IS EXPRESSLY FORBIDDEN. COPYRIGHT 2007.		SCHEMATIC REV: 0.02
LAST MODIFIED: Wednesday, October 20, 2010 DOC #:		Sheet 8 OF 12



Impedance test connectors

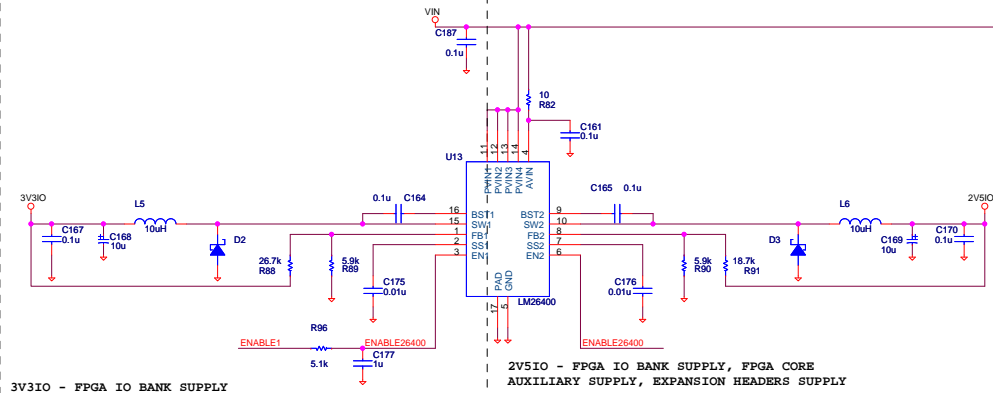
		NATIONAL SEMICONDUCTOR CORPORATION Digital Conversion Division Salem Design Center One Stiles Road Salem, NH 03075 Tel: 1-603 896 8800 Fax: 1-603 896 7065	
		PROJECT NAME: ADC10D1x00RB	
DESIGNED:	DATE:	PAGE TITLE Front End	
DRAWN:	DATE:		
CHECKED:	DATE:	SCHEMATIC REV: 0.92	
THIS DOCUMENT CONTAINS INFORMATION PROPRIETARY TO NATIONAL SEMICONDUCTOR CORPORATION. USE OR DISCLOSURE WITHOUT WRITTEN PERMISSION IS EXPRESSLY FORBIDDEN. COPYRIGHT 2007.		Sheet 9 OF 12	
LAST MODIFIED: Wednesday, October 20, 2010 DOC #: _____			





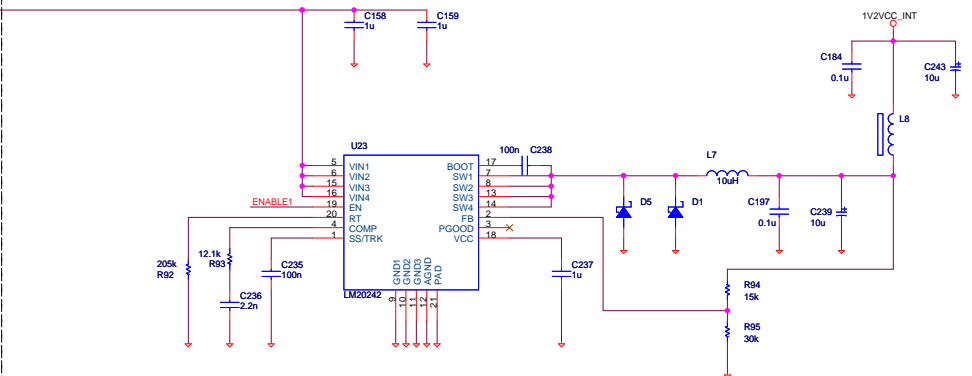
NATIONAL SEMICONDUCTOR CORPORATION
 Digital Conversion Division
 Salem Design Center
 One Stiles Road
 Salem, NH 03079
 Tel: 1-603 896 8800 Fax: 1-603 896 7085

PROJECT NAME: ADC10D1x00RB	PAGE TITLE: PLL
DESIGNED:	DATE:
DRAWN:	DATE:
CHECKED:	DATE:
THIS DOCUMENT CONTAINS INFORMATION PROPRIETARY TO NATIONAL SEMICONDUCTOR CORPORATION. USE OR DISCLOSURE WITHOUT WRITTEN PERMISSION IS EXPRESSLY FORBIDDEN. COPYRIGHT 2007.	SCHEMATIC REV: 0.92
LAST MODIFIED: Wednesday, October 20, 2010 DOC # : _____	Sheet 10 OF 12

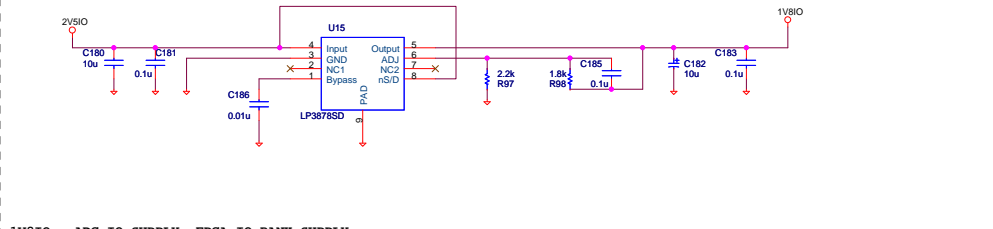


3V3IO - FPGA IO BANK SUPPLY

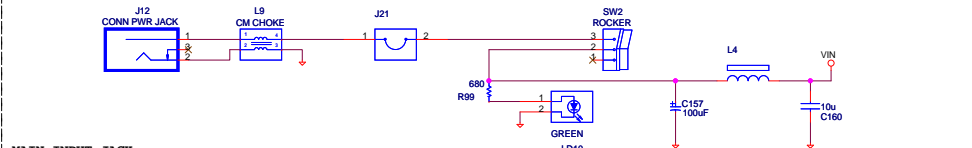
2V5IO - FPGA IO BANK SUPPLY, FPGA CORE AUXILIARY SUPPLY, EXPANSION HEADERS SUPPLY



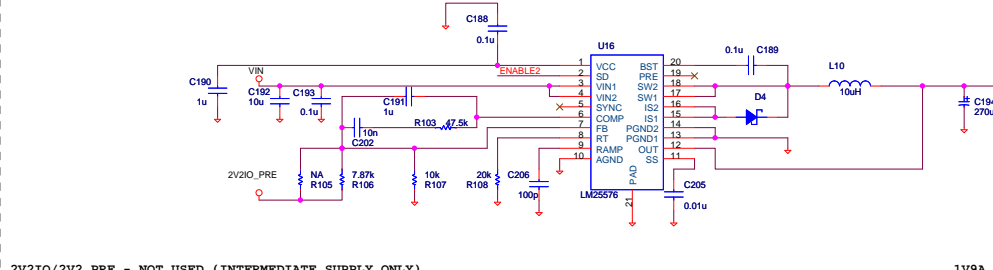
1V2VCC_INT - FPGA CORE SUPPLY



1V8IO - ADC IO SUPPLY, FPGA IO BANK SUPPLY

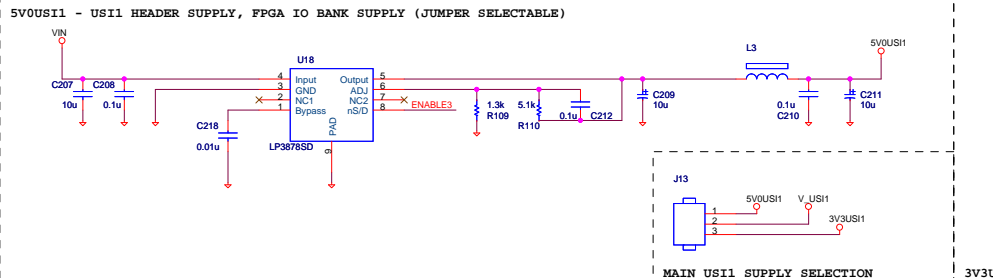


MAIN INPUT JACK



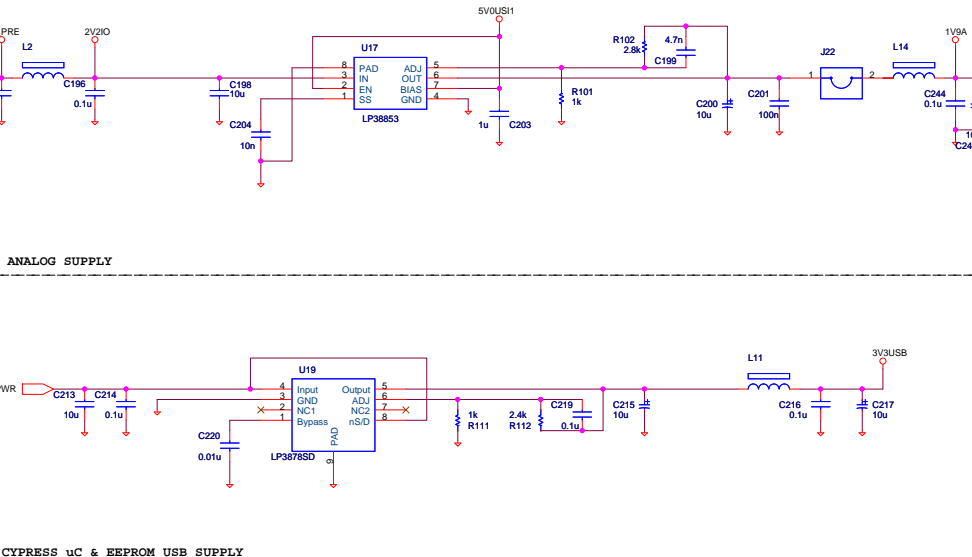
2V2IO/2V2_PRE - NOT USED (INTERMEDIATE SUPPLY ONLY)

1V9A - ADC ANALOG SUPPLY

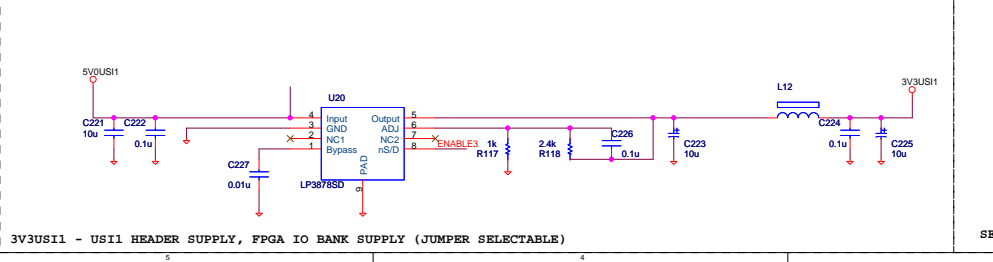


5V0USI1 - US11 HEADER SUPPLY, FPGA IO BANK SUPPLY (JUMPER SELECTABLE)

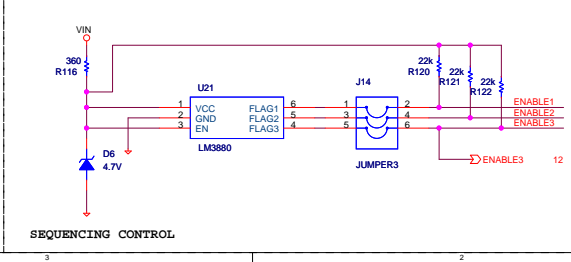
MAIN US11 SUPPLY SELECTION



3V3USB - CYPRESS uC & EEPROM USB SUPPLY



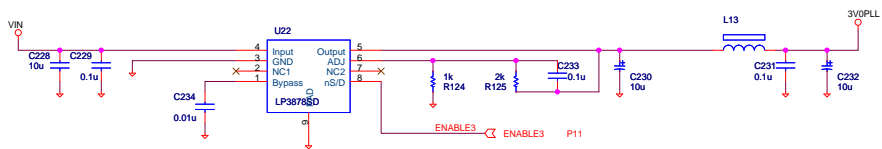
3V3USI1 - US11 HEADER SUPPLY, FPGA IO BANK SUPPLY (JUMPER SELECTABLE)



SEQUENCING CONTROL


National Semiconductor
 Digital Conversion Division
 One Siltco Road
 Salem, NH 03079
 Tel: 1-603-896-8800 Fax: 1-603-896-7065

PROJECT NAME: ADC10D1x00RB	PAGE TITLE: Power1
DESIGNED: _____	DATE: _____
DRAWN: _____	DATE: _____
CHECKED: _____	DATE: _____
THIS DOCUMENT CONTAINS INFORMATION PROPRIETARY TO NATIONAL SEMICONDUCTOR CORPORATION. USE OR DISCLOSURE WITHOUT WRITTEN PERMISSION IS EXPRESSLY FORBIDDEN. COPYRIGHT 2007.	
LAST MODIFIED: Wednesday, October 20, 2010 DOC # : _____	SCHEMATIC REV: 0.02
Sheet 11 OF 12	



3V0PLL - LMX2531 CLOCK GENERATOR SUPPLY



		NATIONAL SEMICONDUCTOR CORPORATION Digital Conversion Division Salem Design Center One Stiles Road Salem, NH 03075 Tel: 1-603 896 8800 Fax: 1-603 896 7065	
		PROJECT NAME: ADC10D1x00RB	
DESIGNED:	DATE:	PAGE TITLE Power2	
DRAWN:	DATE:		
CHECKED:	DATE:		
THIS DOCUMENT CONTAINS INFORMATION PROPRIETARY TO NATIONAL SEMICONDUCTOR CORPORATION. USE OR DISCLOSURE WITHOUT WRITTEN PERMISSION IS EXPRESSLY FORBIDDEN. COPYRIGHT 2007.		SCHEMATIC REV: 0.02	
LAST MODIFIED: Wednesday, October 20, 2010 DOC #: _____		Sheet 12 OF 12	