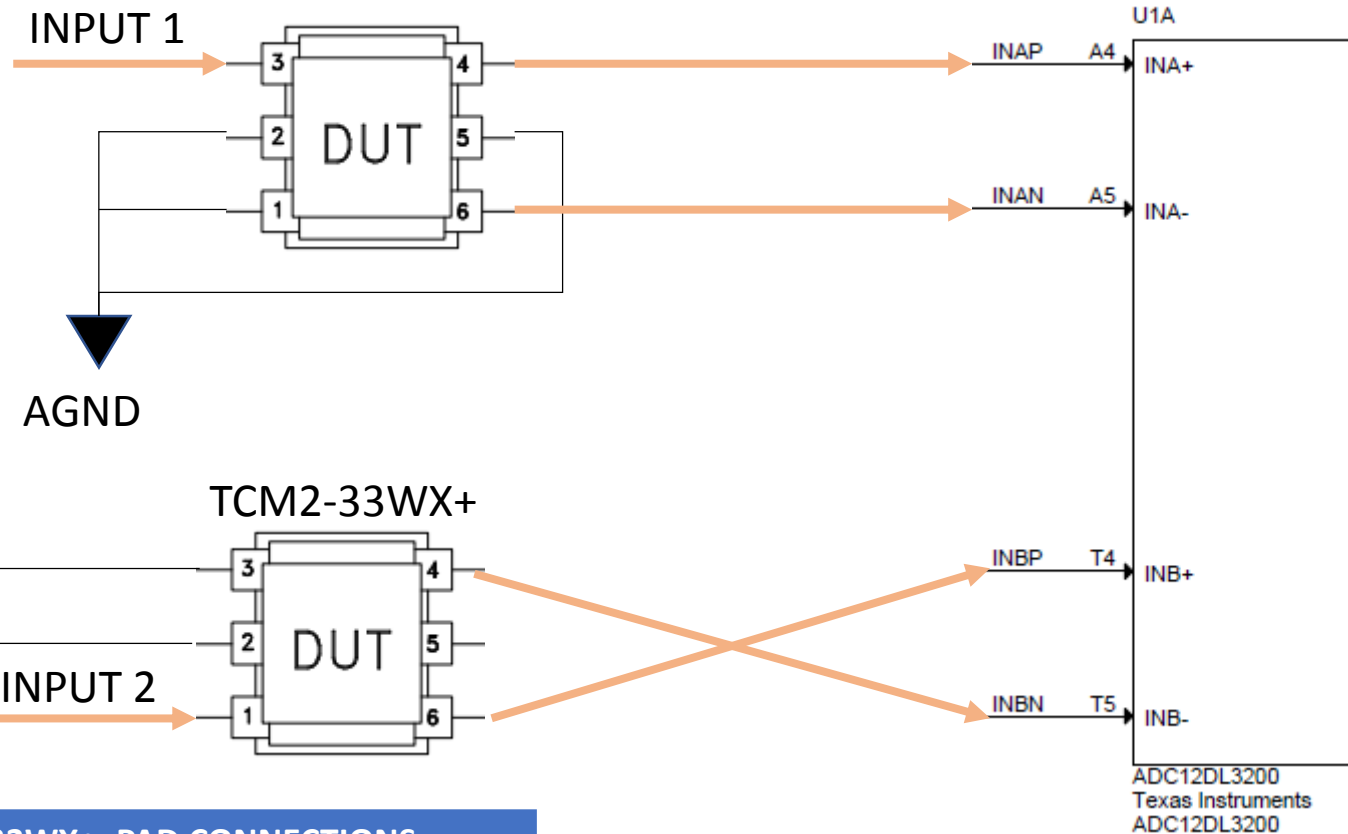


## TCM2-33WX+



### TCM2-33WX+: PAD CONNECTIONS

|               |      |
|---------------|------|
| Primary Dot   | 3    |
| Primary       | 1    |
| Secondary Dot | 4    |
| Secondary     | 6    |
| GND           | 2, 5 |

- 1) Is this input configuration correct?
- 2) In this way the input signals are phase aligned?