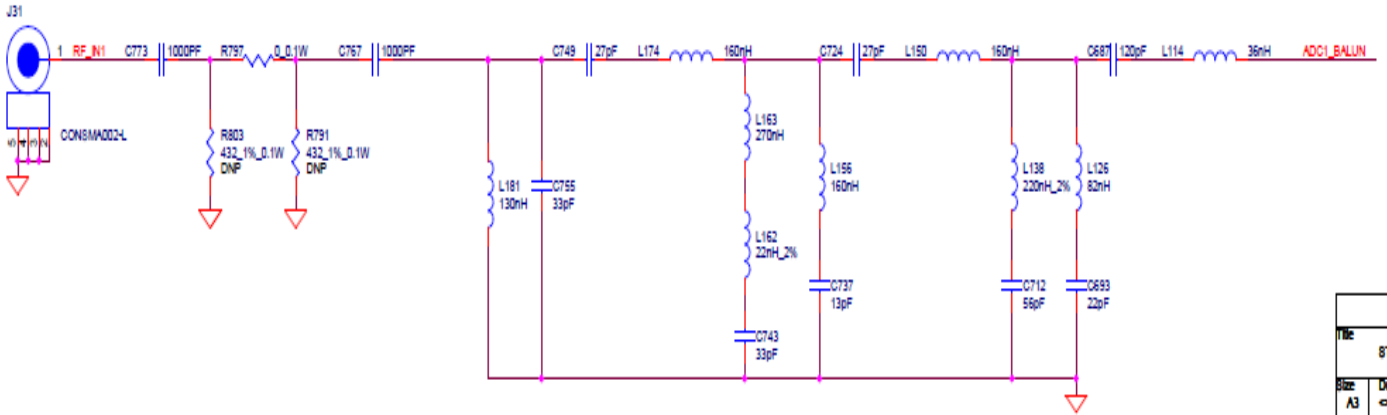
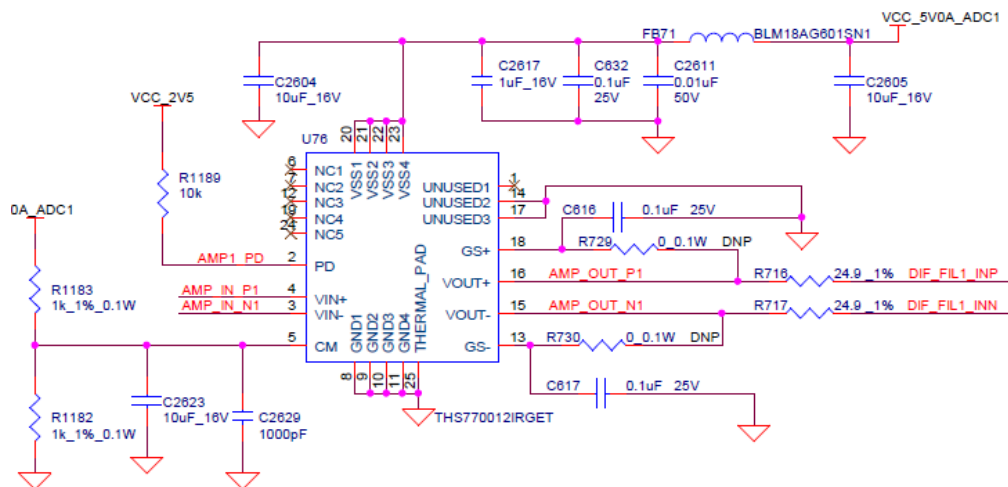
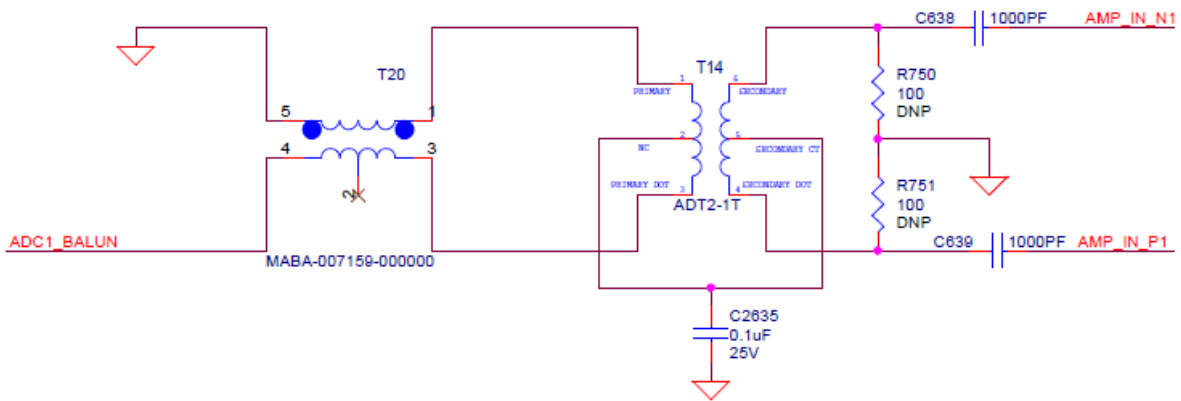
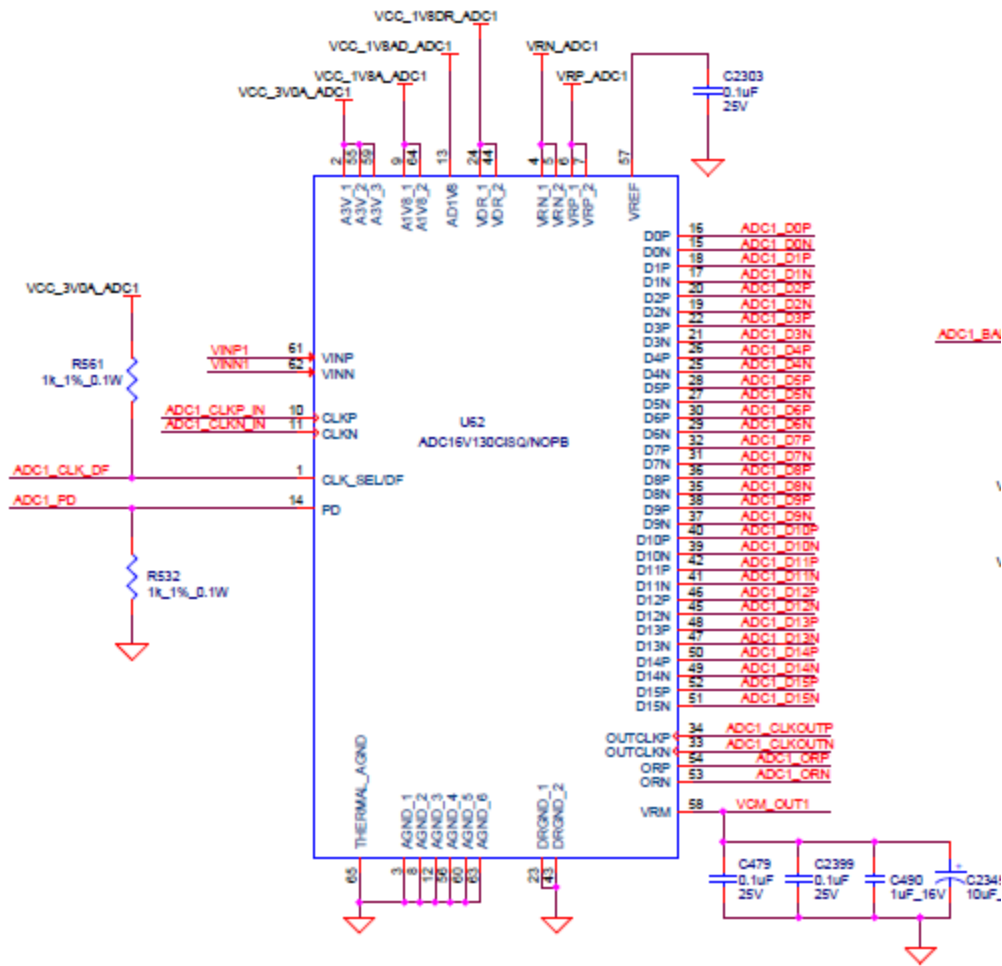
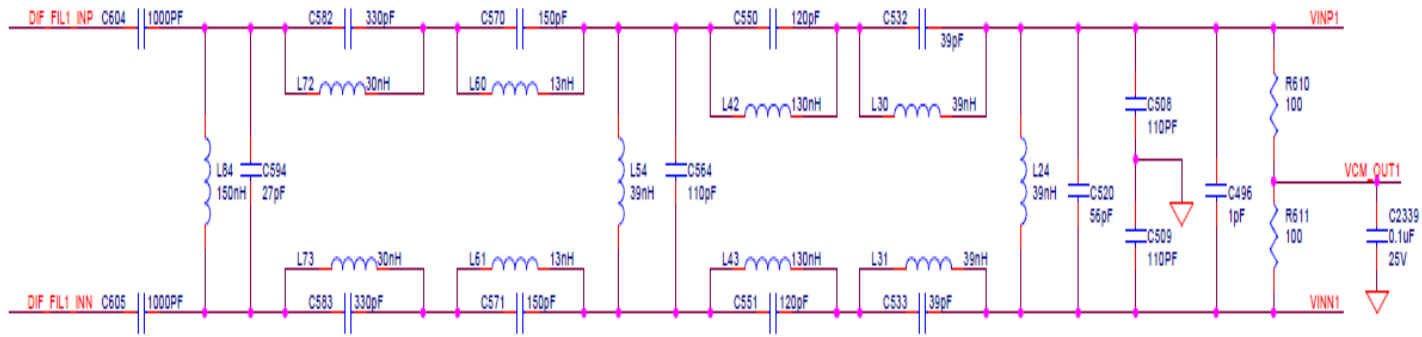


ADC1 ANALOG INPUT FLOW (FROM CONN END TO ADC OUT):



File	8T
Size	06
A3	0





ADC1 CLOCK CONNECTIVITY FLOW (FROM CLK GENERATOR TO ADC IN):

