

ADC31JB68
Sheet 2

LMK04828
Sheet 3

FMC CONNECTOR
Sheet 4

USB I/F
Sheet 5

Power Supplies
Sheet 6

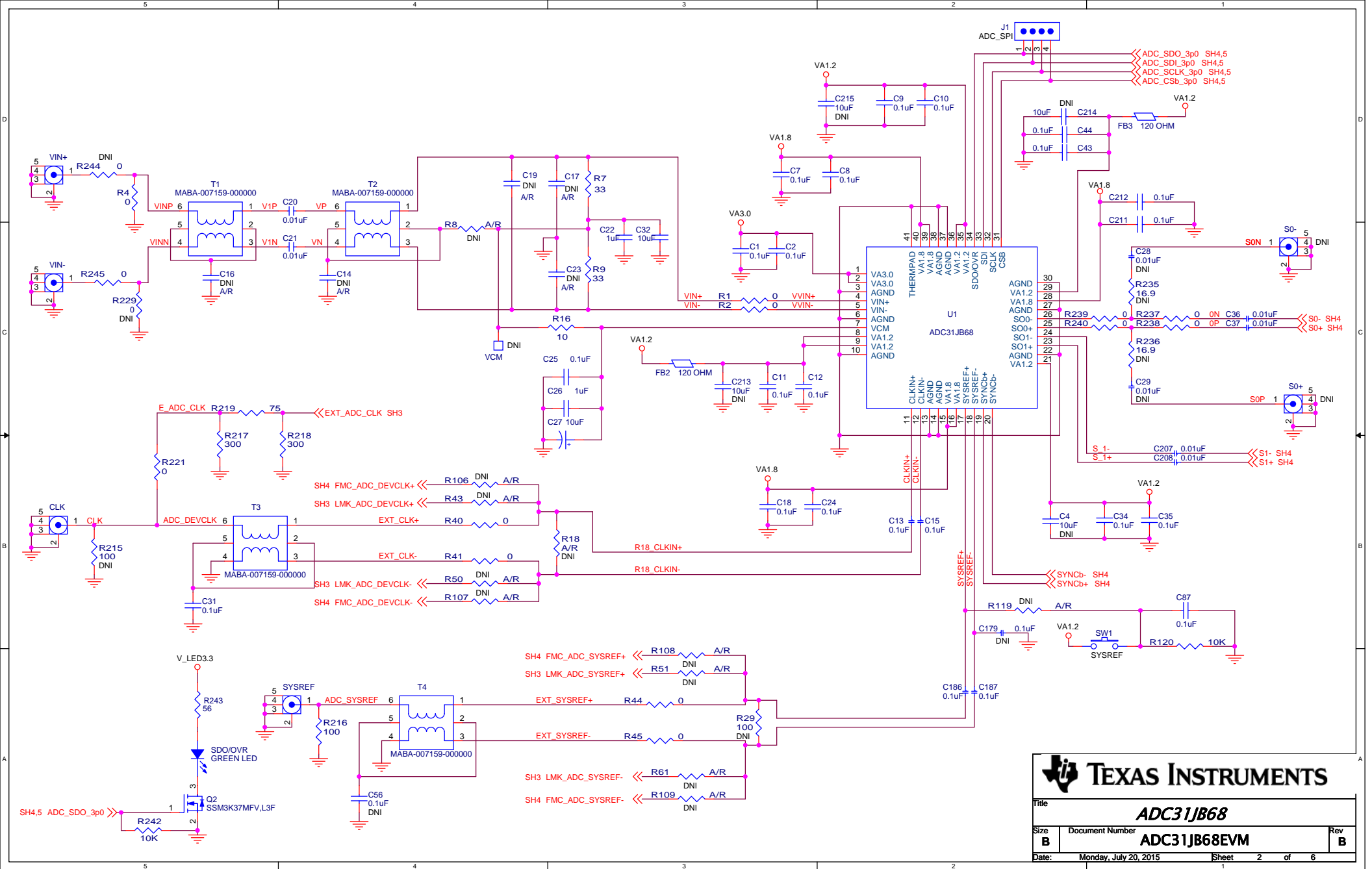


Block Diagram

Engineer: J CARNES 7/15
PCB: L NGUYEN 7/15

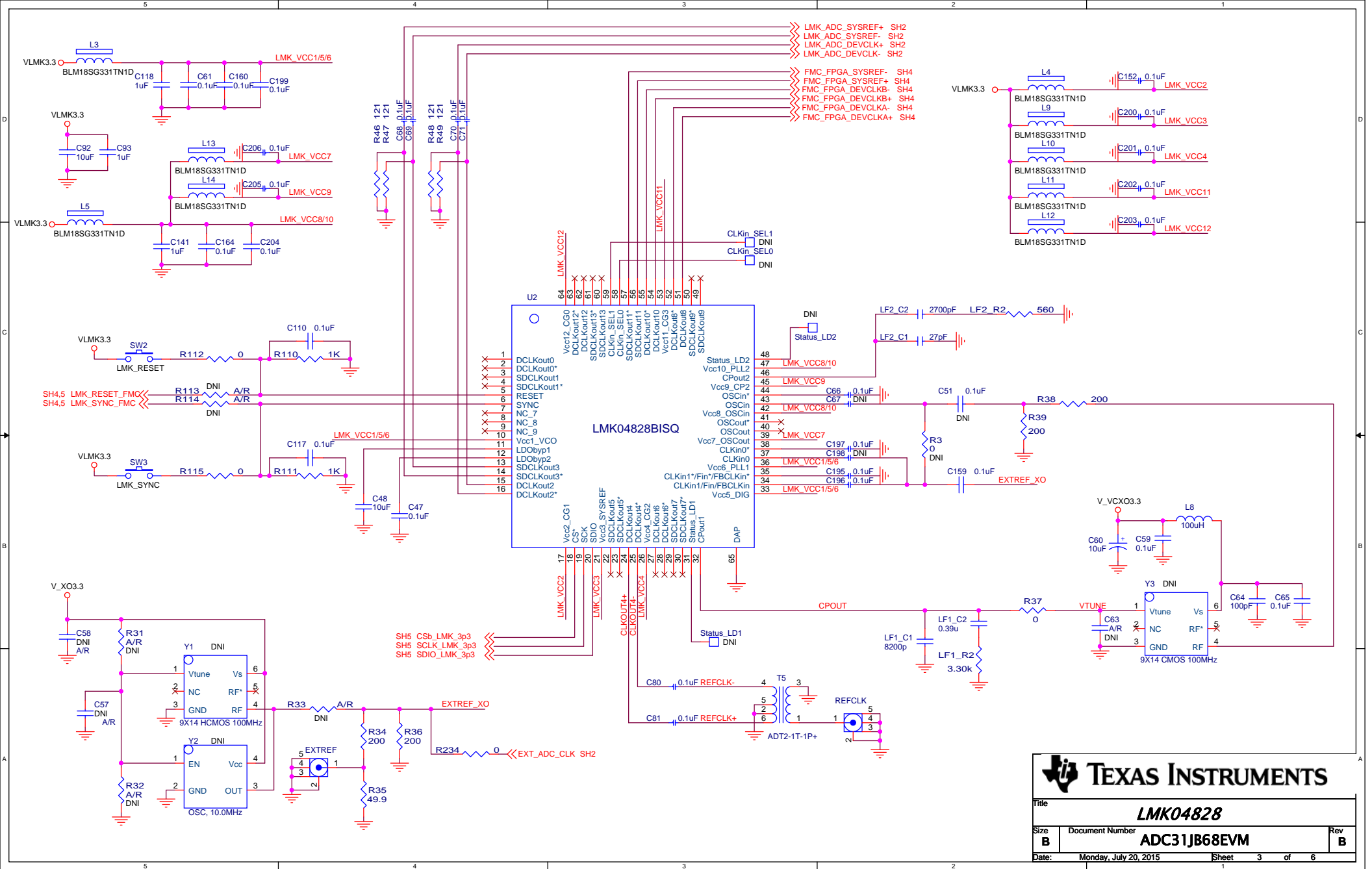
Size **B** Document Number **ADC31JB68EVM** Rev **B**

Date: Monday, July 20, 2015 Sheet 1 of 6



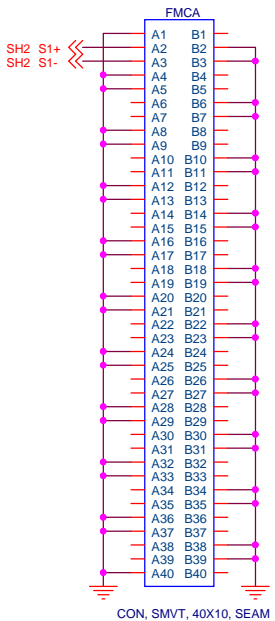
TEXAS INSTRUMENTS

Title		
ADC31JB68		
Size	Document Number	Rev
B	ADC31JB68EVM	B
Date:	Monday, July 20, 2015	Sheet 2 of 6

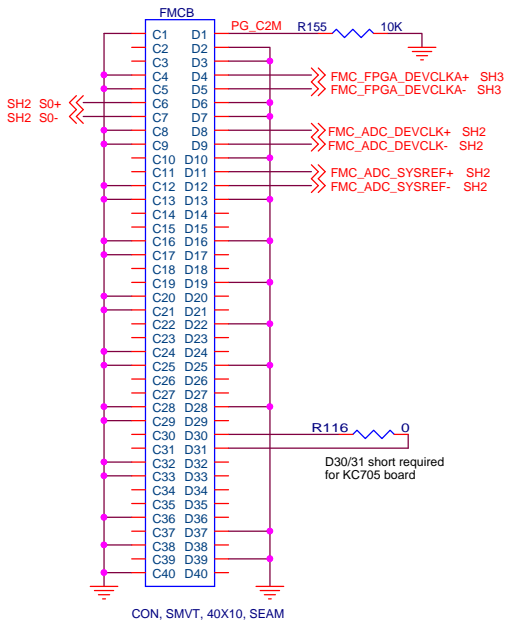


TEXAS INSTRUMENTS

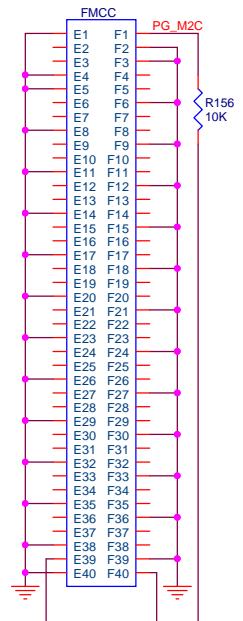
Title		LMK04828
Size	Document Number	ADC31JB68EVM
Date:	Monday, July 20, 2015	Sheet 3 of 6



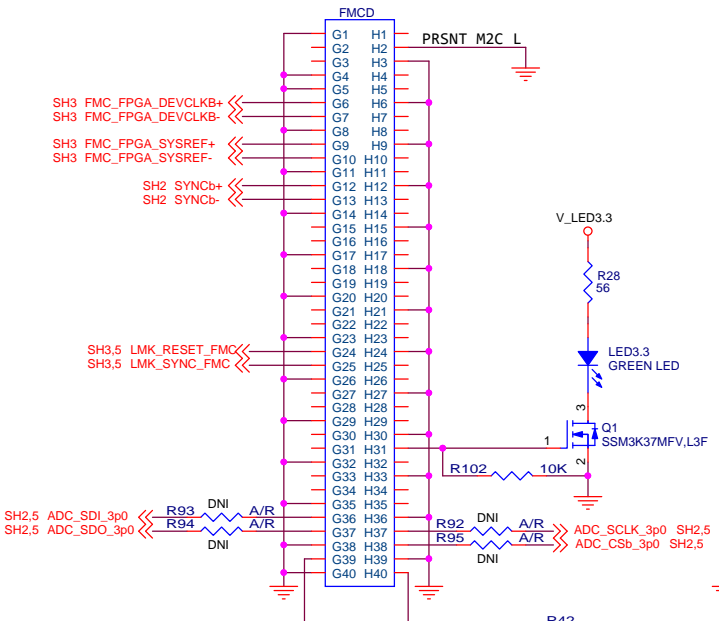
CON, SMVT, 40X10, SEAM



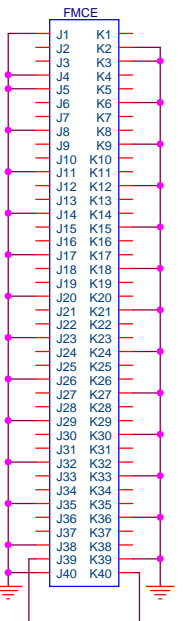
CON, SMVT, 40X10, SEAM



CON, SMVT, 40X10, SEAM



CON, SMVT, 40X10, SEAM



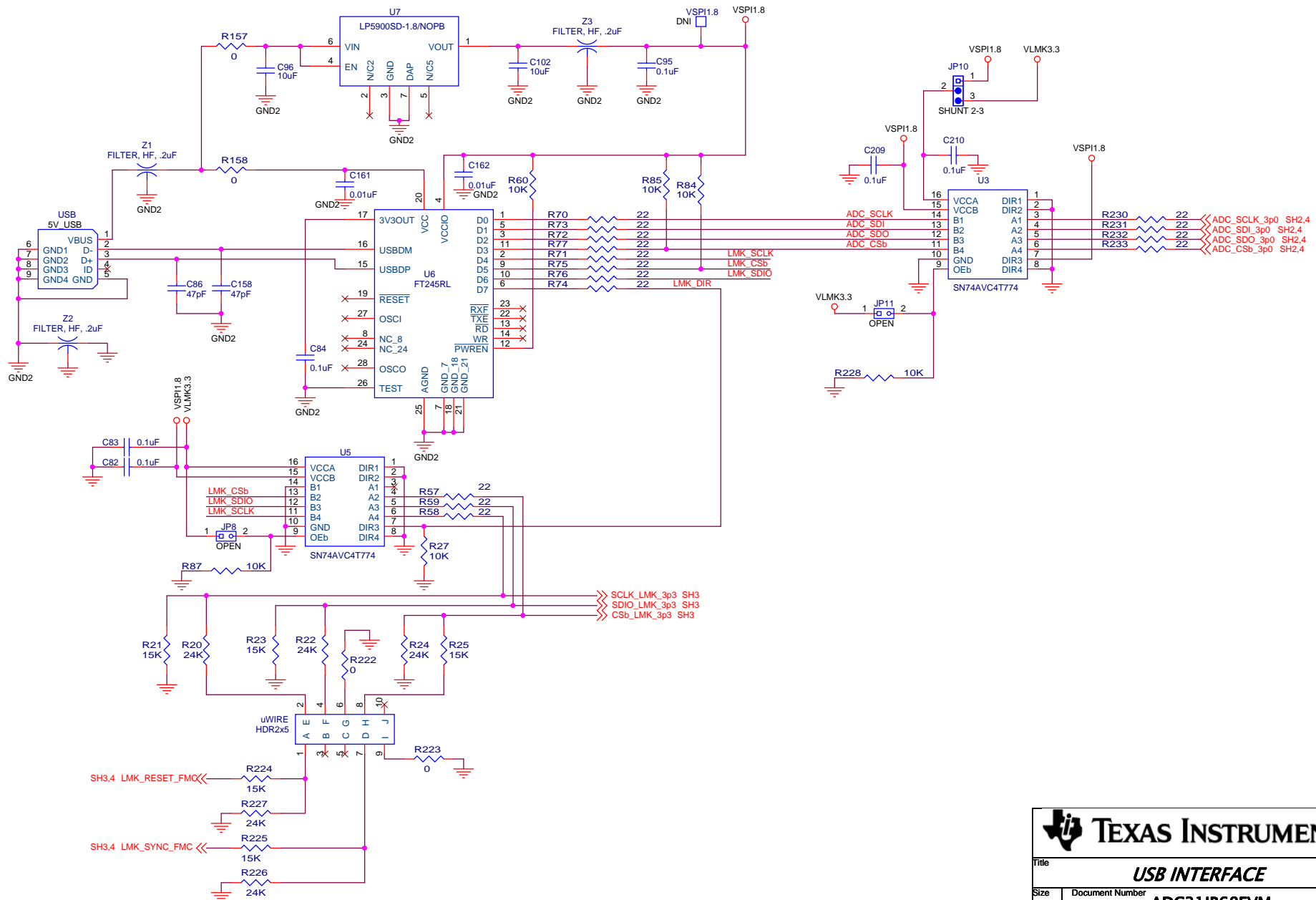
CON, SMVT, 40X10, SEAM

TEXAS INSTRUMENTS

Title: **FMC CONNECTOR**

Size: **B** Document Number: **ADC31JB68EVM** Rev: **B**

Date: **Monday, July 20, 2015** Sheet: **4** of **6**

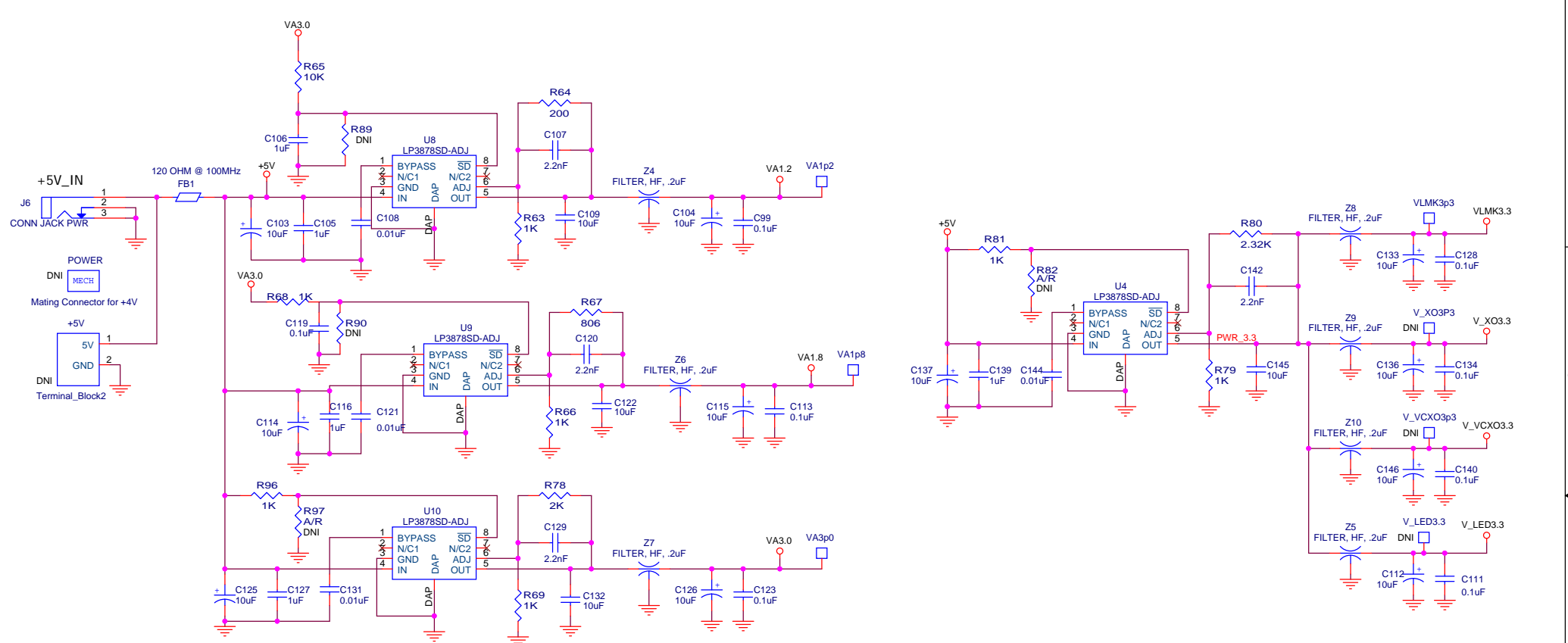


TEXAS INSTRUMENTS

Title: **USB INTERFACE**

Size B Document Number **ADC31JB68EVM** Rev B

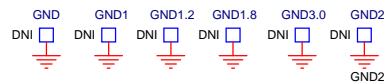
Date: Monday, July 20, 2015 Sheet 5 of 6



MECHANICAL PARTS

BARE BOARD, ADC31JB68EVM

- | | |
|---|----------------------------------|
| <p>MT1
STANDOFF, ALUM, FEMALE, 4-40 X 1 1/16"</p> | <p>SCREW PANHEAD 4-40 x 3/4"</p> |
| <p>MT2
STANDOFF, ALUM, FEMALE, 4-40 X 1 1/16"</p> | <p>SCREW PANHEAD 4-40 x 3/4"</p> |
| <p>MT3
STANDOFF, ALUM, FEMALE, 4-40 X 1 1/16"</p> | <p>SCREW PANHEAD 4-40 x 3/4"</p> |
| <p>MT4
STANDOFF, ALUM, FEMALE, 4-40 X 1 1/16"</p> | <p>SCREW PANHEAD 4-40 x 3/4"</p> |



TEXAS INSTRUMENTS		
Title POWER SUPPLIES		
Size B	Document Number ADC31JB68EVM	Rev B
Date: Monday, July 20, 2015	Sheet 6 of 6	