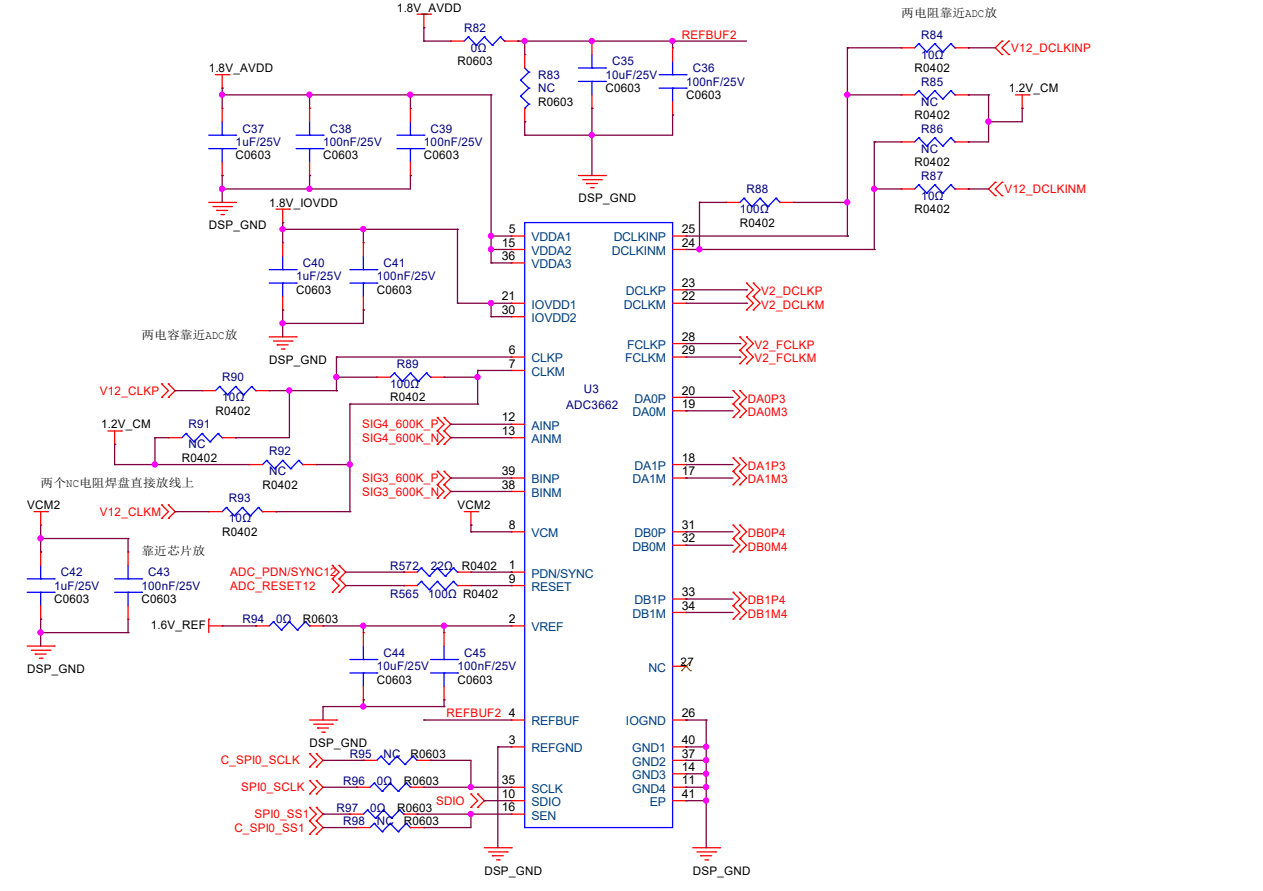
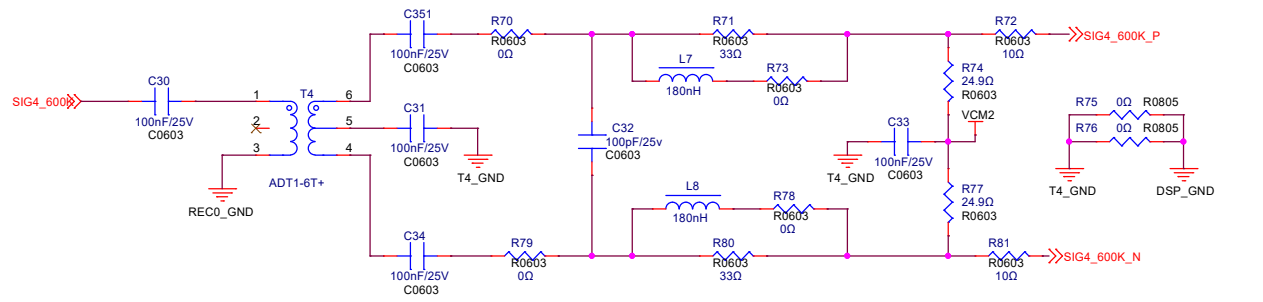
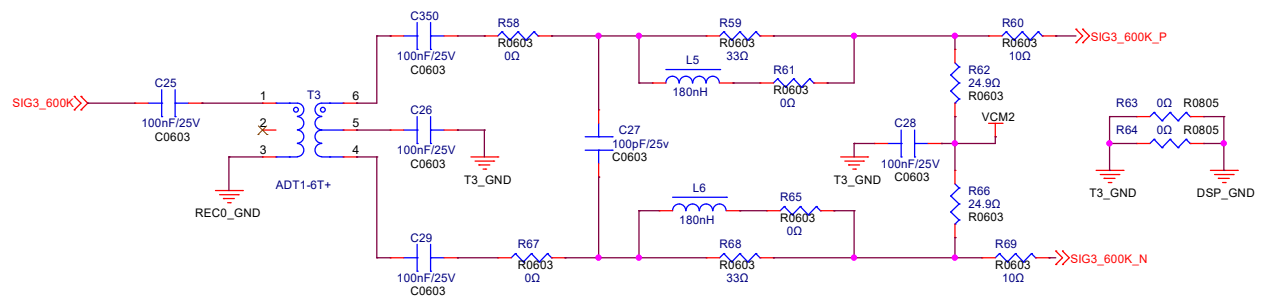
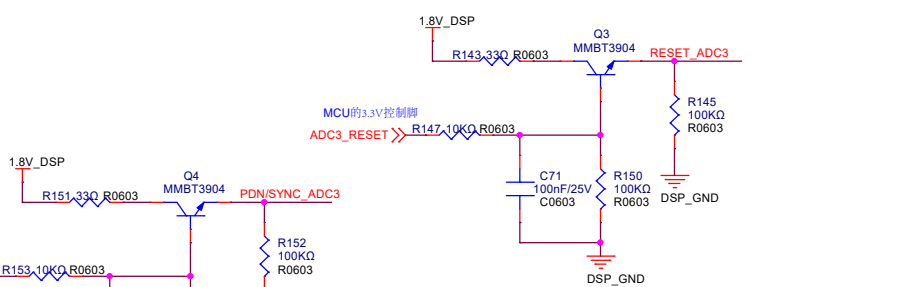
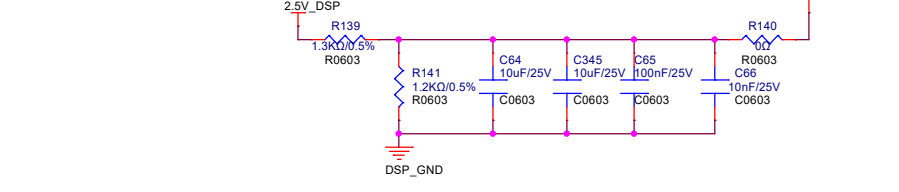
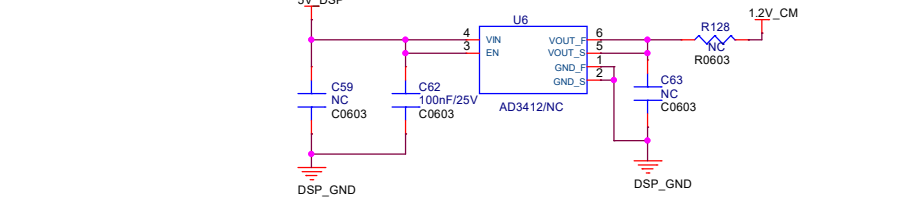
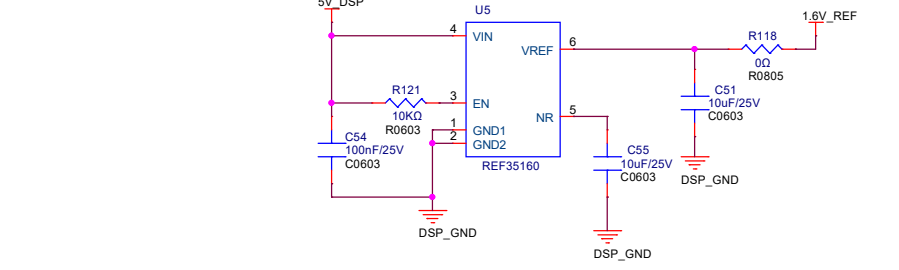
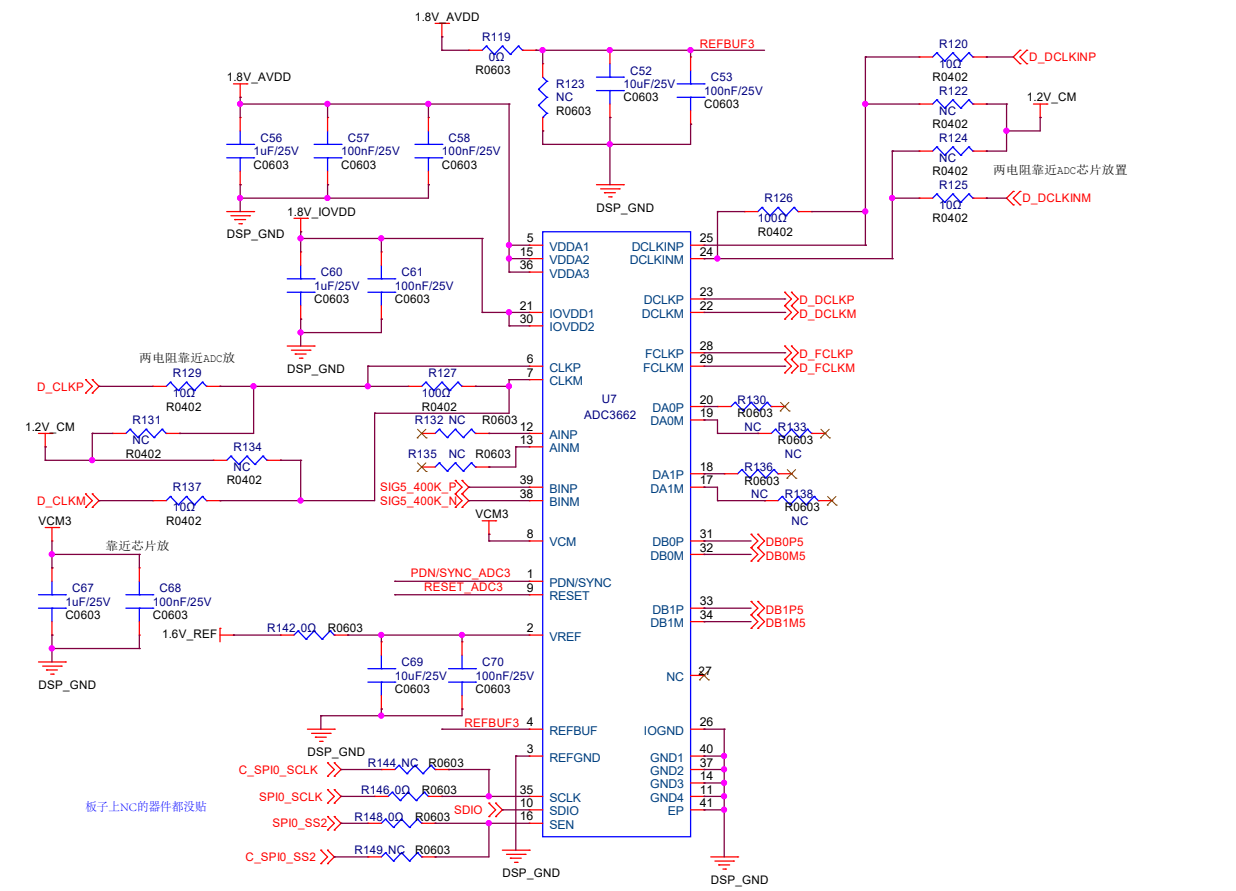
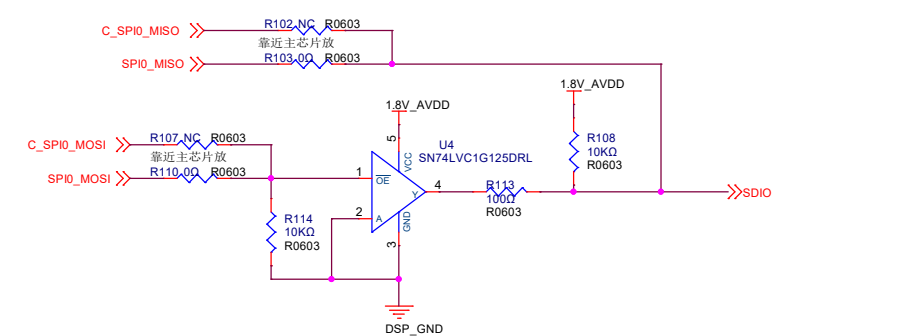
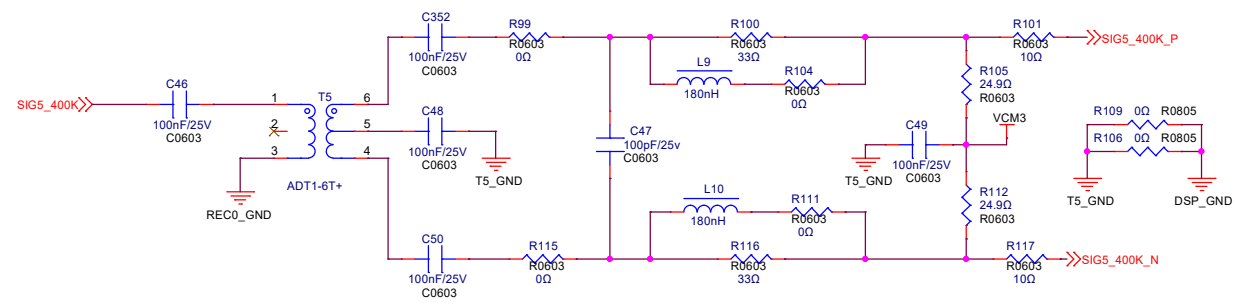


Title		<Title>
Size	Document Number	Rev
A3	<Doc>	<Rev Code>
Date:	Monday, January 26, 2026	Sheet 1 of 12



Title:	<Title>	Rev:	
Size:	A3	Document Number:	<Doc>
Date:	Monday, January 26, 2026	Sheet:	2 of 12



板子上NC的器件都没贴

Title		<Title>
Size	Document Number	<Doc>
Date	Monday, January 26, 2026	Sheet 3 of 12