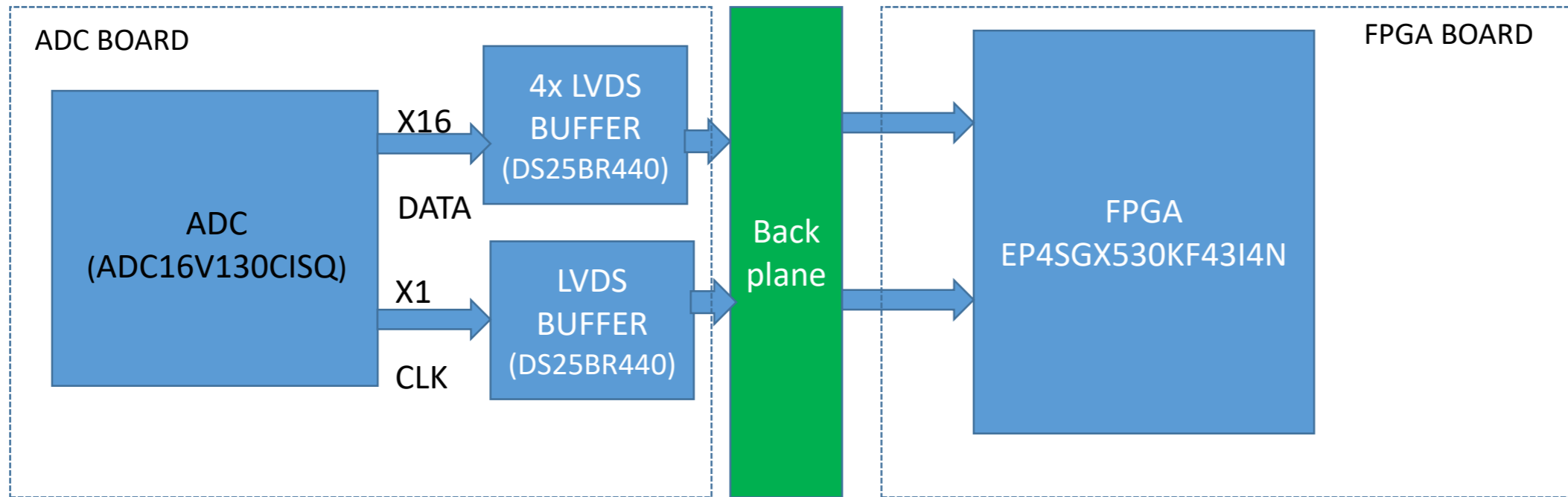


# New Architecture

## ADC BOARD



## DAC BOARD

