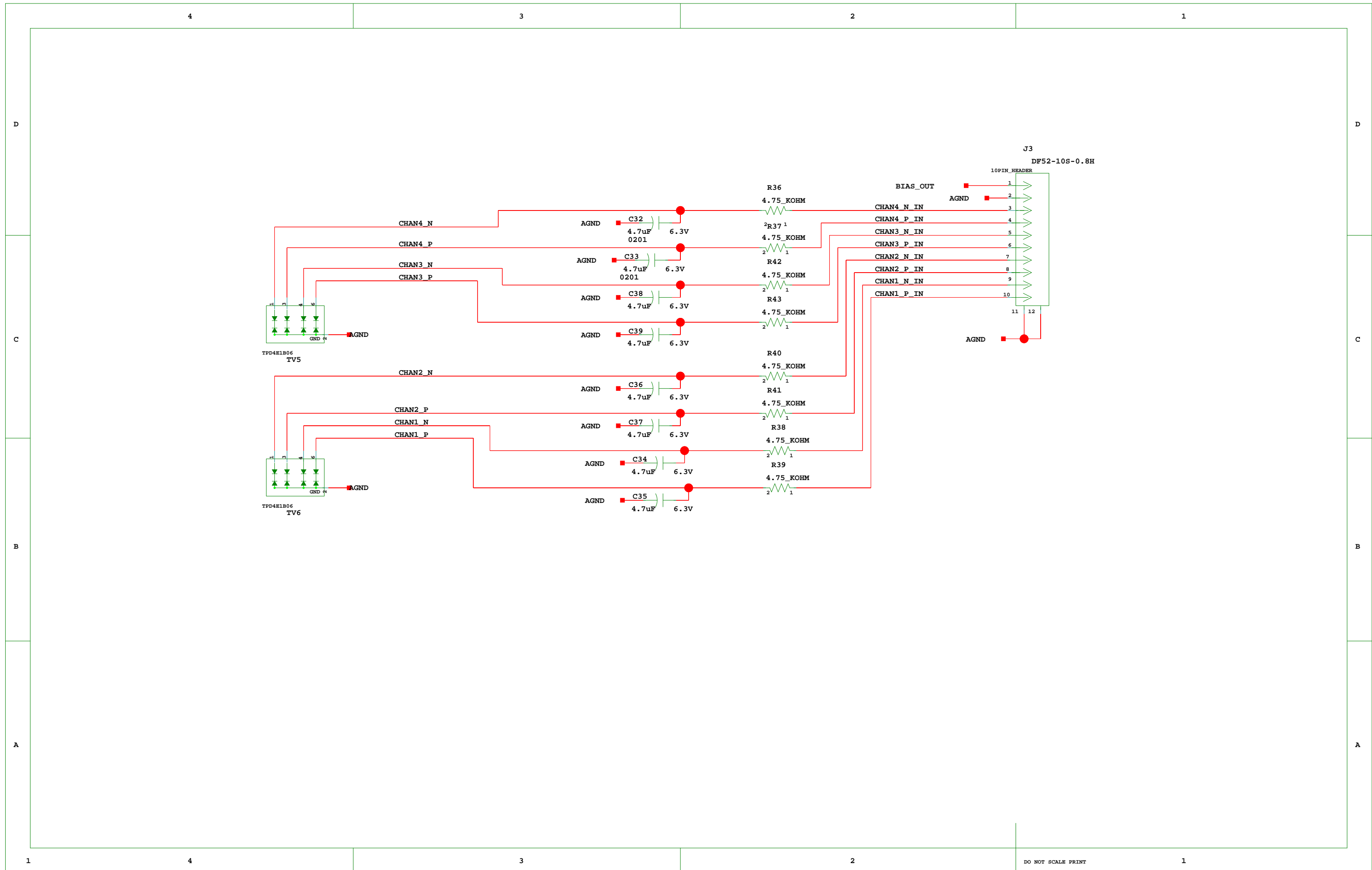


U5

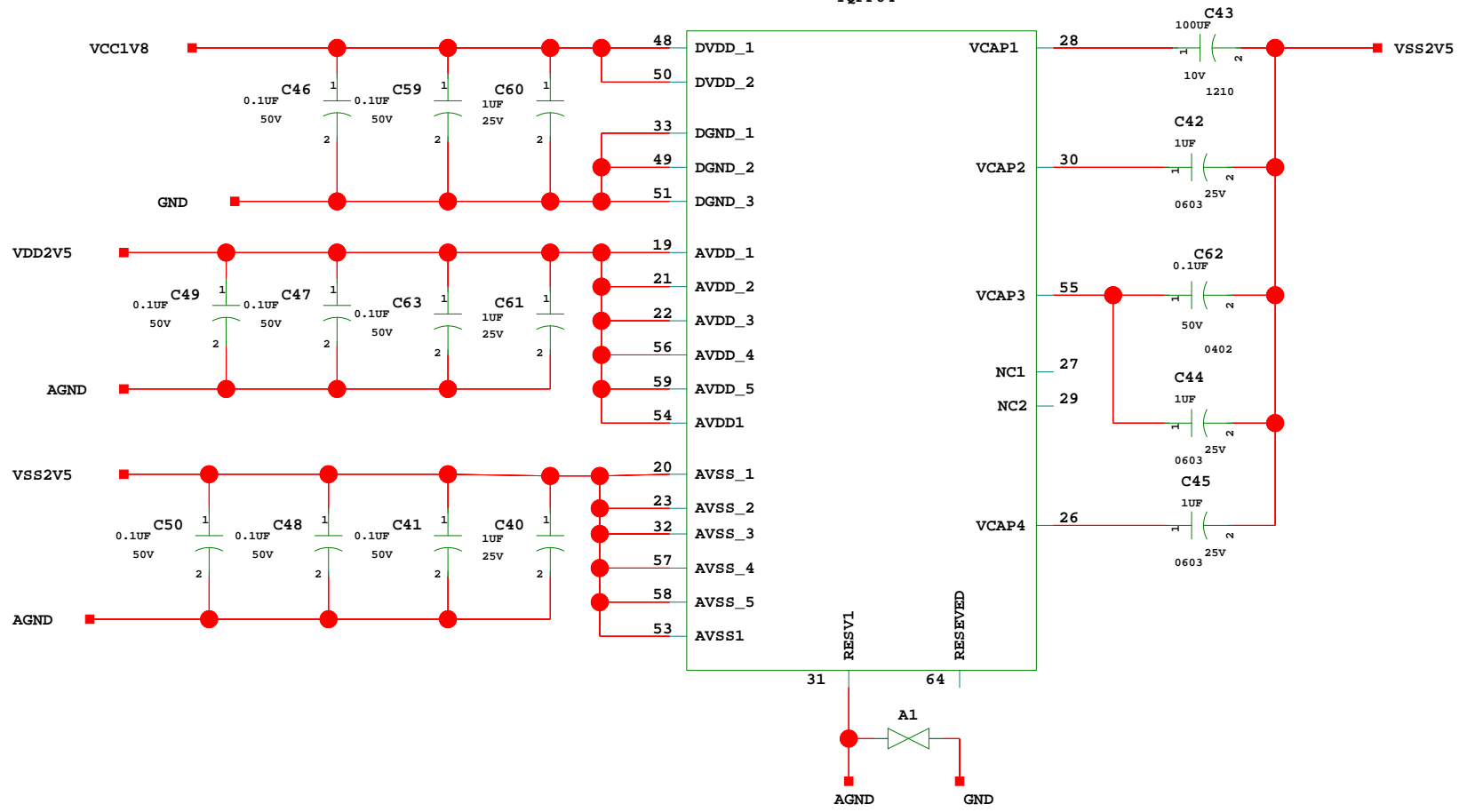
ADS1299
TQFP64

52	CLKSEL	8IN_N	1
37	CLK	8IN_P	2
40	SCLK	7IN_N	3
34	DIN	7IN_P	4
43	DOUT	6IN_N	5
47	DRDY	6IN_P	6
41	DAISY_IN	5IN_N	7
39	CS	5IN_P	8
36	RESET	4IN_N	9
35	PWRDN	4IN_P	10
38	START	3IN_N	11
42	GPIO1	3IN_P	12
44	GPIO2	2IN_N	13
45	GPIO3	2IN_P	14
46	GPIO4	1IN_N	15
60	BIAS_REF	1IN_P	16
62	BIAS_IN	SRB1	17
63	BIAS_OUT	SRB2	18
61	BIAS_INV		
24	VREF_P		
25	VREF_N		



U5

ADS1299
TQFP64



PLACE A1 BETWEEN U5-31 AND U5-33