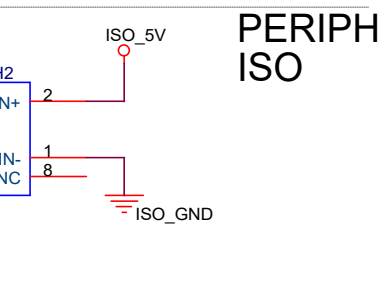
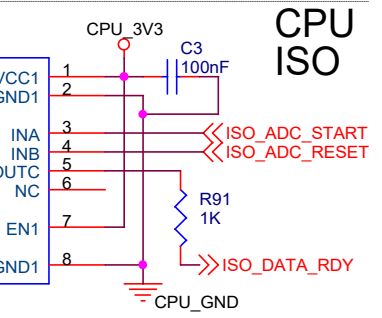
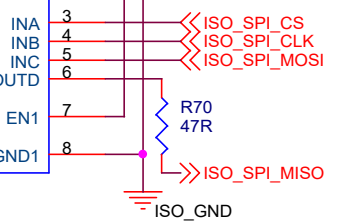
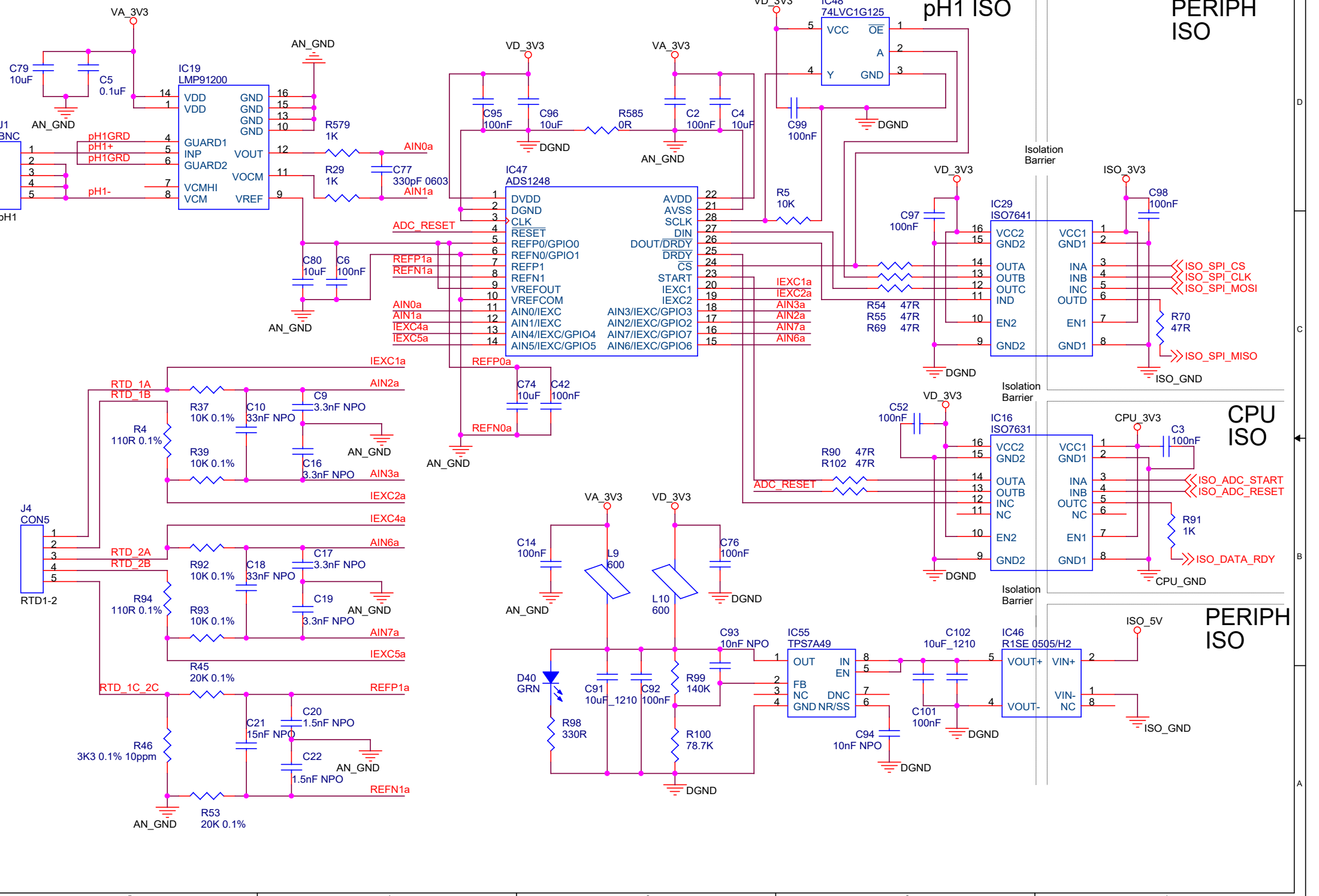


# PERIPH ISO

# pH1 ISO

# CPU ISO

# PERIPH ISO



J1 BNC

pH1

C

B

J4 CON5

RTD1-2

A

D

C

B

A