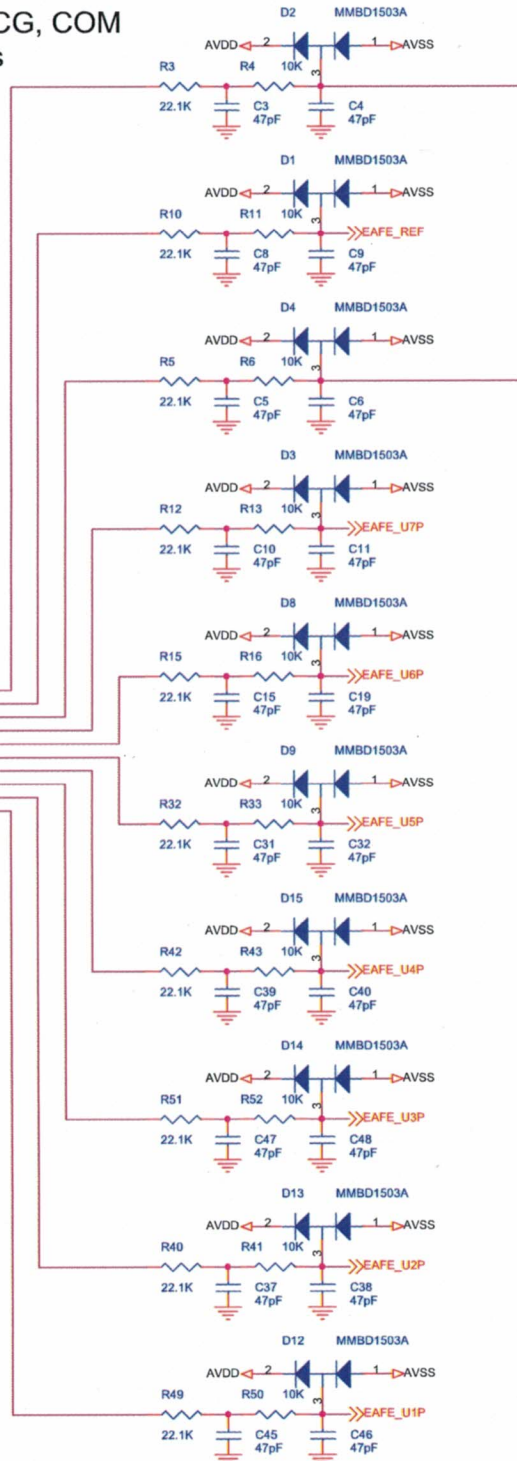
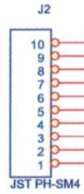
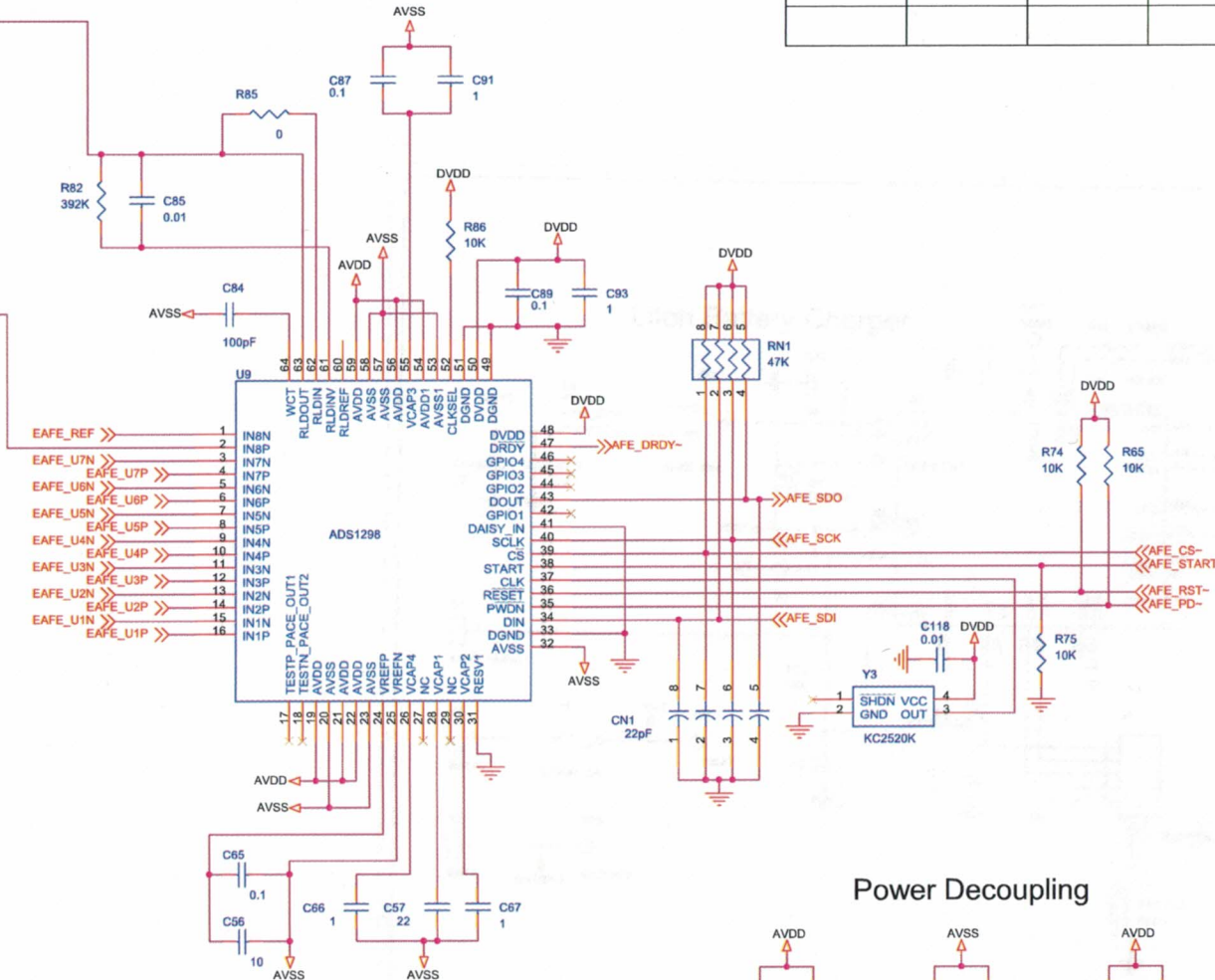


uEMG P, FECG, COM
Input + Filters



Analog Front End (AFE)



REV	ECO	DATE	APPROVAL

Layout Notes:
AVDD1 and AVSS1 should be star-connected to AVDD and AVSS.
Decoupling caps should be placed as close to the IC as possible.

Power Decoupling

