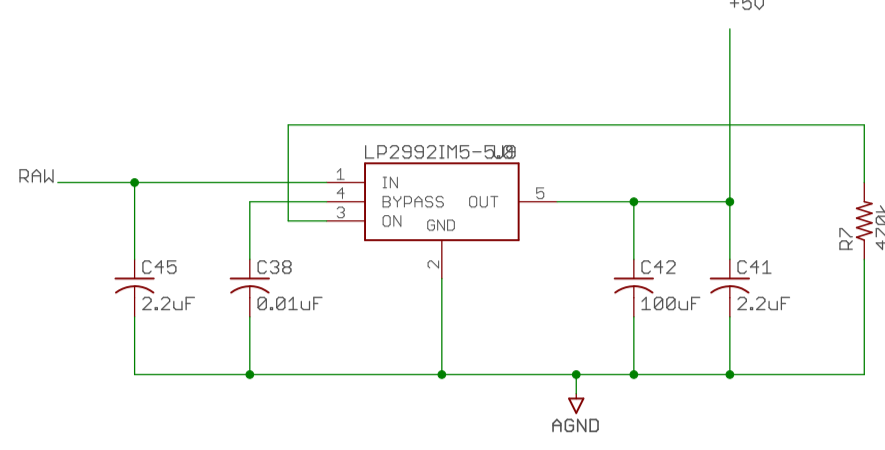
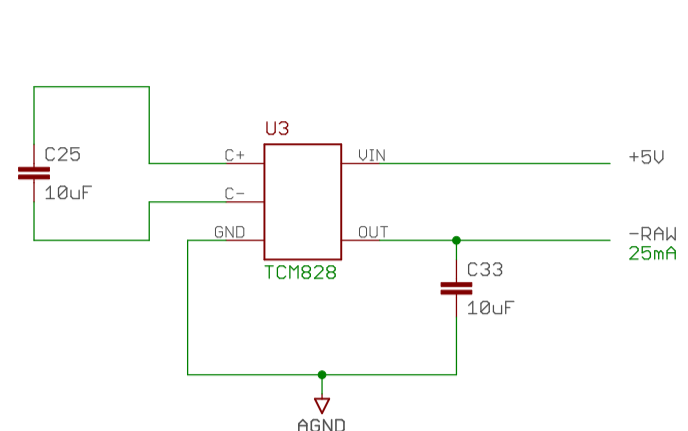


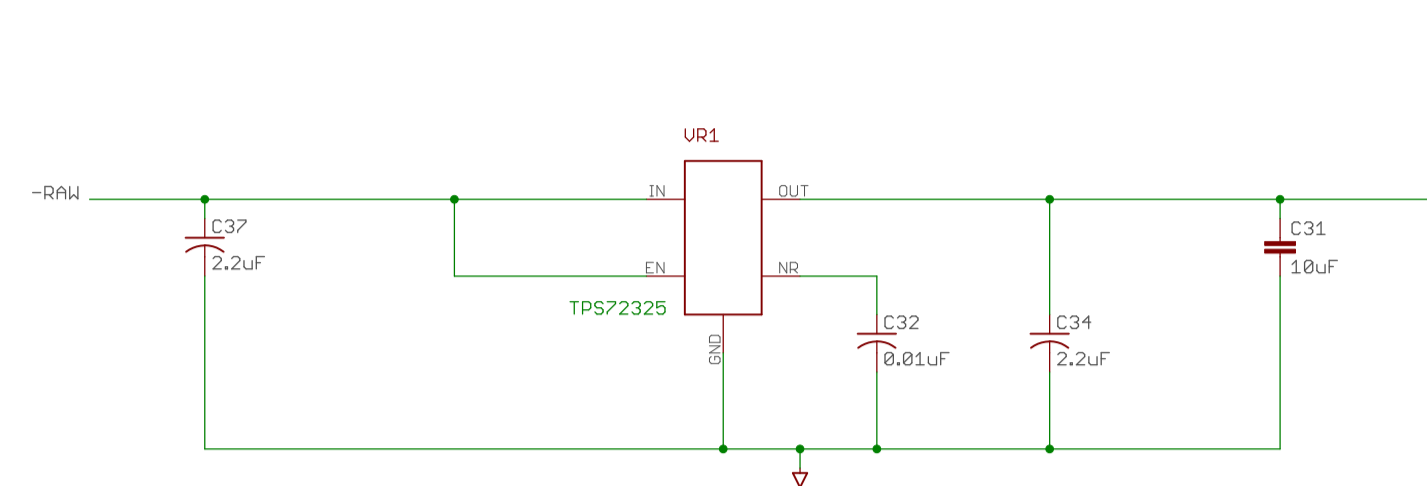
5V LDO REGULATOR



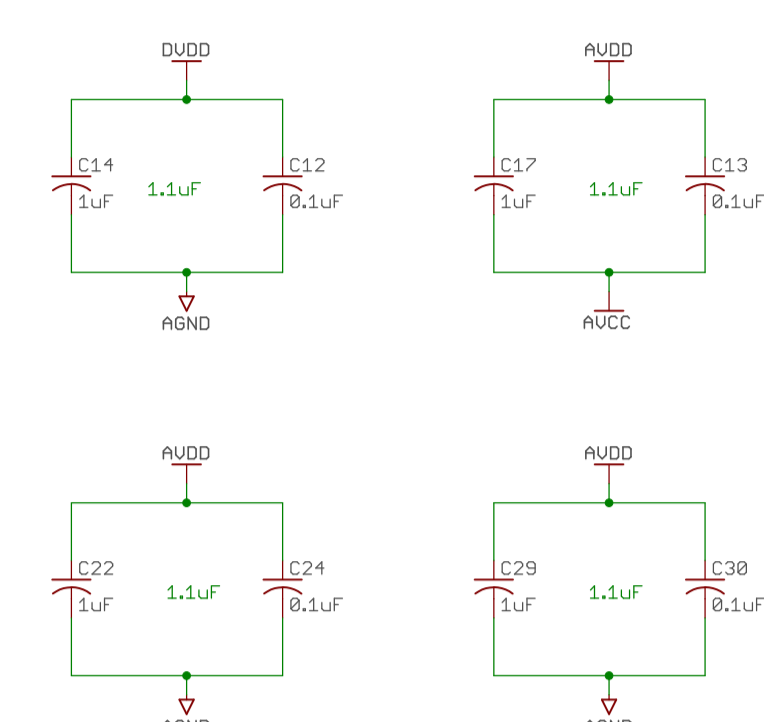
VOLTAGE INVERTER



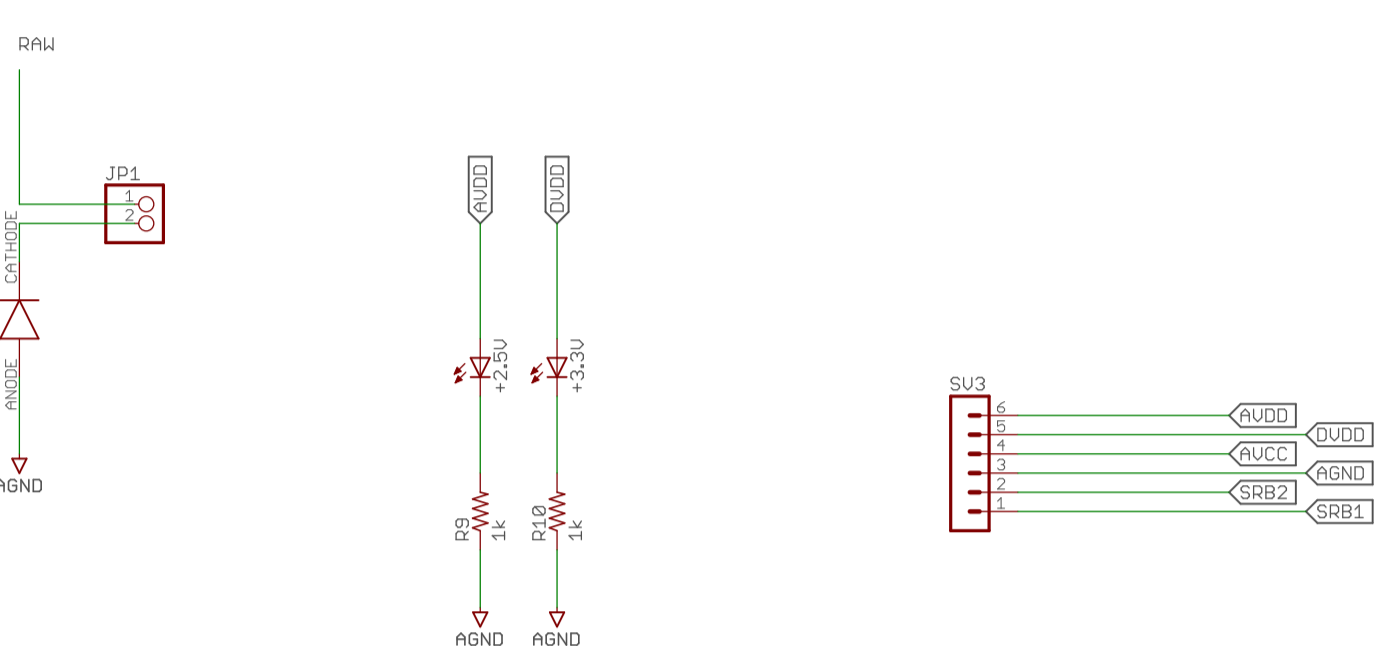
-2.5V REGULATOR



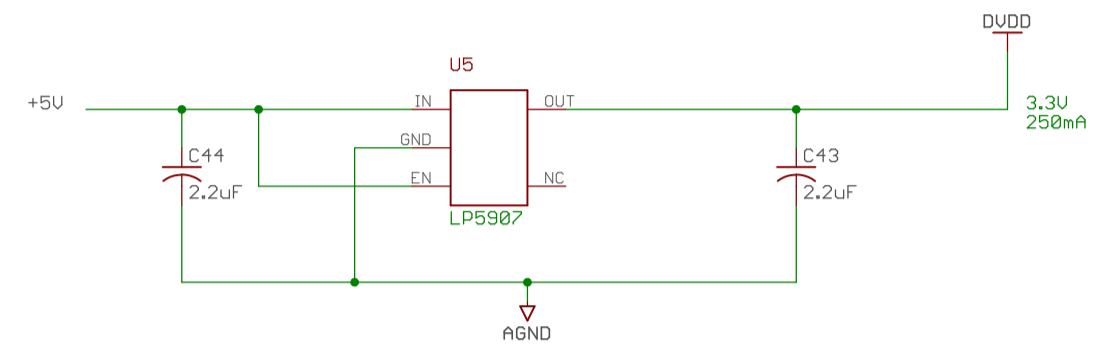
ADS DECOUPLING



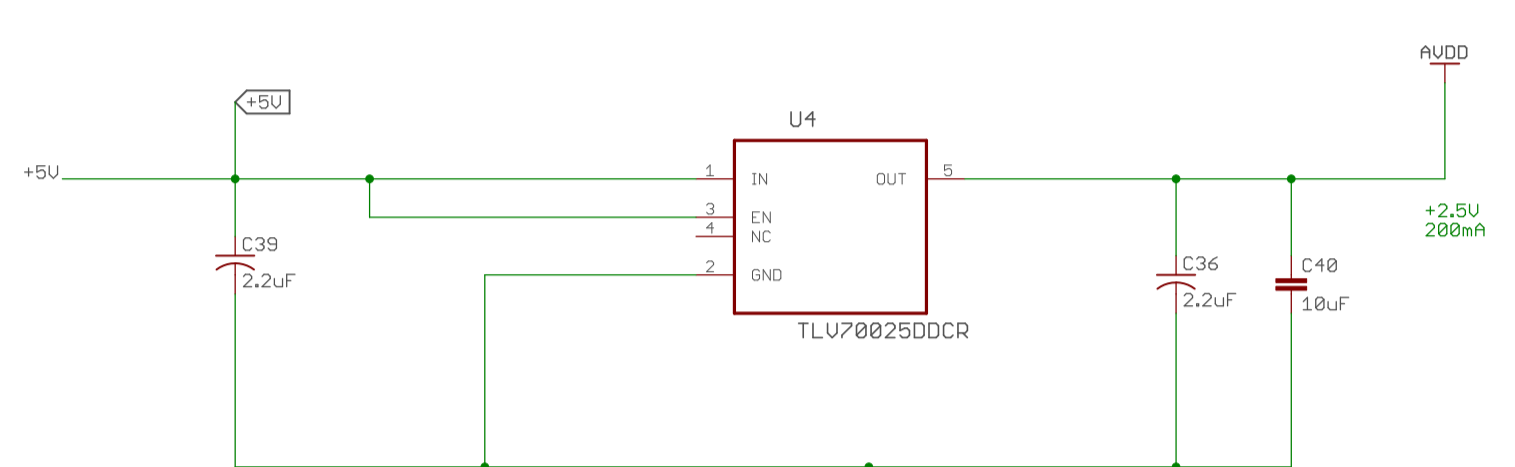
POWER CONNECT



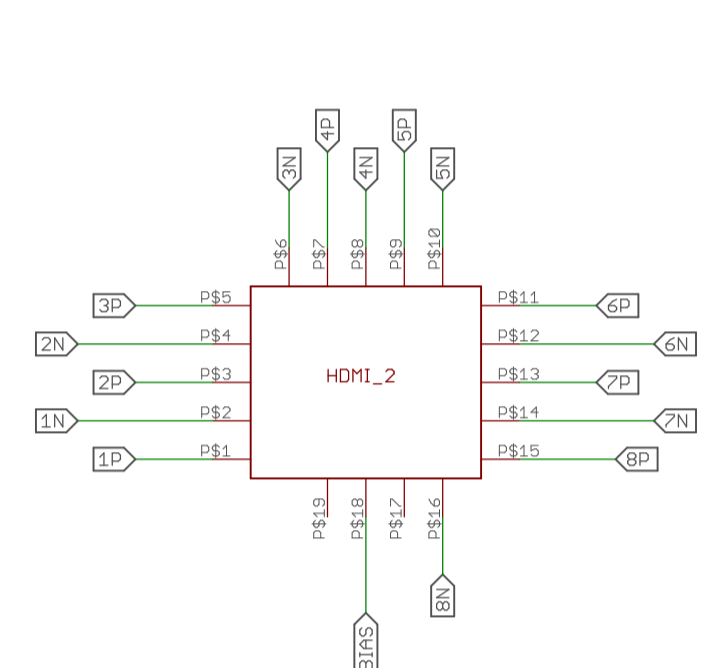
+3V REGULATOR



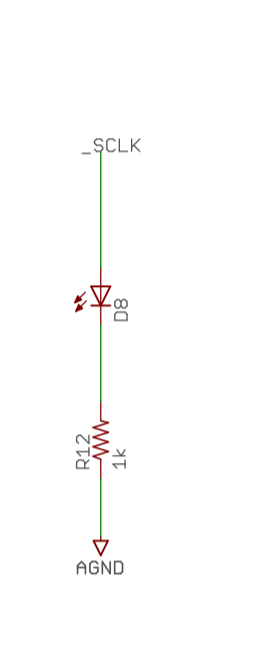
+2.5V REGULATOR



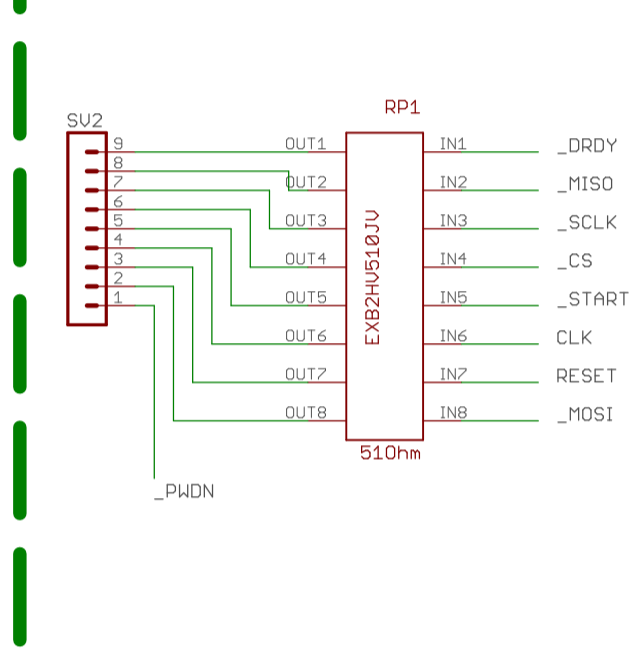
INPUT CONNECTOR



DAISY BUS



SPI



GPIO

ADS1298

