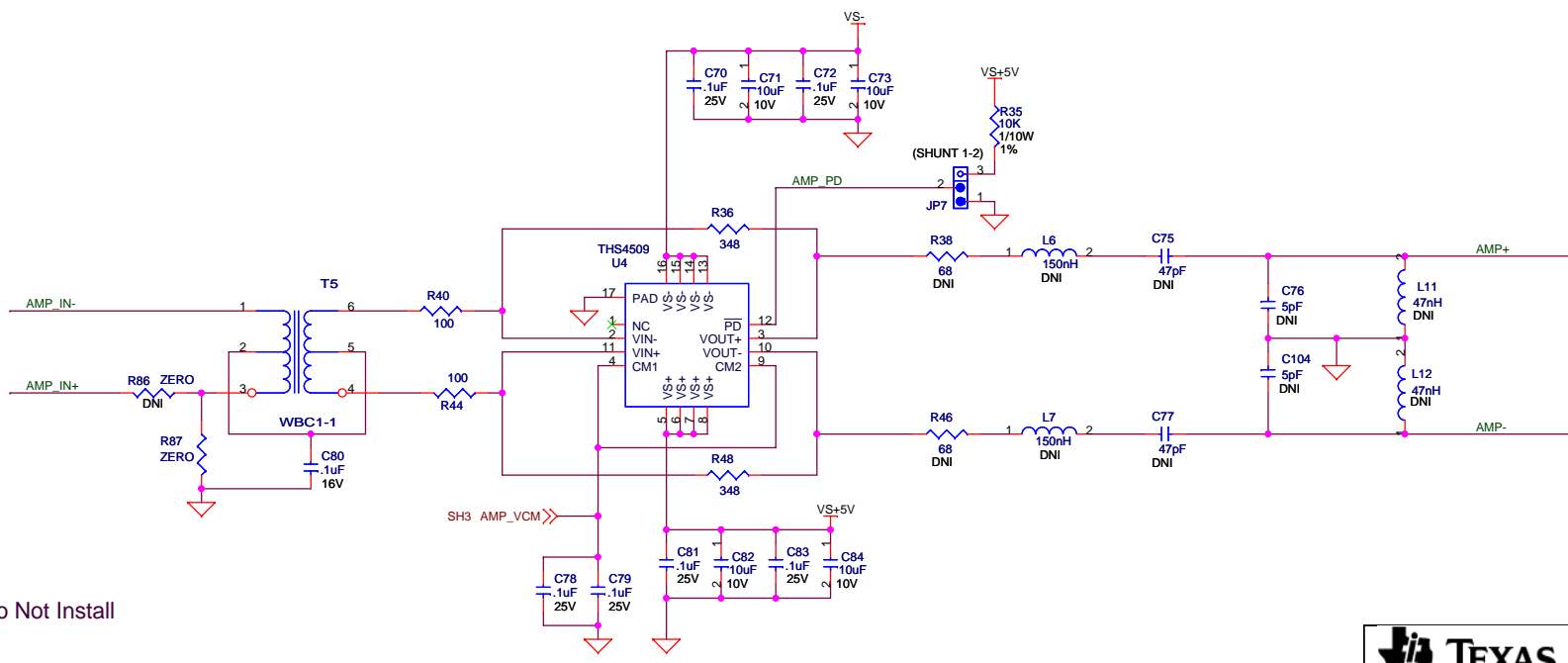


**NOTE 1**

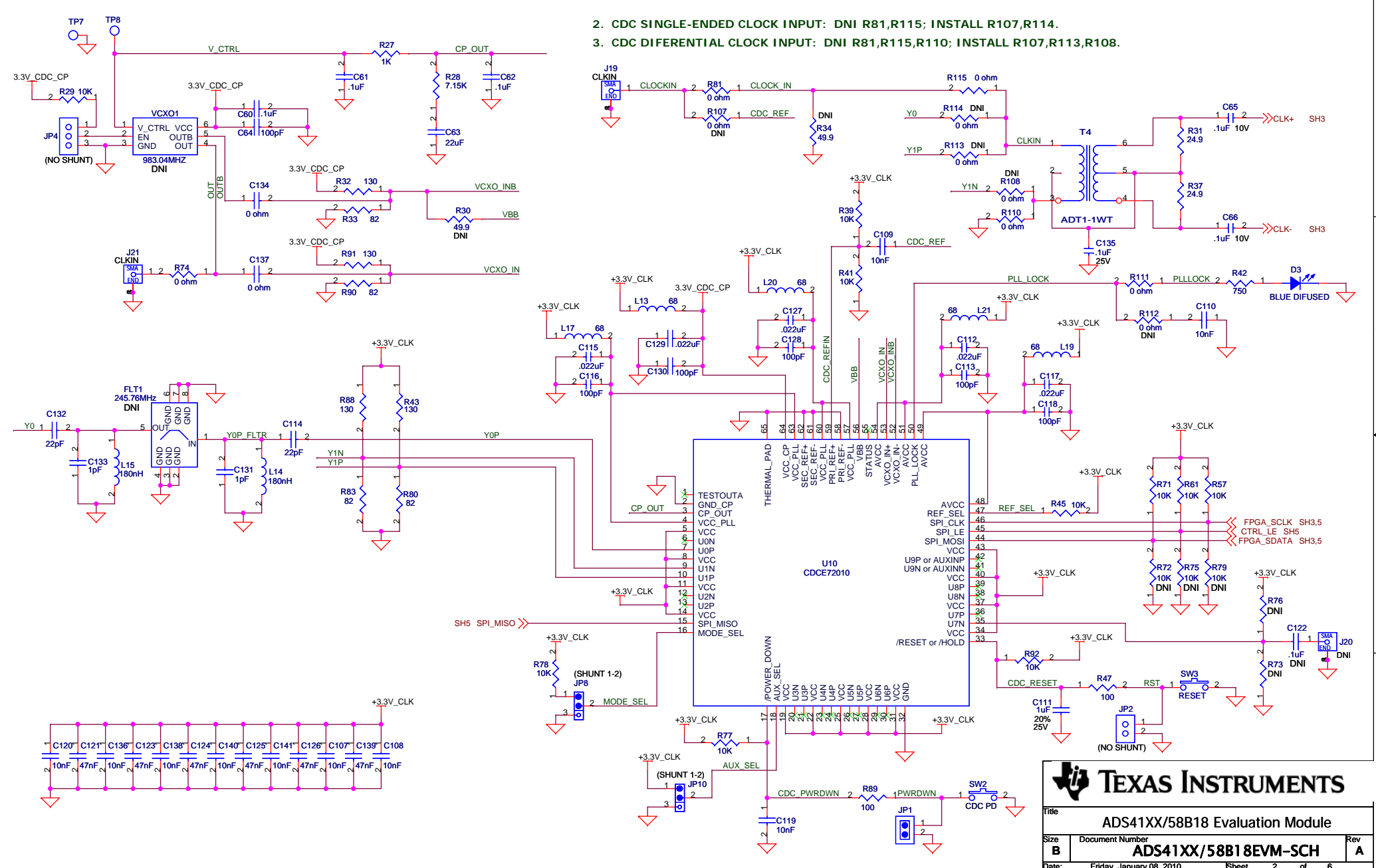
**NOTE 1:**  
DNI for ADS41BXX and ADS58B18



DNI: Do Not Install

**TEXAS INSTRUMENTS**

Title		
ADS41XX/58B18 Evaluation Module		
Size	Document Number	Rev
<b>B</b>	<b>ADS41XX/58B18EVM-SCH</b>	<b>A</b>
Date:	Friday, January 08, 2010	Sheet 1 of 6



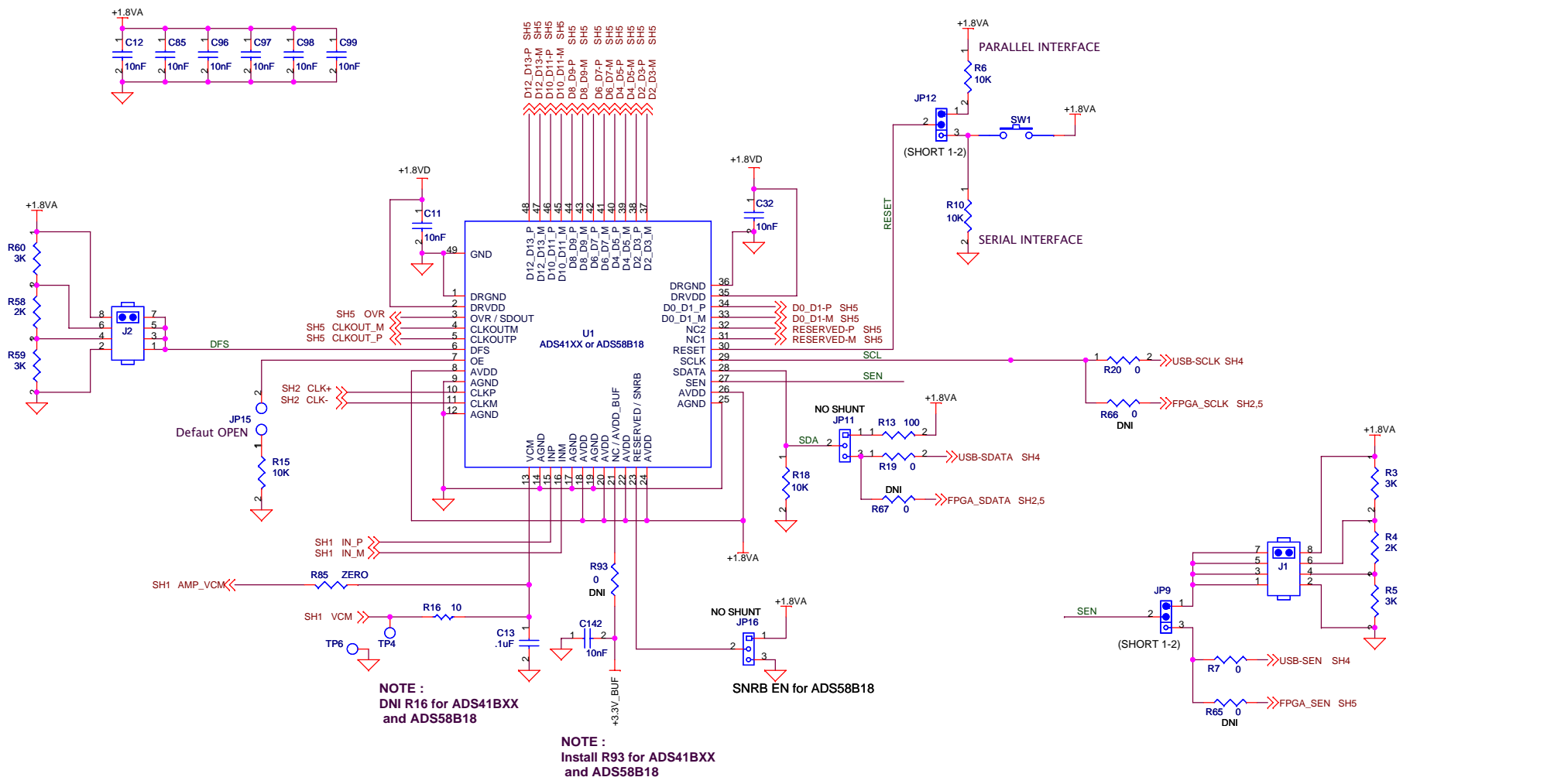
2. CDC SINGLE-ENDED CLOCK INPUT: DNI R81,R115; INSTALL R107,R114.  
 3. CDC DIFERENTIAL CLOCK INPUT: DNI R81,R115,R110; INSTALL R107,R113,R108.

**TEXAS INSTRUMENTS**

Title: ADS41XX/58B18 Evaluation Module

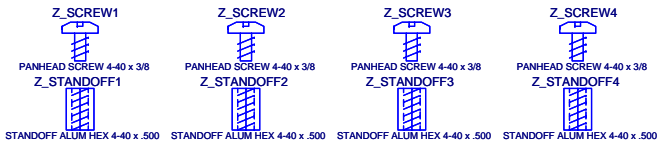
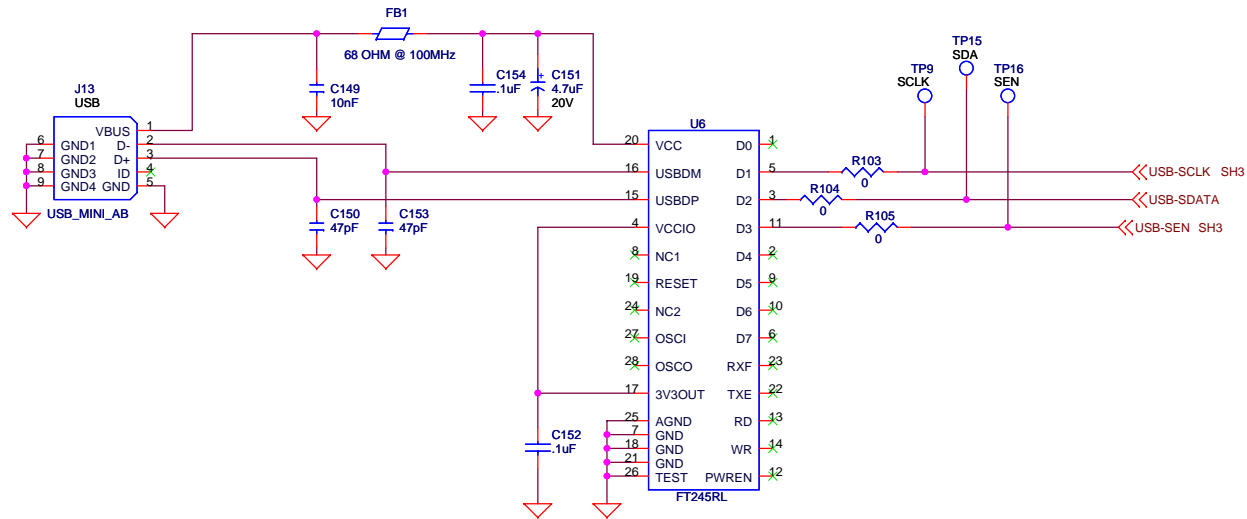
Size B Document Number: ADS41XX/58B18EVM-SCH Rev A

Date: Friday, January 08, 2010 Sheet 2 of 6



**TEXAS INSTRUMENTS**

Title ADS41XX/58B18 Evaluation Module		
Size <b>B</b>	Document Number <b>ADS41XX/58B18EVM-SCH</b>	Rev <b>A</b>
Date: Monday, November 16, 2009	Sheet 3	of 6

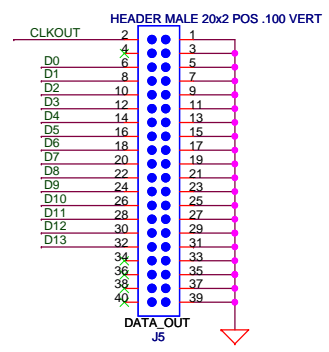
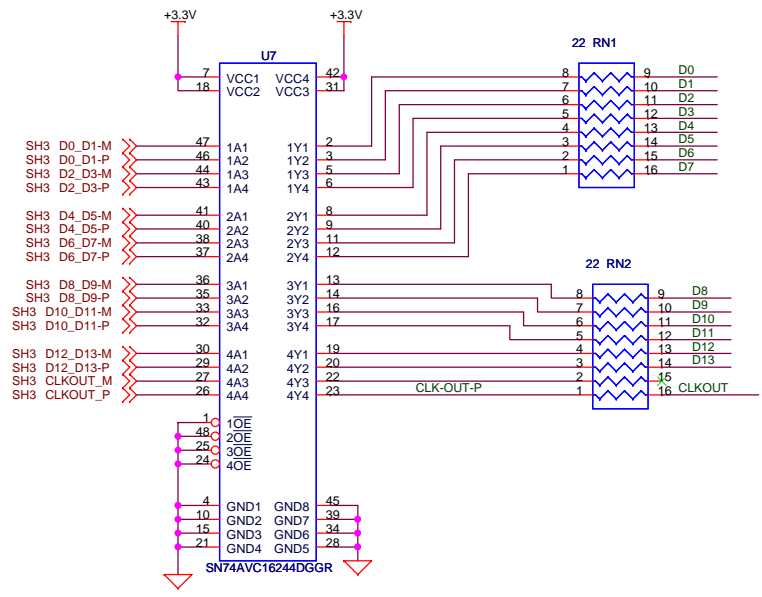
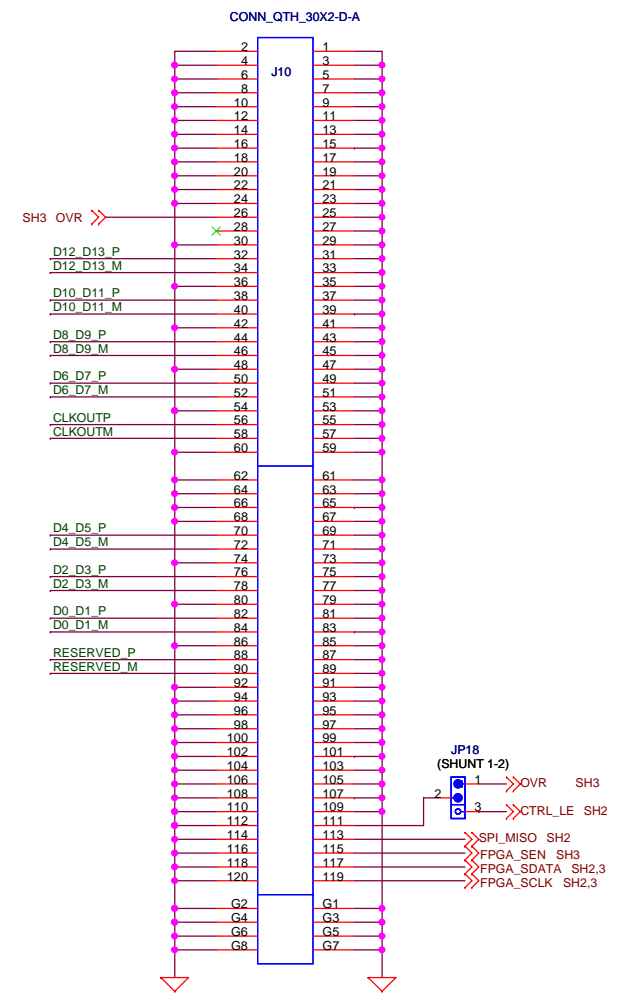
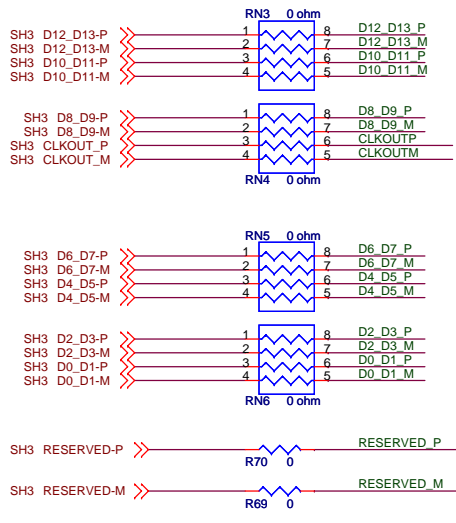
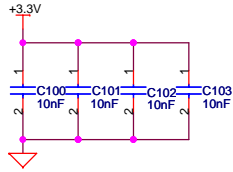


**TEXAS INSTRUMENTS**

Title: ADS41XX/58B18 Evaluation Module

Size: B Document Number: ADS41XX/58B18EVM-SCH Rev: A

Date: Thursday, October 29, 2009 Sheet: 4 of 6

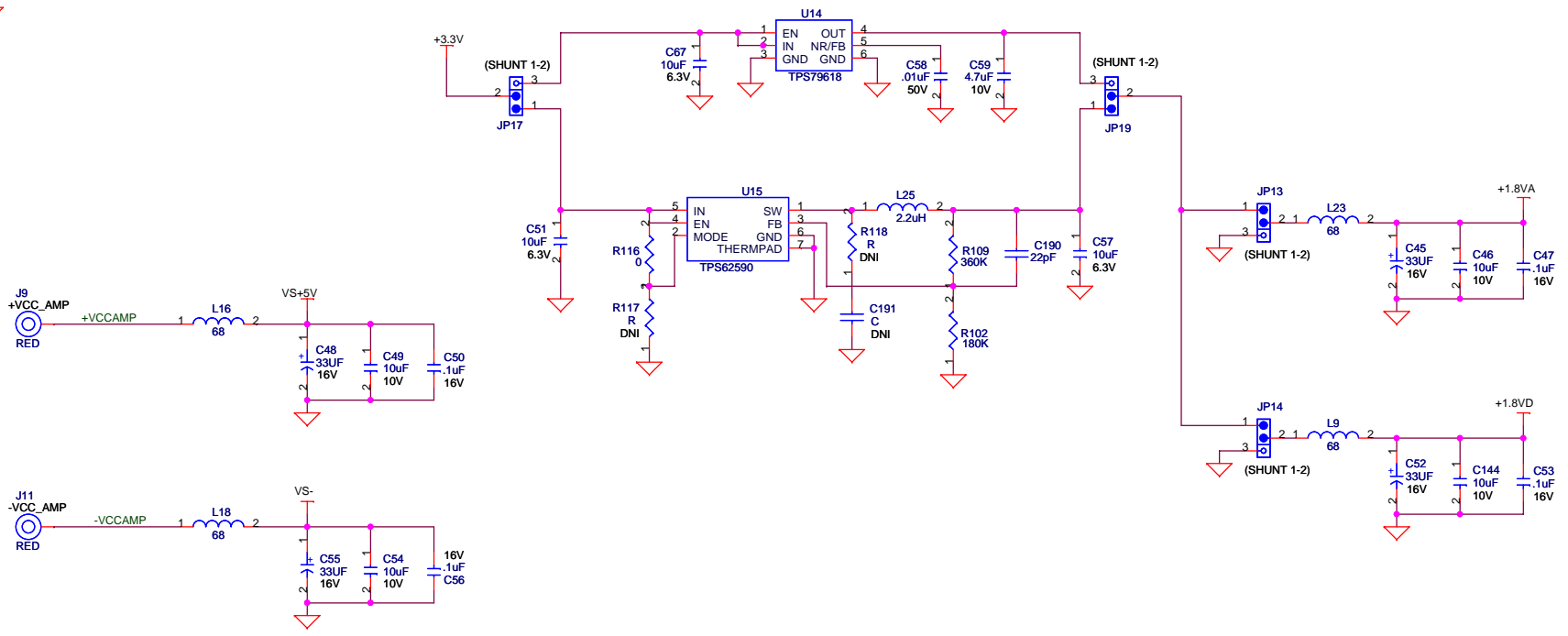
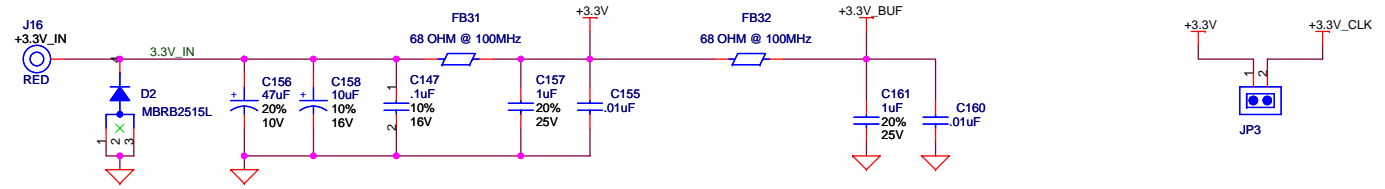


**TEXAS INSTRUMENTS**

Title: **ADS41XX/58B18 Evaluation Module**

Size **B** Document Number **ADS41XX/58B18EVM-SCH** Rev **A**

Date: Saturday, October 31, 2009 Sheet 5 of 6



**TEXAS INSTRUMENTS**

Title ADS41XX/58B18 Evaluation Module		
Size <b>B</b>	Document Number <b>ADS41XX/58B18EVM-SCH</b>	Rev <b>A</b>
Date: Friday, October 30, 2009	Sheet 6	of 6