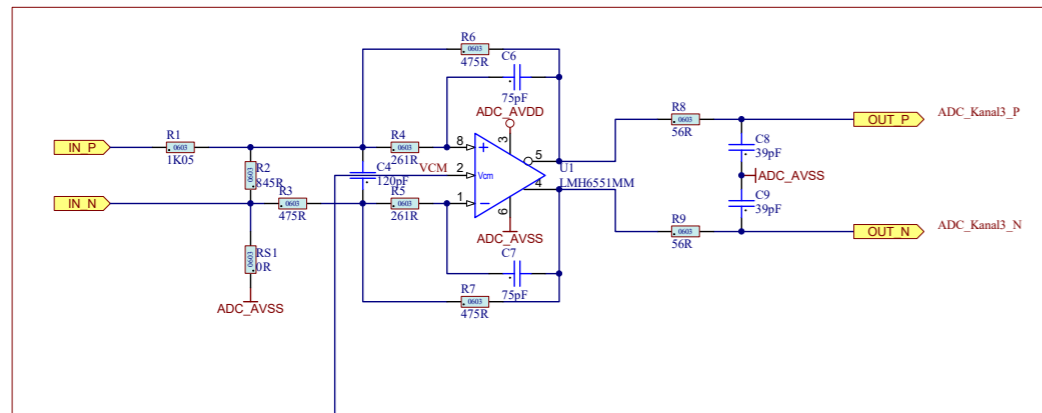
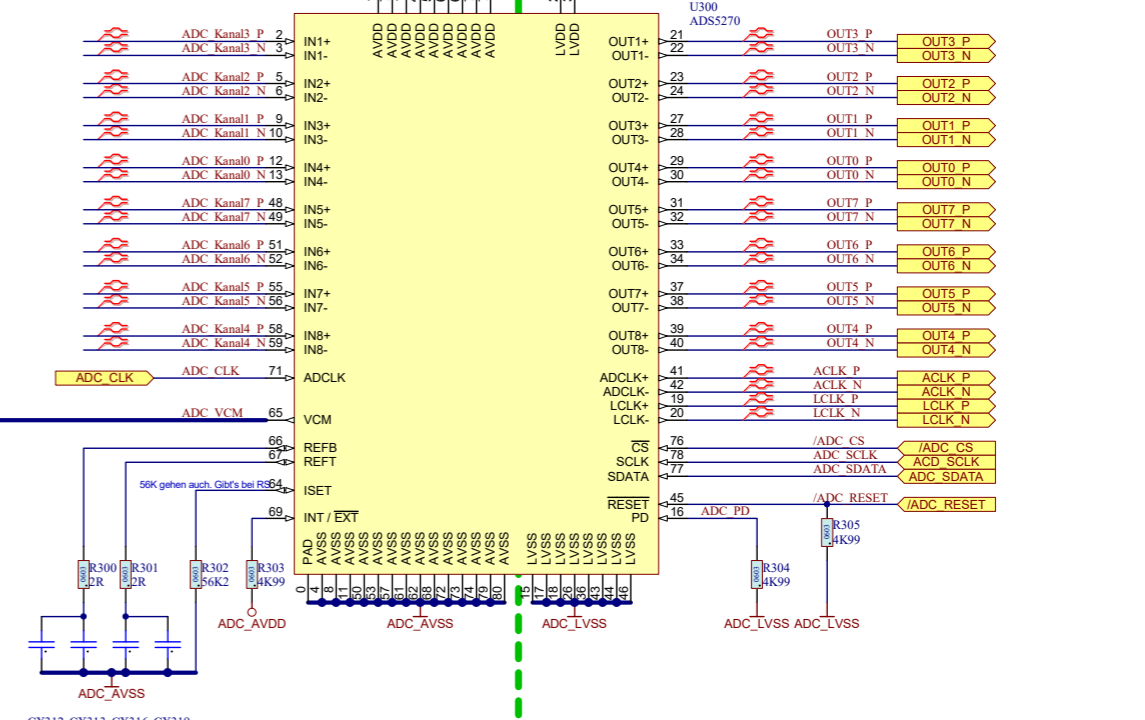
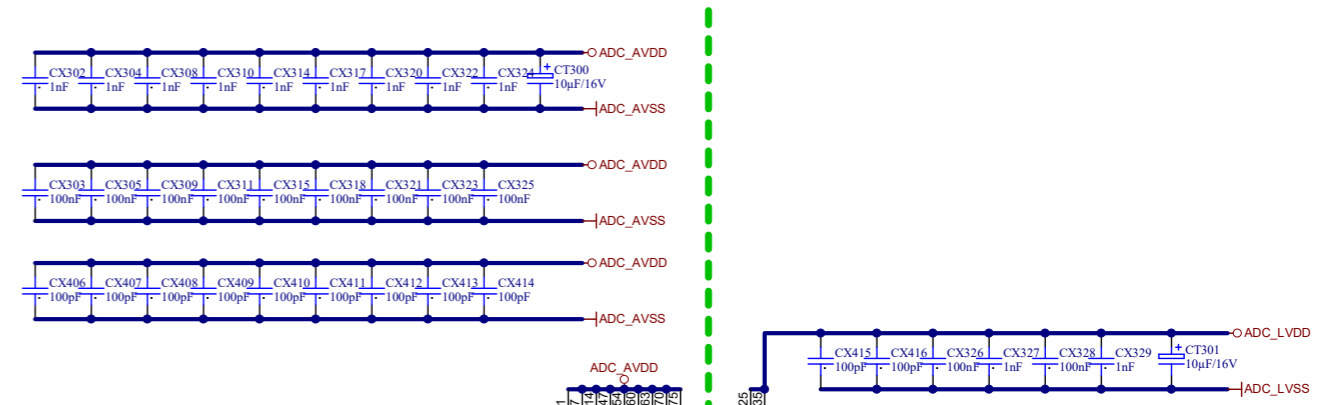
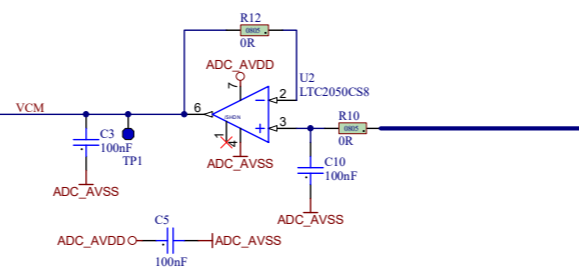


8x Single Ended To Differential



1x VCM Buffer for 8 Channels



Separate Planes für AVDD / AVSS

Separate Planes für LVDD / LVSS