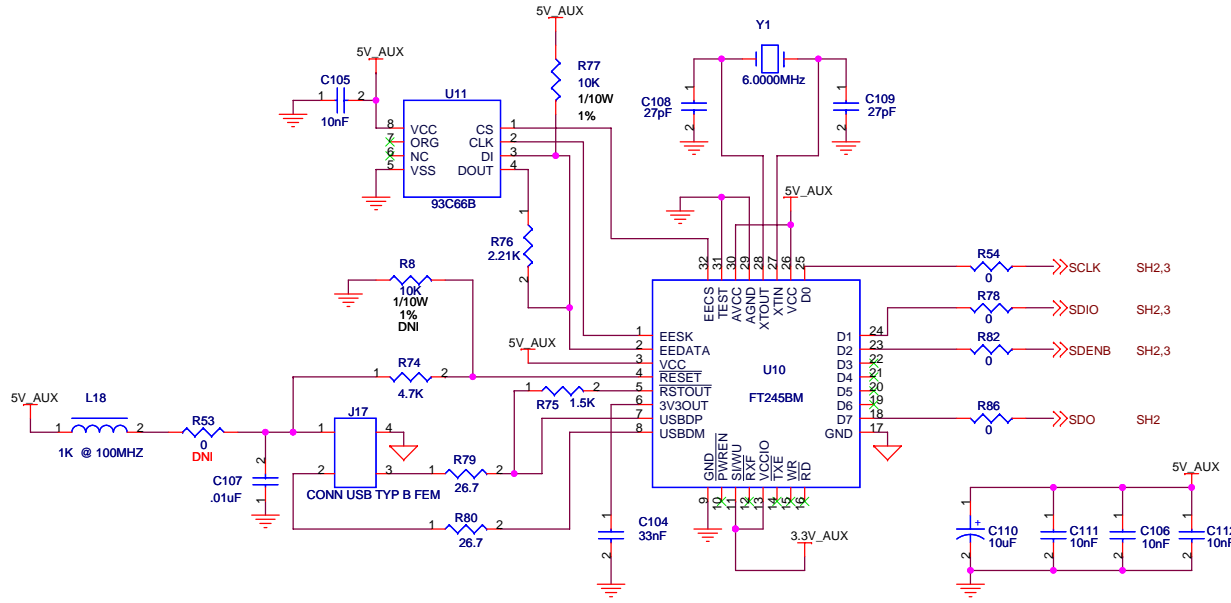
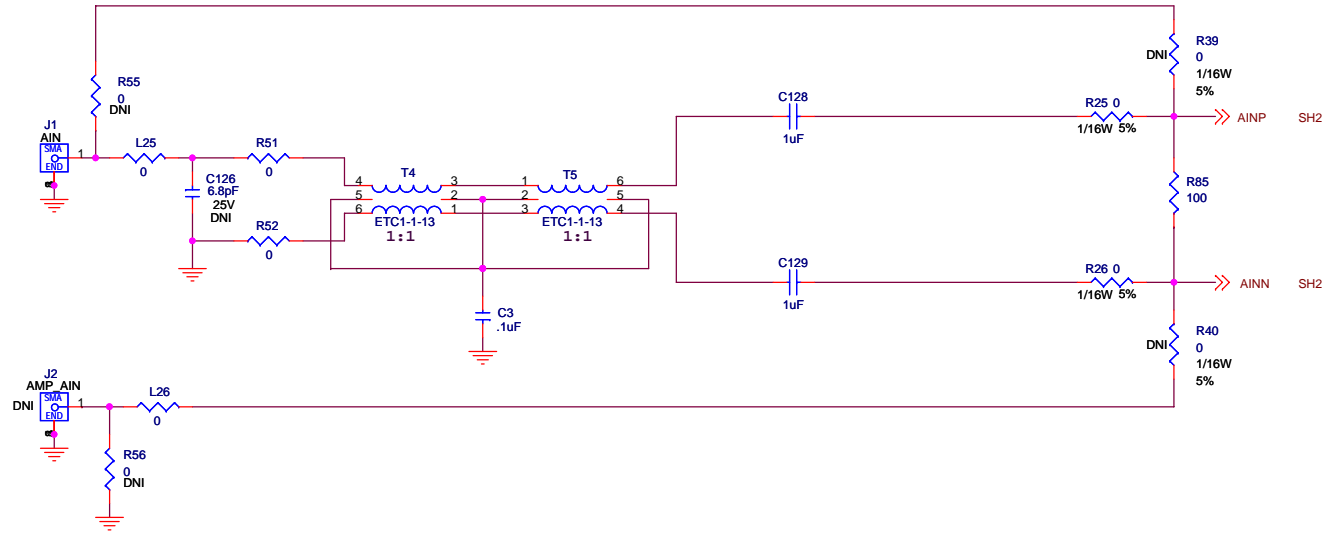

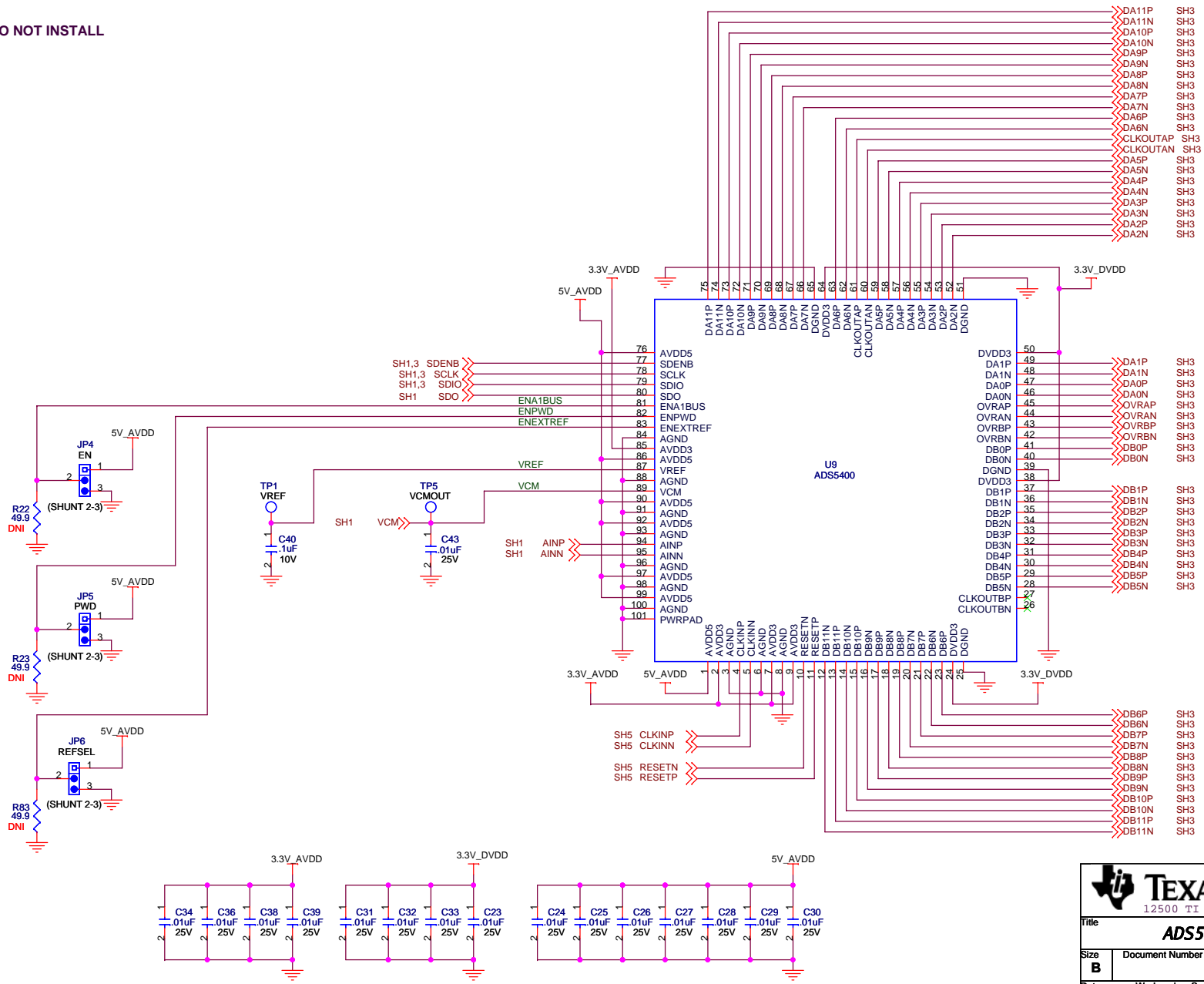


NOTE: DNI = DO NOT INSTALL



 <b>TEXAS INSTRUMENTS</b>		
Title <b>ADS5400 Evaluation Module</b>		
Size <b>B</b>	Document Number	Rev <b>D</b>
<b>ANALOG IN</b>		
Date: Wednesday, September 02, 2009	Sheet	1 of 5

NOTE: DNI = DO NOT INSTALL

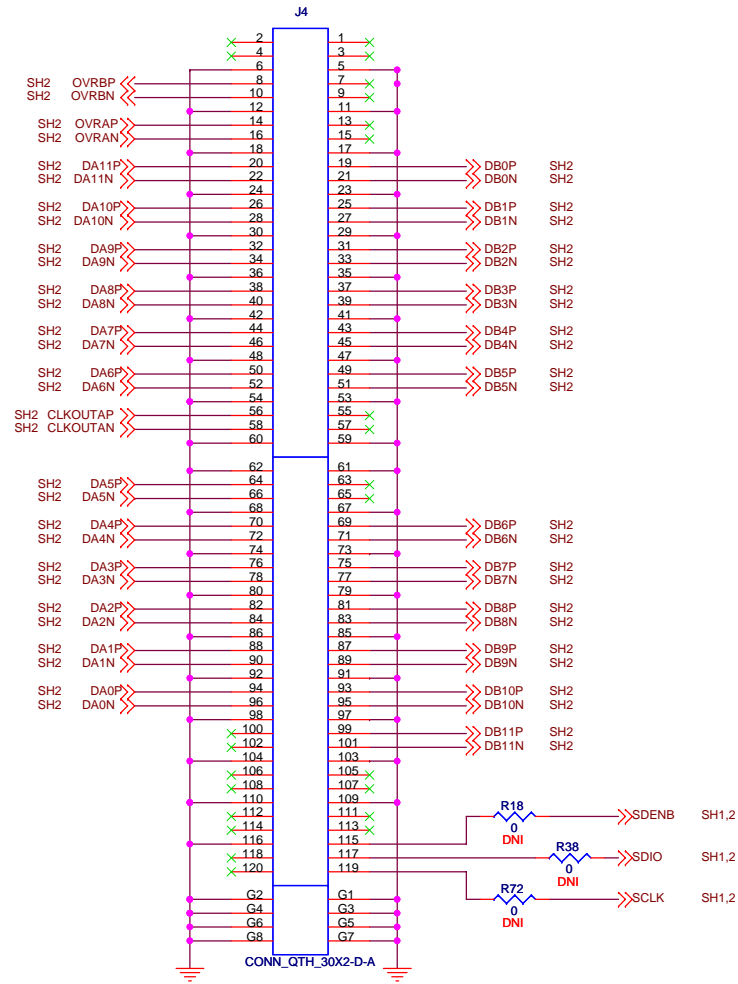


**TEXAS INSTRUMENTS**  
 12500 TI Boulevard, Dallas, Texas 75243

**ADS5400 Evaluation Module**

Title		Rev
Size	Document Number	D
ADC		
Date:	Wednesday, September 02, 2009	Sheet 2 of 5

NOTE: DNI = DO NOT INSTALL



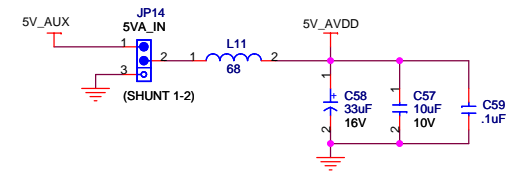
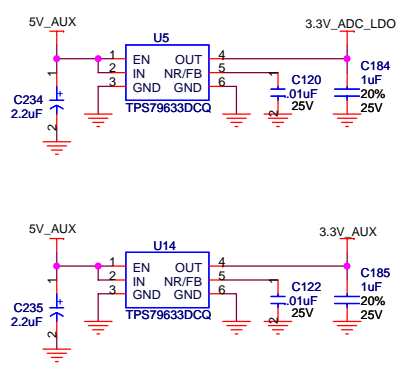
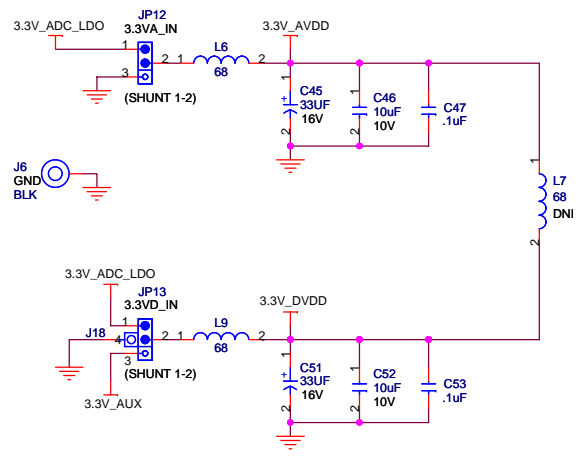
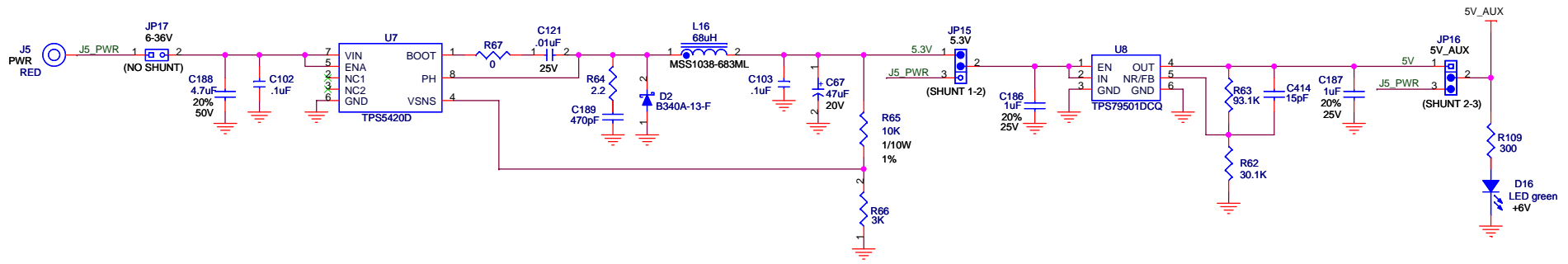
**TEXAS INSTRUMENTS**

Title: **ADS5400 Evaluation Module**

Size: **B** Document Number: **OUTPUT** Rev: **D**

Date: **Wednesday, September 02, 2009** Sheet **3** of **5**

NOTE: DNI = DO NOT INSTALL



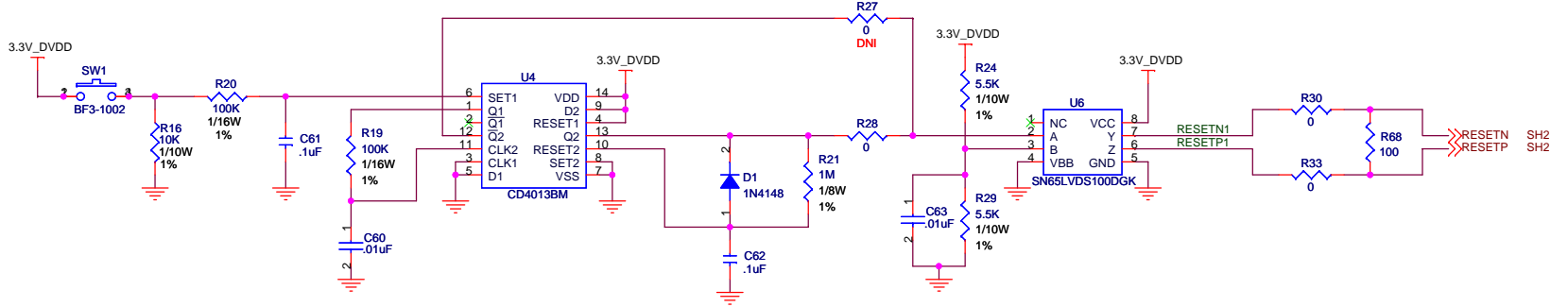
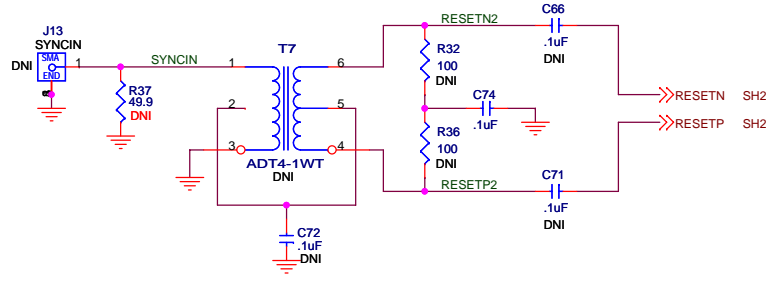
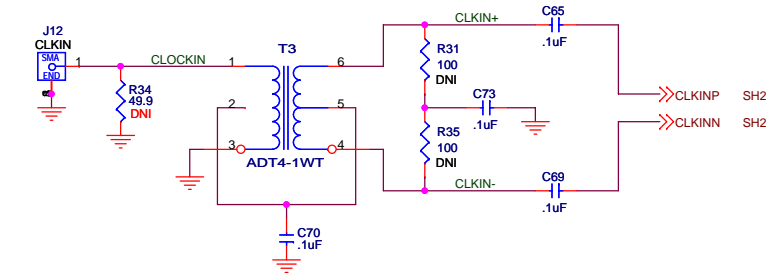
**TEXAS INSTRUMENTS**

Title: **ADS5400 Evaluation Module**





Size: **B** Document Number: **POWER SUPPLIES** Rev: **D**


Date: Wednesday, September 02, 2009 Sheet 4 of 5

NOTE: DNI = DO NOT INSTALL



MECHANICAL PARTS

- Z\_STANDOFF SCREW3  
  
PANHEAD SCREW 4-40 x 3/8  
Z\_STANDOFF3  
STANDOFF ALUM HEX 4-40 x .500
- Z\_STANDOFF SCREW4  
  
PANHEAD SCREW 4-40 x 3/8  
Z\_STANDOFF4  
STANDOFF ALUM HEX 4-40 x .500
- Z\_STANDOFF SCREW1  
  
PANHEAD SCREW 4-40 x 3/8  
Z\_STANDOFF1  
STANDOFF ALUM HEX 4-40 x .500
- Z\_STANDOFF SCREW2  
  
PANHEAD SCREW 4-40 x 3/8  
Z\_STANDOFF2  
STANDOFF ALUM HEX 4-40 x .500



## TEXAS INSTRUMENTS

Title: **ADS5400 Evaluation Module**

Size: **B** Document Number: **CLOCK IN** Rev: **D**

Date: Wednesday, September 02, 2009 Sheet 5 of 5