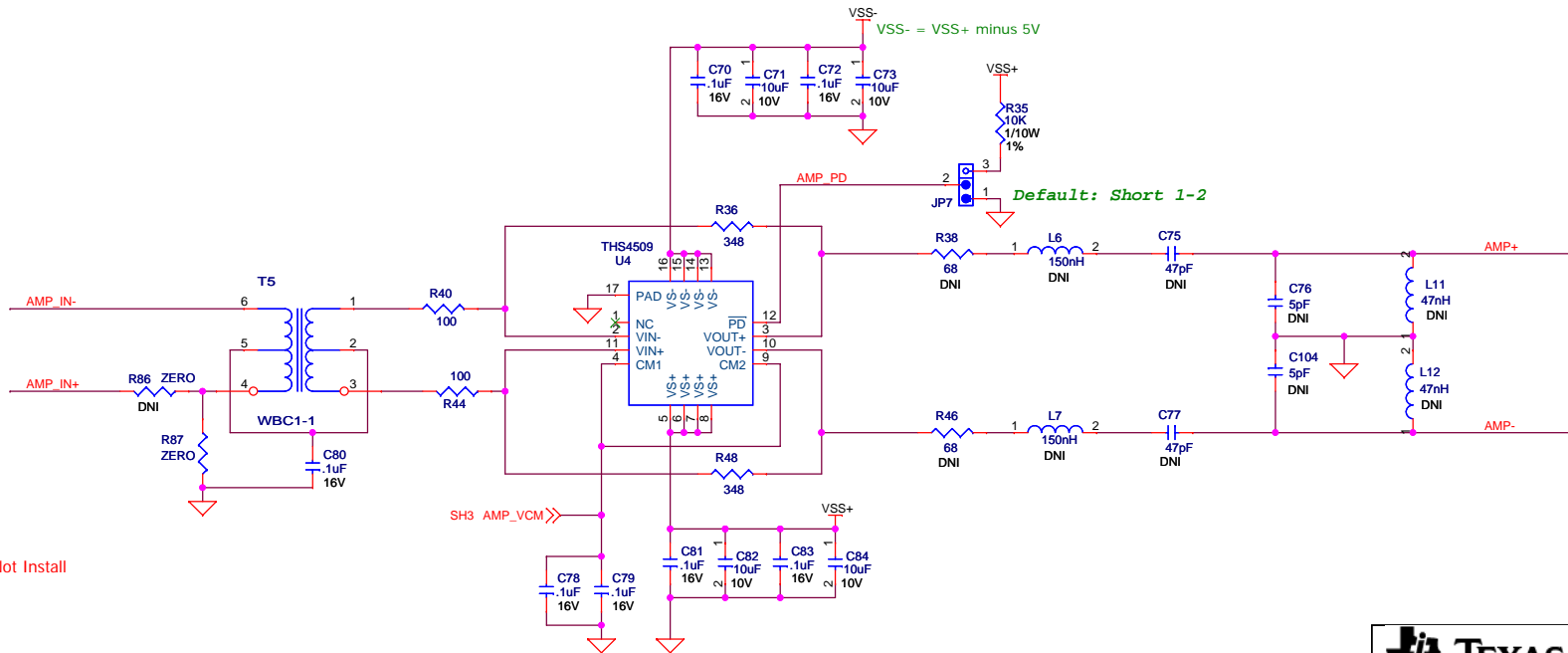


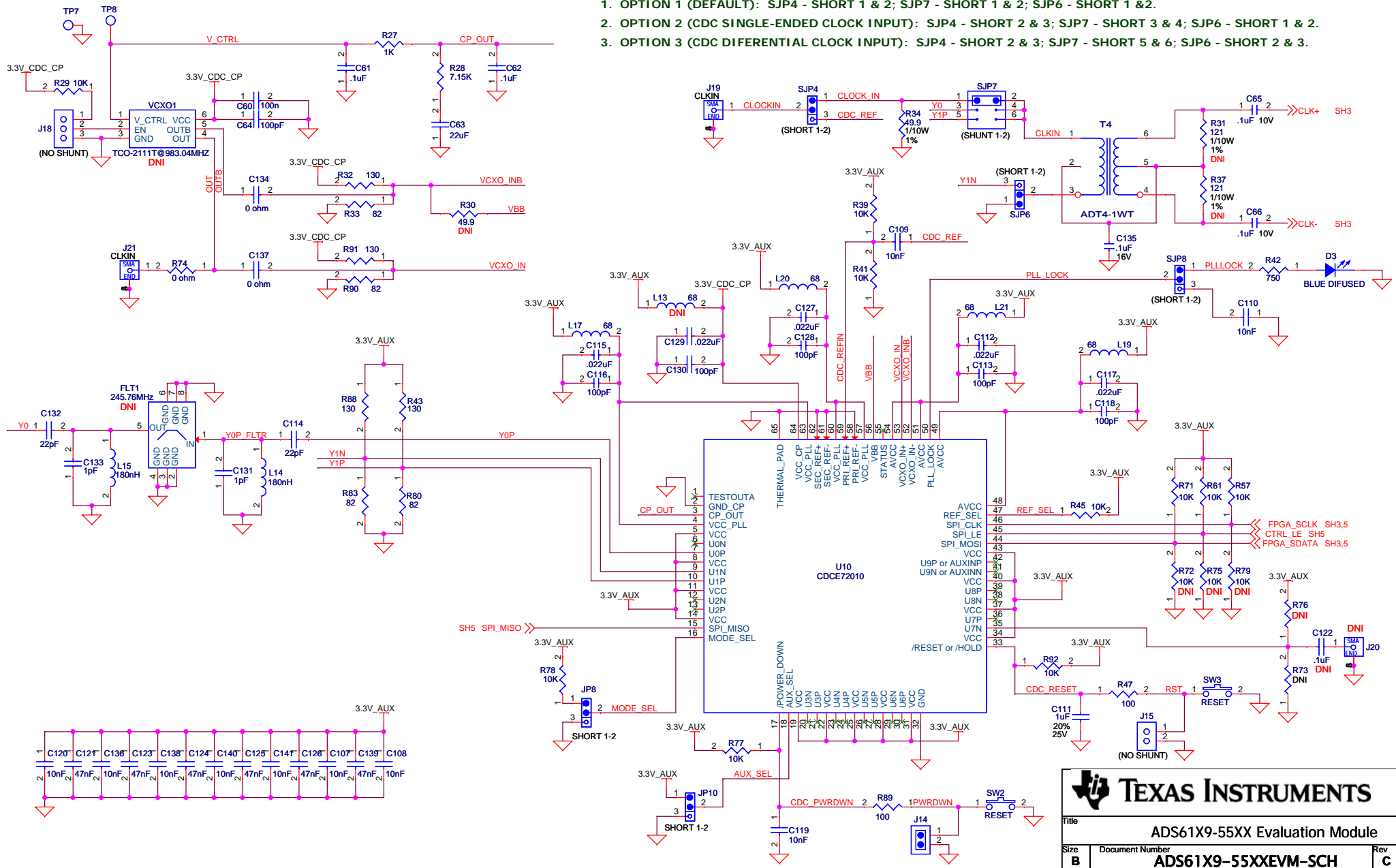
DNI: Do Not Install



TEXAS INSTRUMENTS

Title		
ADS61X9-55XX Evaluation Module		
Size	Document Number	Rev
B	ADS61X9-55XXEVM-SCH	C
Date:	Monday, April 18, 2011	Sheet 1 of 6

1. OPTION 1 (DEFAULT): SJP4 - SHORT 1 & 2; SJP7 - SHORT 1 & 2; SJP6 - SHORT 1 & 2.
2. OPTION 2 (CDC SINGLE-ENDED CLOCK INPUT): SJP4 - SHORT 2 & 3; SJP7 - SHORT 3 & 4; SJP6 - SHORT 1 & 2.
3. OPTION 3 (CDC DIFERENTIAL CLOCK INPUT): SJP4 - SHORT 2 & 3; SJP7 - SHORT 5 & 6; SJP6 - SHORT 2 & 3.

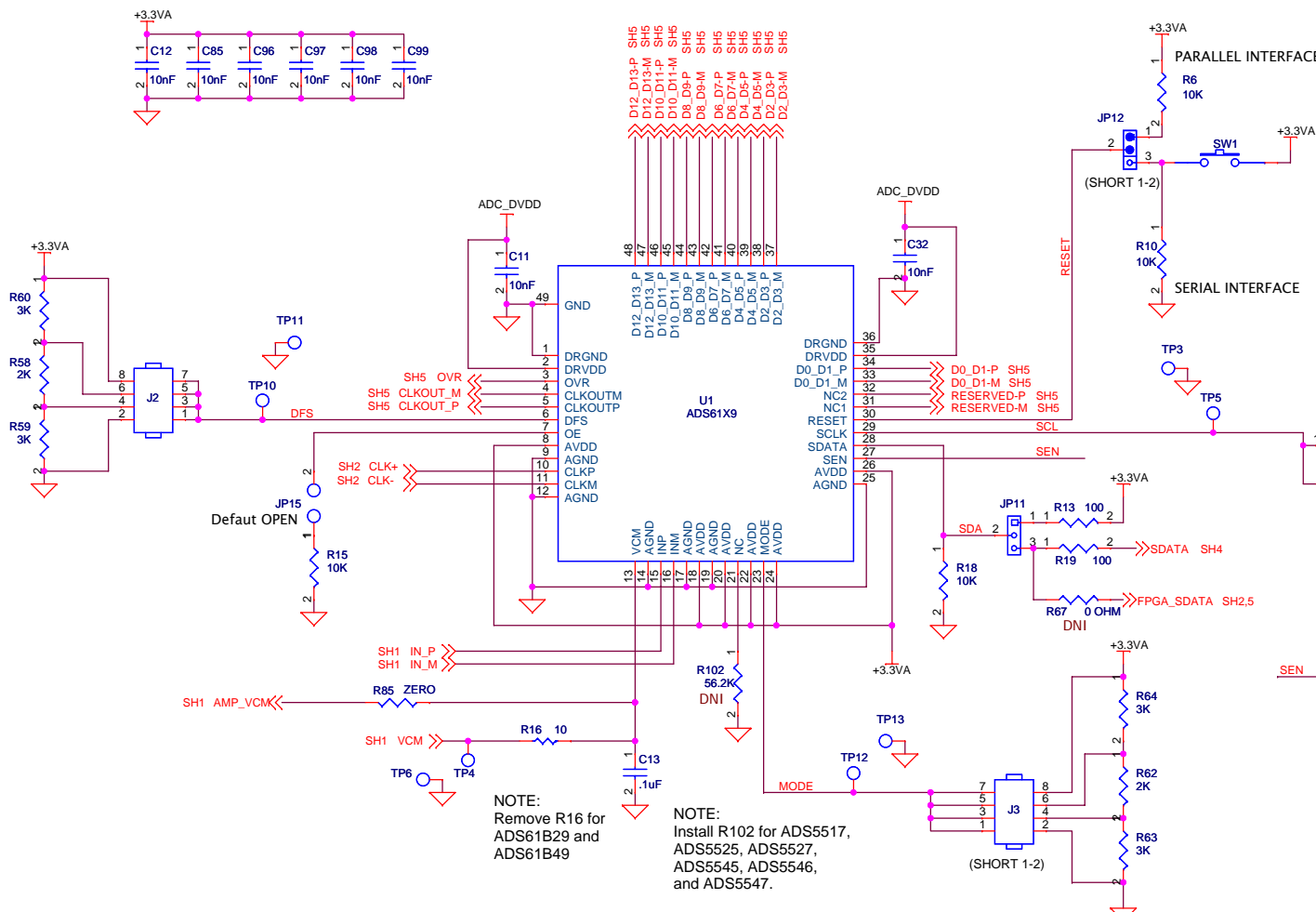


TEXAS INSTRUMENTS

Title: **ADS61X9-55XX Evaluation Module**

Size: **B** Document Number: **ADS61X9-55XXEVM-SCH** Rev: **C**

Date: Monday, April 18, 2011 Sheet 2 of 6



NOTE:
Remove R16 for
ADS61B29 and
ADS61B49

NOTE:
Install R102 for ADS5517,
ADS5525, ADS5527,
ADS5545, ADS5546,
and ADS5547.

U1 is compatible with:

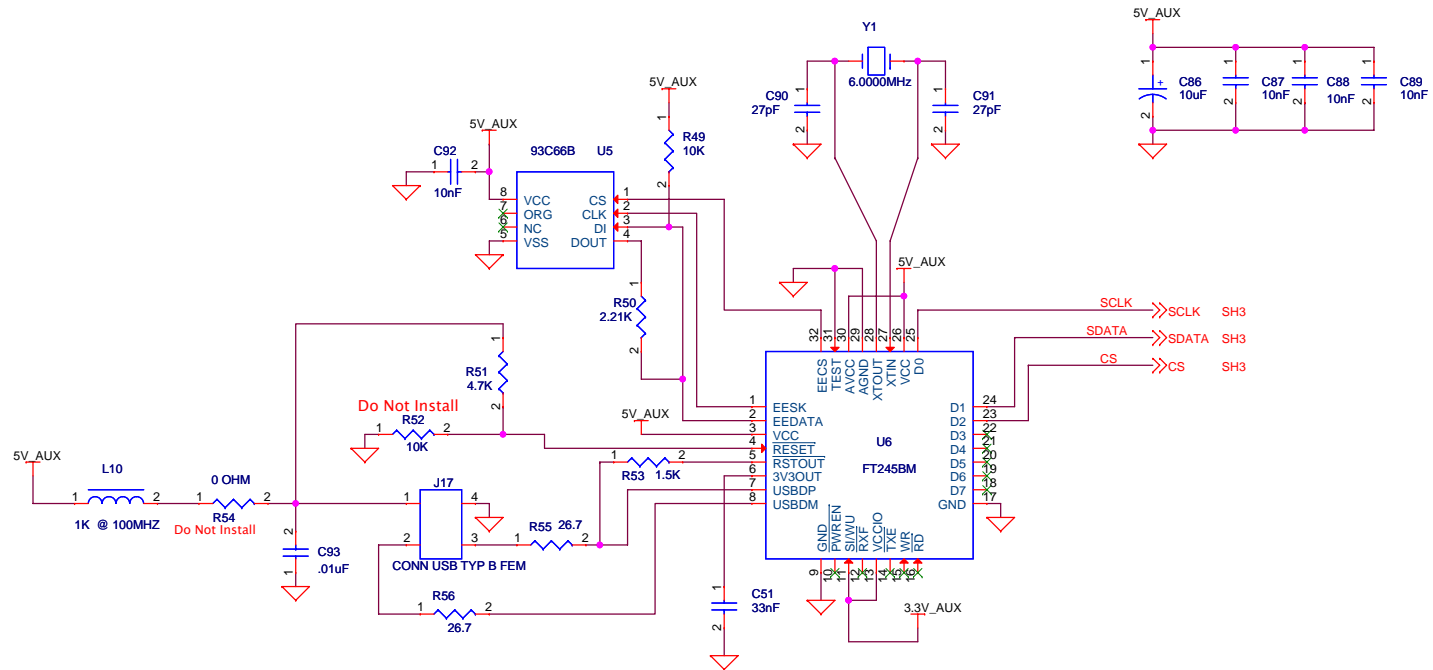
ADC	RESOLUTION	SPEED
ADS6149	14BITS	250MSPS
ADS6129	12BITS	250MSPS
ADS6148	14BITS	210MSPS
ADS6128	12BITS	210MSPS
ADS61B49	14BITS	250MSPS
ADS61B29	12BITS	250MSPS
ADS5560	16BITS	40MSPS
ADS5562	16BITS	80MSPS
ADS5517	11BITS	200MSPS
ADS5525	12BITS	170MSPS
ADS5527	12BITS	210MSPS
ADS5545	14BITS	170MSPS
ADS5546	14BITS	190MSPS
ADS5547	14BITS	210MSPS

TEXAS INSTRUMENTS

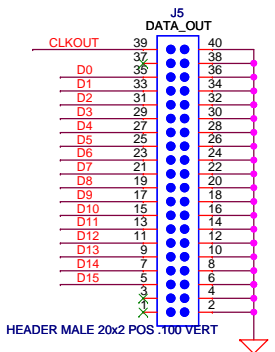
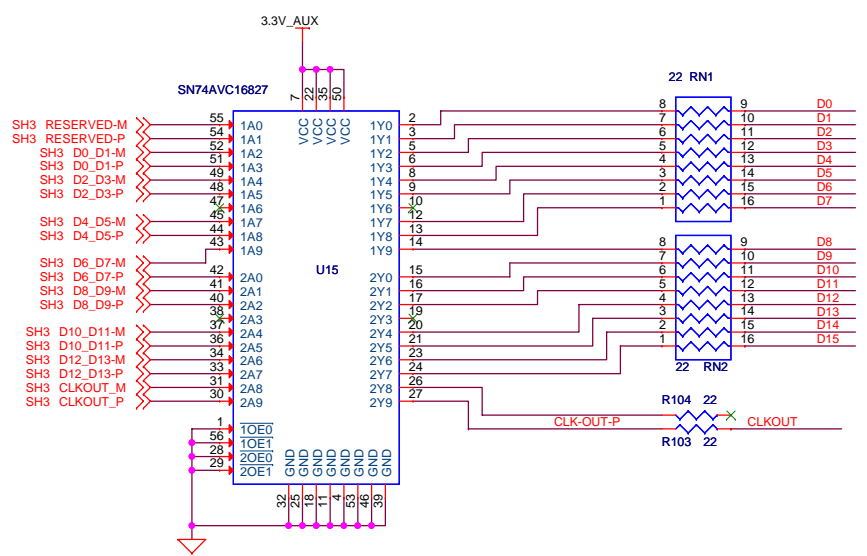
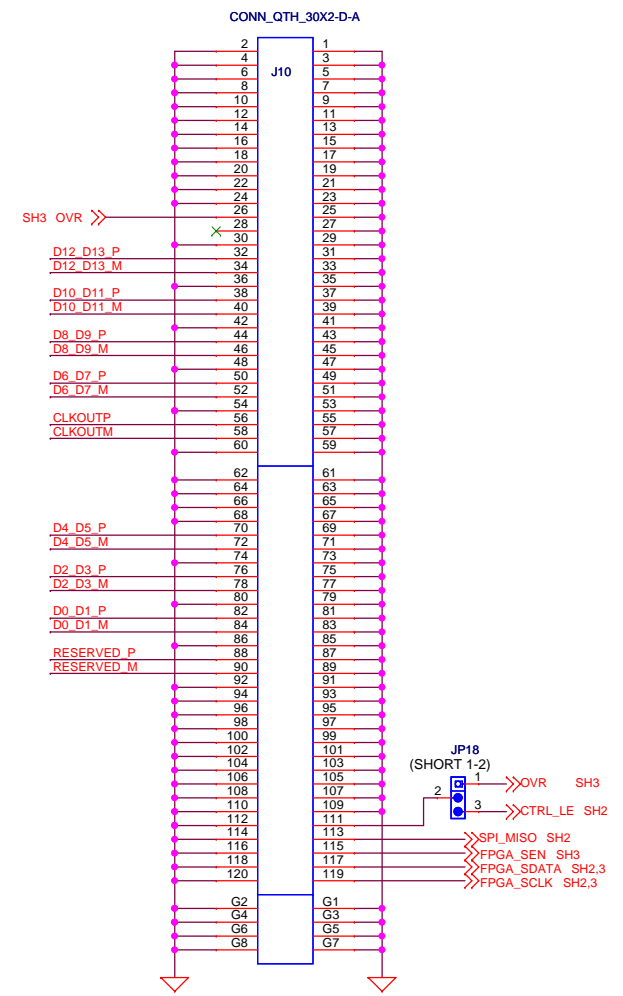
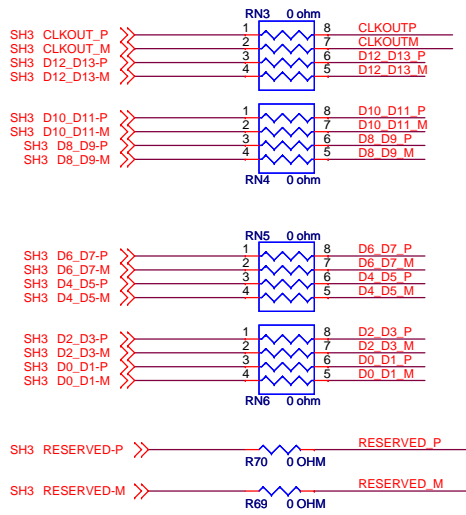
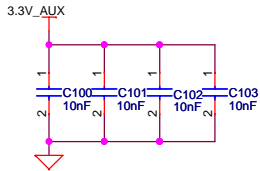
Title: **ADS61X9-55XX Evaluation Module**

Size **B** Document Number **ADS61X9-55XXEVM-SCH** Rev **C**

Date: **Monday, April 18, 2011** Sheet **3** of **6**



Title		
ADS61X9-55XX Evaluation Module		
Size	Document Number	Rev
B	ADS61X9-55XXEVM-SCH	C
Date:	Monday, April 18, 2011	Sheet 4 of 6

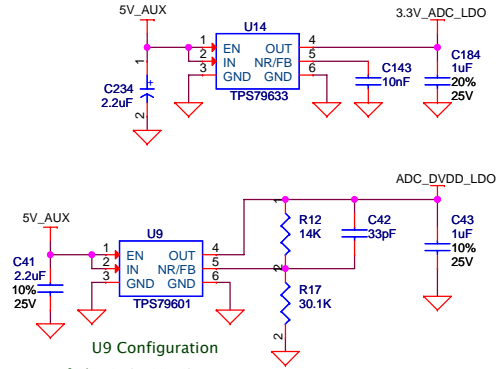
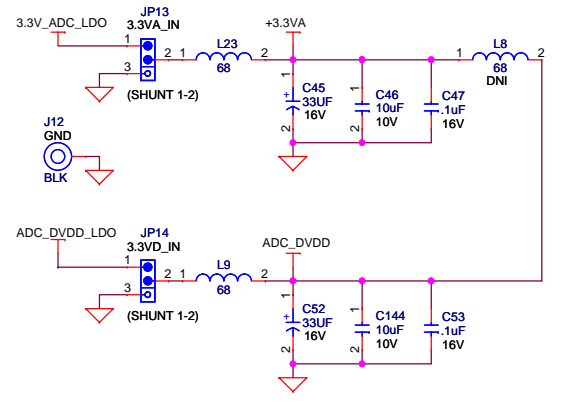
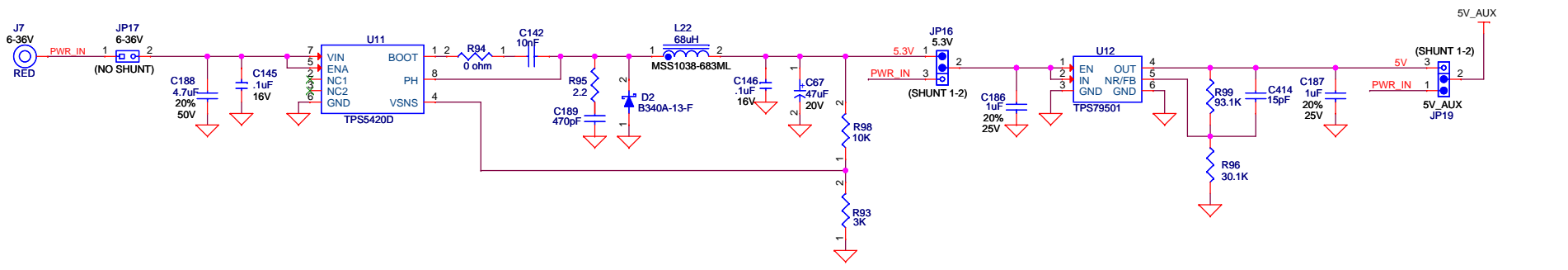


TEXAS INSTRUMENTS

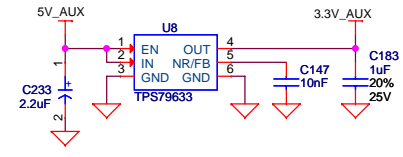
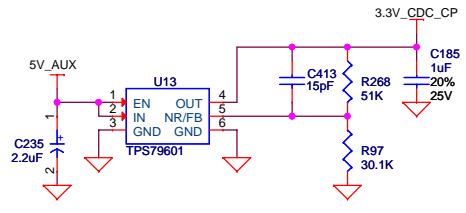
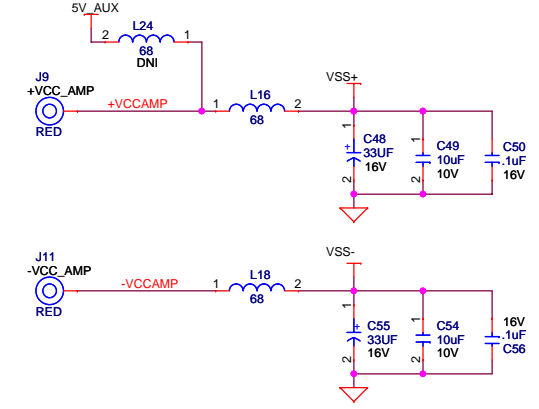
Title: ADS61X9-55XX Evaluation Module

Size B Document Number: ADS61X9-55XXEVM-SCH Rev C

Date: Thursday, April 21, 2011 Sheet 5 of 6



U9 Configuration
 Default 1.8V (ADS61X9)
 For 3.3V (ADS55XX): R12 = 51K
 C42 = 16pF



TEXAS INSTRUMENTS

Title		
ADS61X9-55XX Evaluation Module		
Size	Document Number	Rev
B	ADS61X9-55XXEVM-SCH	C
Date:	Monday, April 18, 2011	Sheet 6 of 6