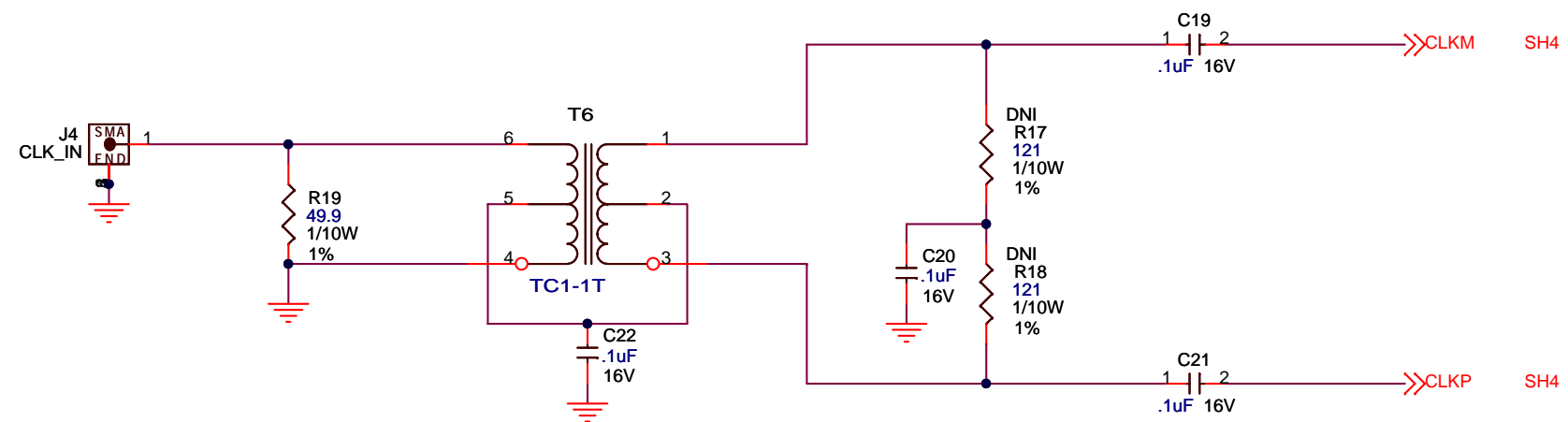


NOTE: 1) INSTALLED FOR FUTURE UPGRADE COMPATIBILITY  
 2) 25.5 OHMS FOR FUTURE UPGRADE COMPATIBILITY  
 3) 15 OHMS FOR FUTURE UPGRADE COMPATIBILITY  
 4) INSTALLED FOR FUTURE UPGRADE COMPATIBILITY









**TEXAS INSTRUMENTS**


Title: **ADS62PXX EVM**

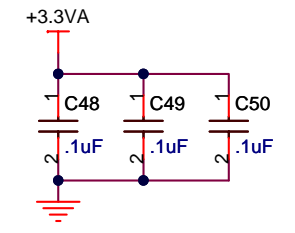
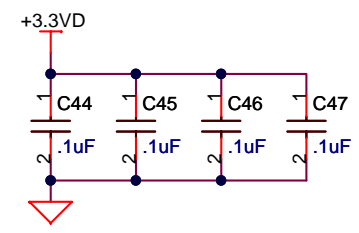
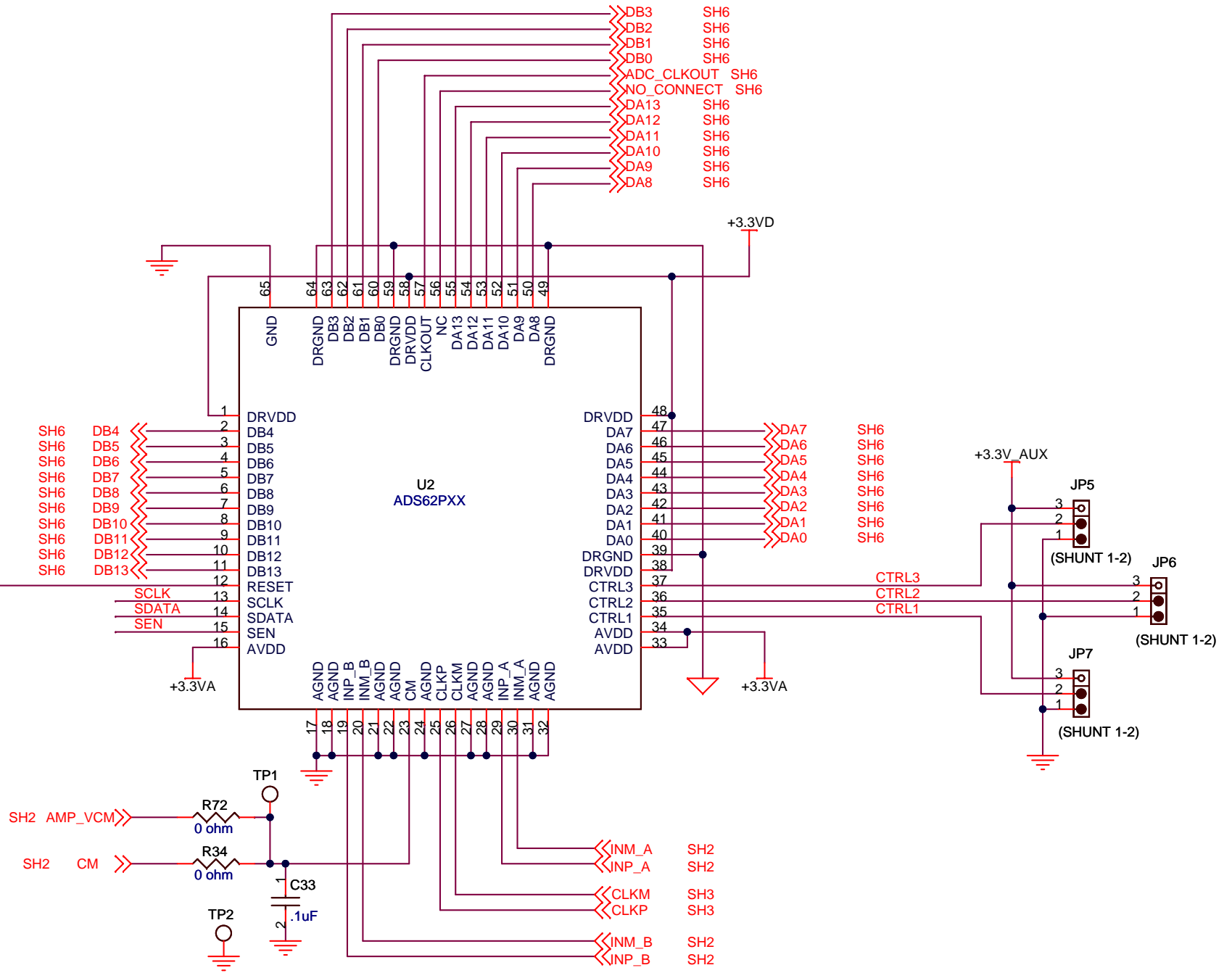
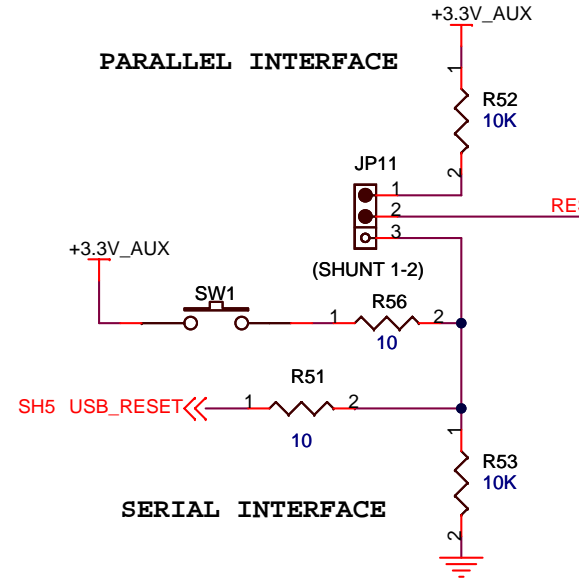
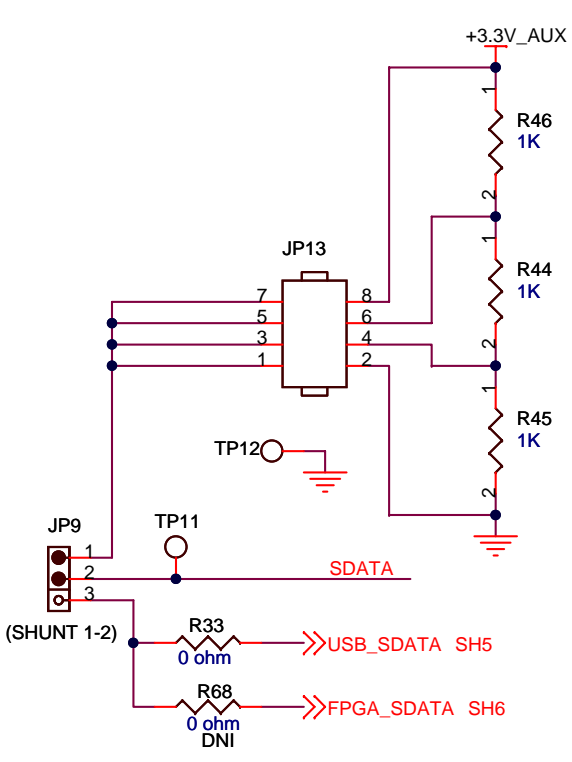
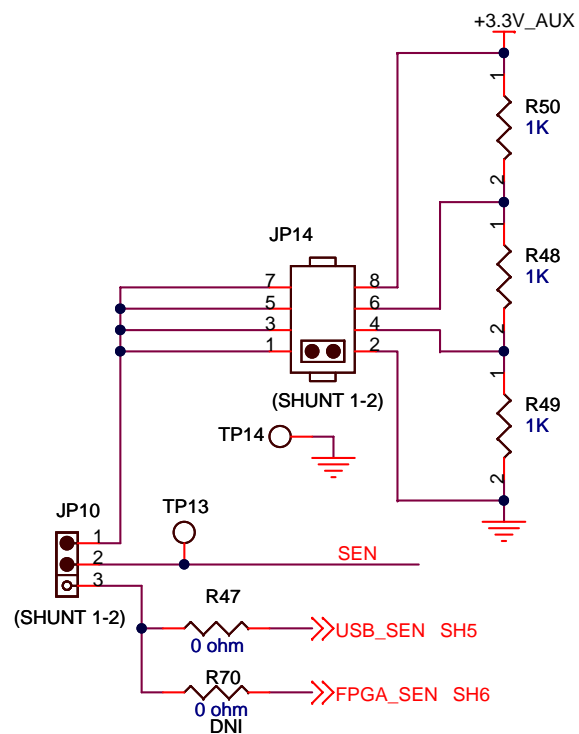
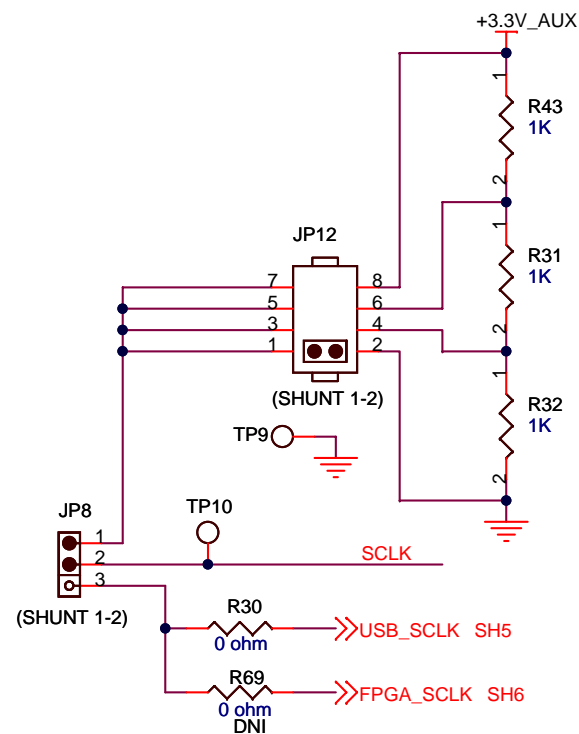
Size: <b>B</b>	Document Number: <b>ADS62PXX EVM-SCH</b>	Rev: <b>B</b>
Date: Friday, November 02, 2007	Sheet: 2 of 6	



### MECHANICAL PARTS

-   
 PANHEAD SCREW 4-40 x 3/8
  -   
 PANHEAD SCREW 4-40 x 3/8
  -   
 PANHEAD SCREW 4-40 x 3/8
  -   
 PANHEAD SCREW 4-40 x 3/8
- 
-   
 STANDOFF ALUM HEX 4-40 x .500
  -   
 STANDOFF ALUM HEX 4-40 x .500
  -   
 STANDOFF ALUM HEX 4-40 x .500
  -   
 STANDOFF ALUM HEX 4-40 x .500

 <b>TEXAS INSTRUMENTS</b>		
Title <b>ADS62PXX EVM</b>		
Size <b>B</b>	Document Number <b>ADS62PXX EVM-SCH</b>	Rev <b>B</b>
Date: Sunday, October 14, 2007		
Sheet 3 of 6		

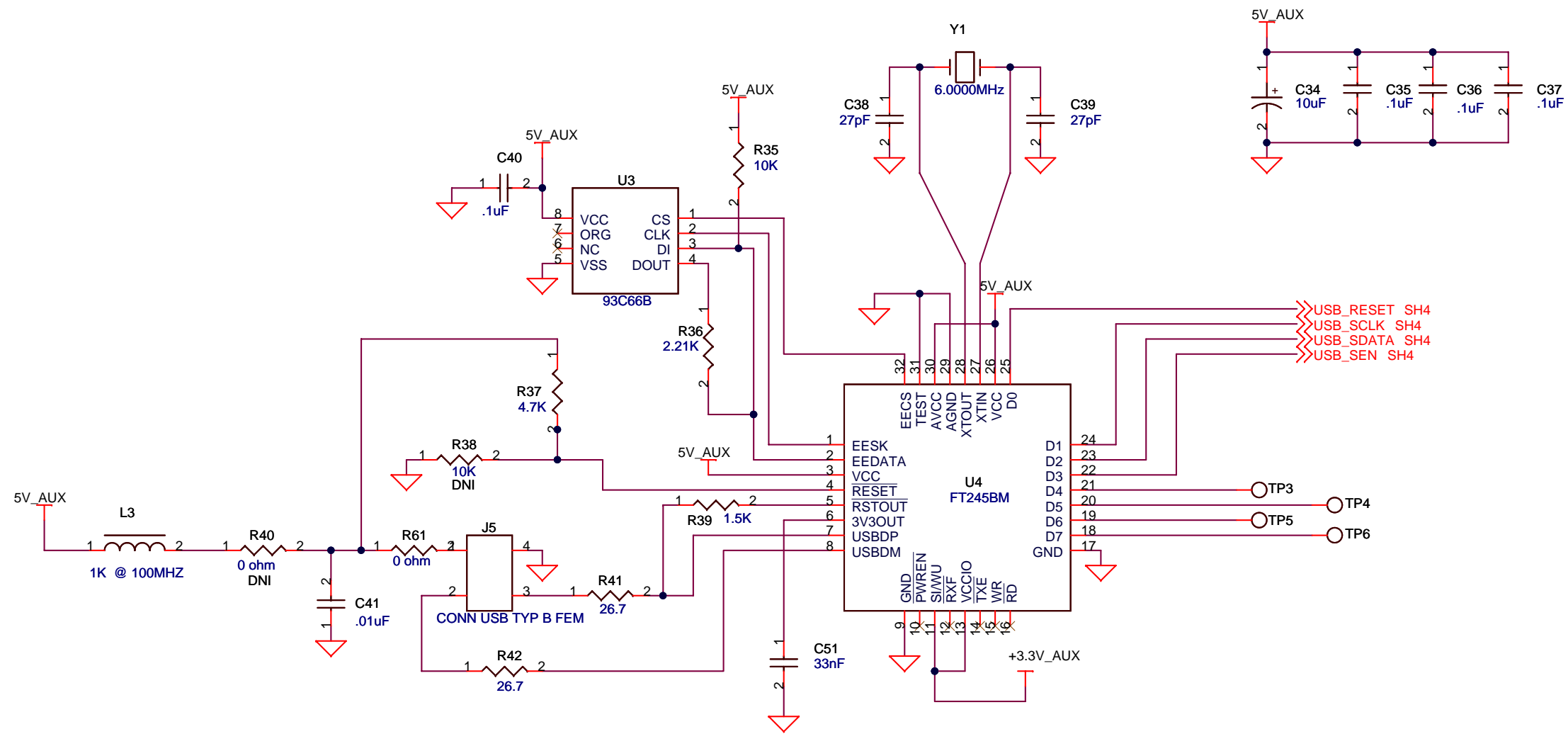


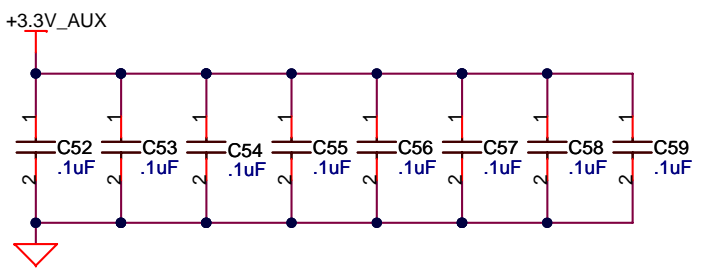
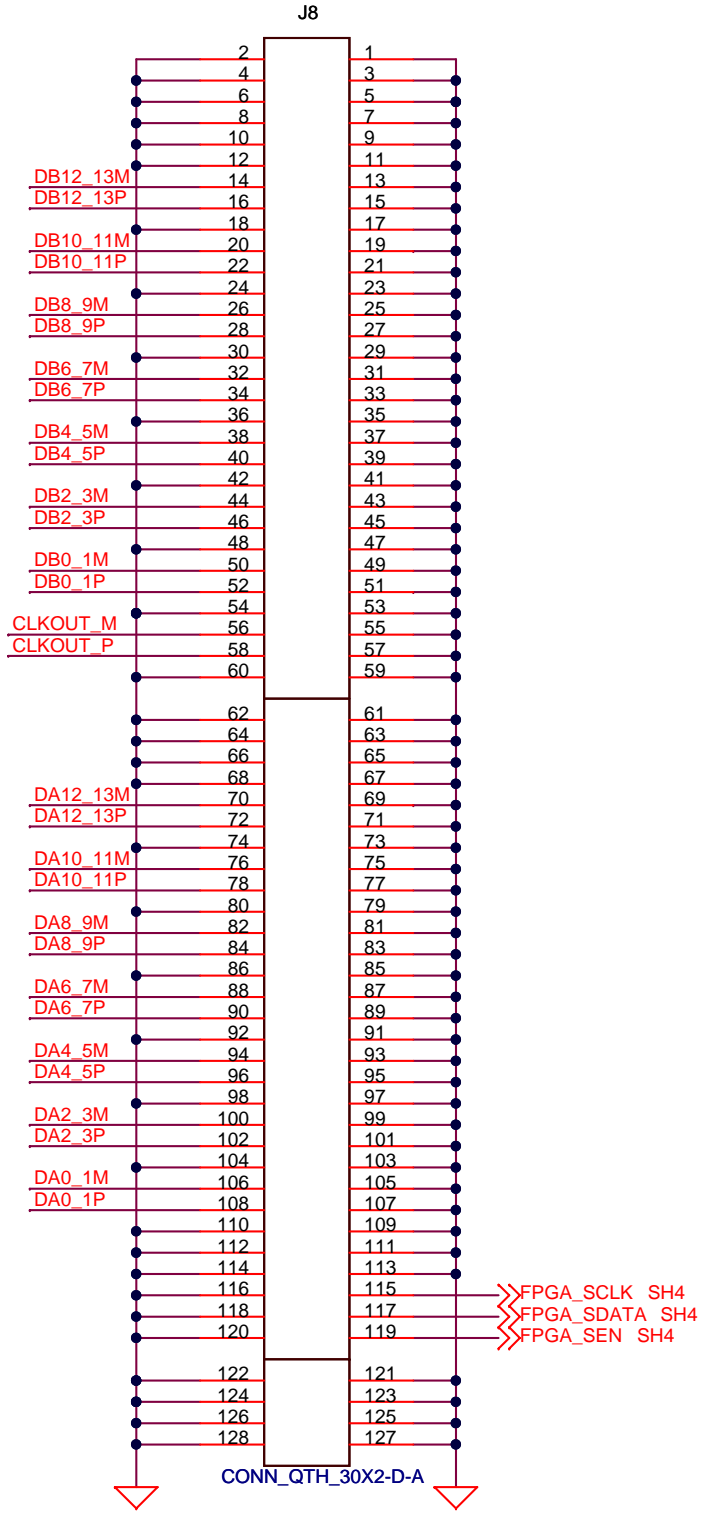
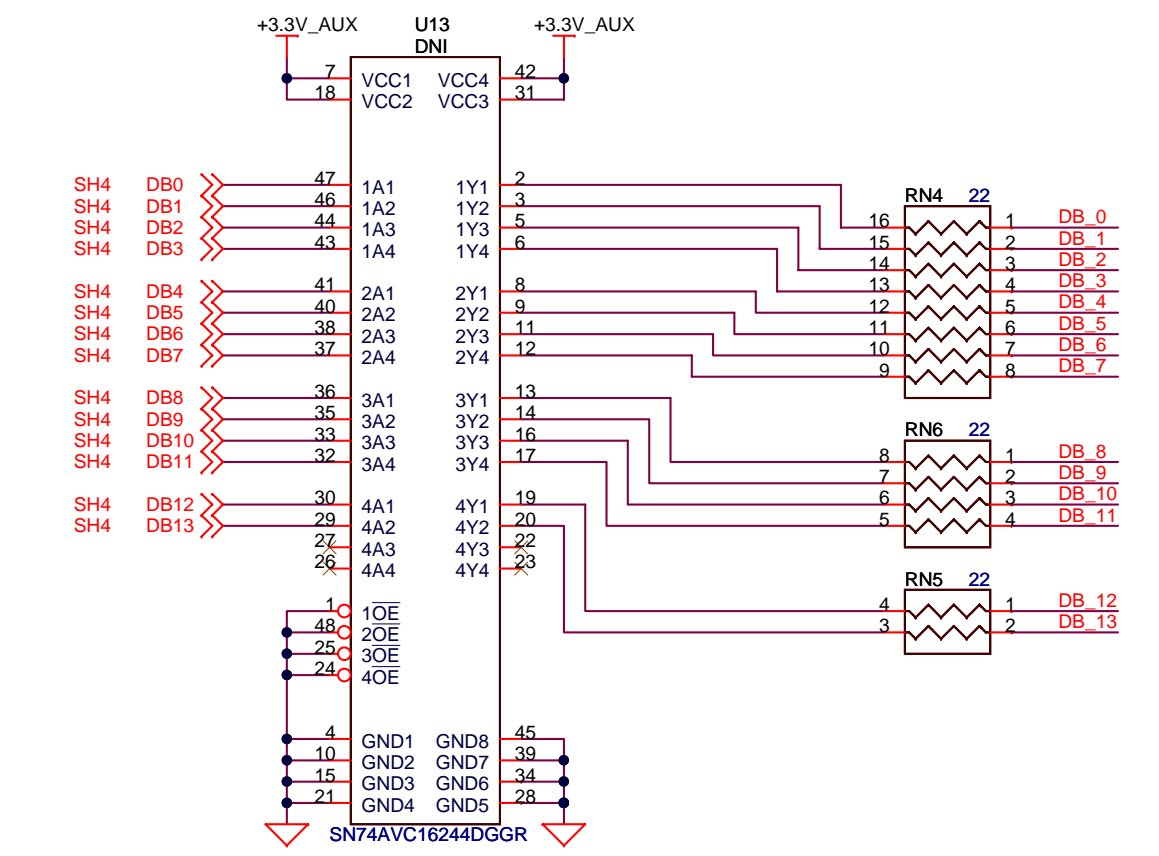
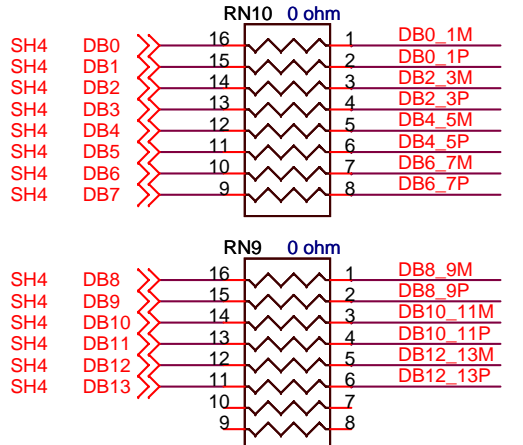
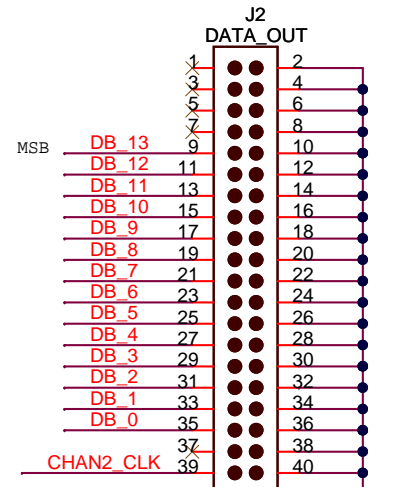
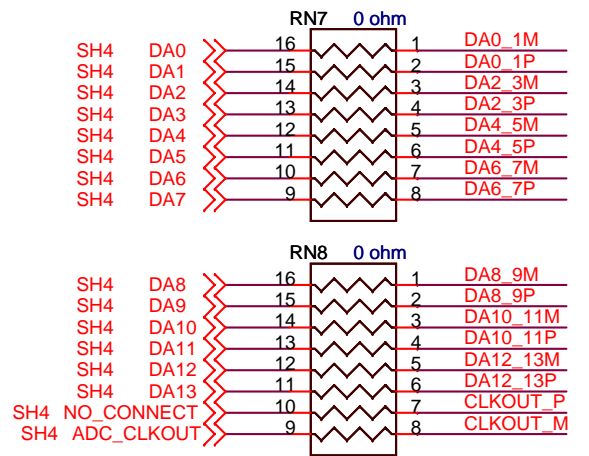
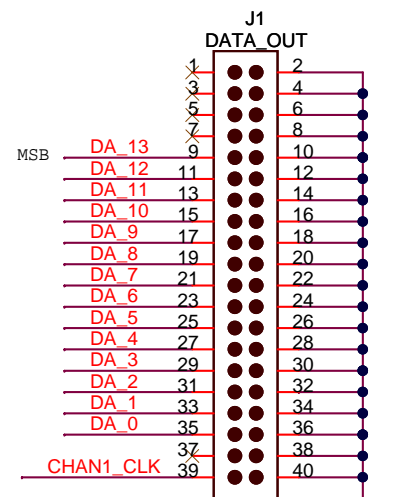
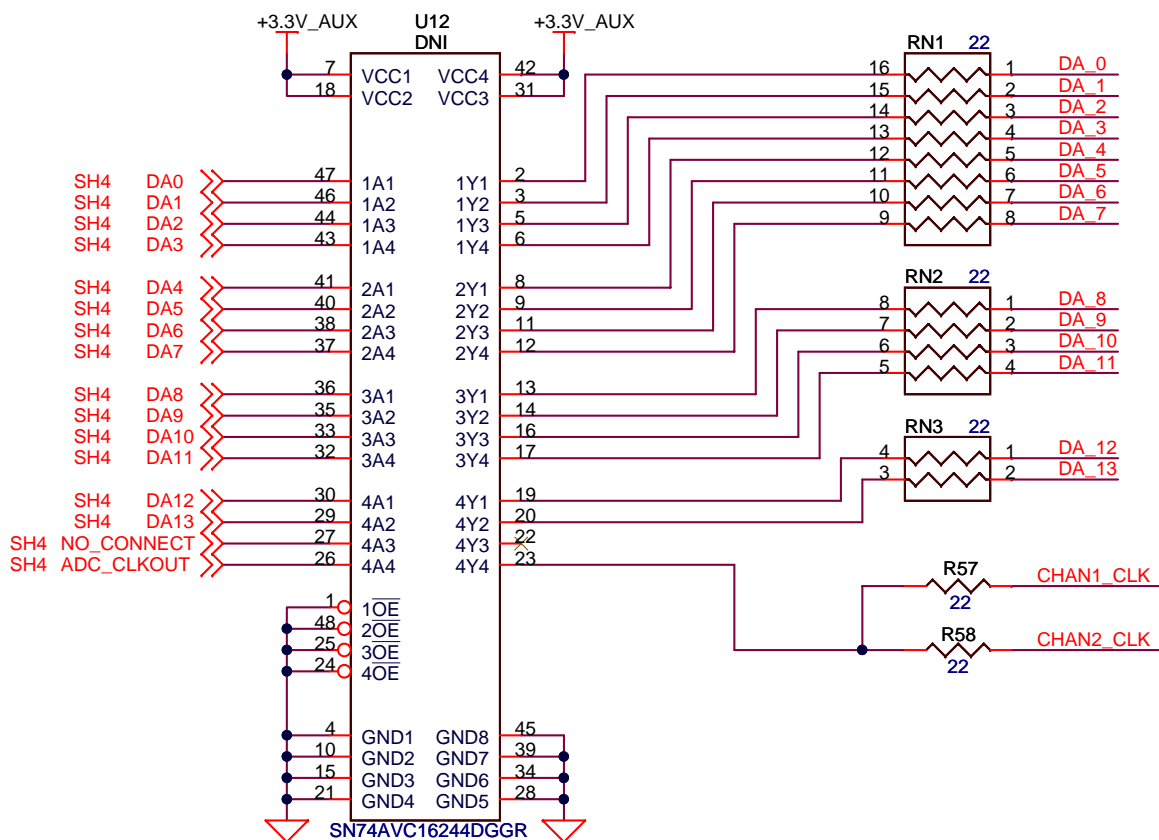
**TEXAS INSTRUMENTS**

Title: **ADS62PXX EVM**

Size: **B** | Document Number: **ADS62PXX EVM-SCH** | Rev: **B**

Date: Wednesday, November 28, 2007 | Sheet 4 of 6





**TEXAS INSTRUMENTS**

Title: **ADS62PXX EVM**

Size: **B** | Document Number: **ADS62PXX EVM-SCH** | Rev: **B**

Date: Wednesday, October 31, 2007 | Sheet: 6 of 6