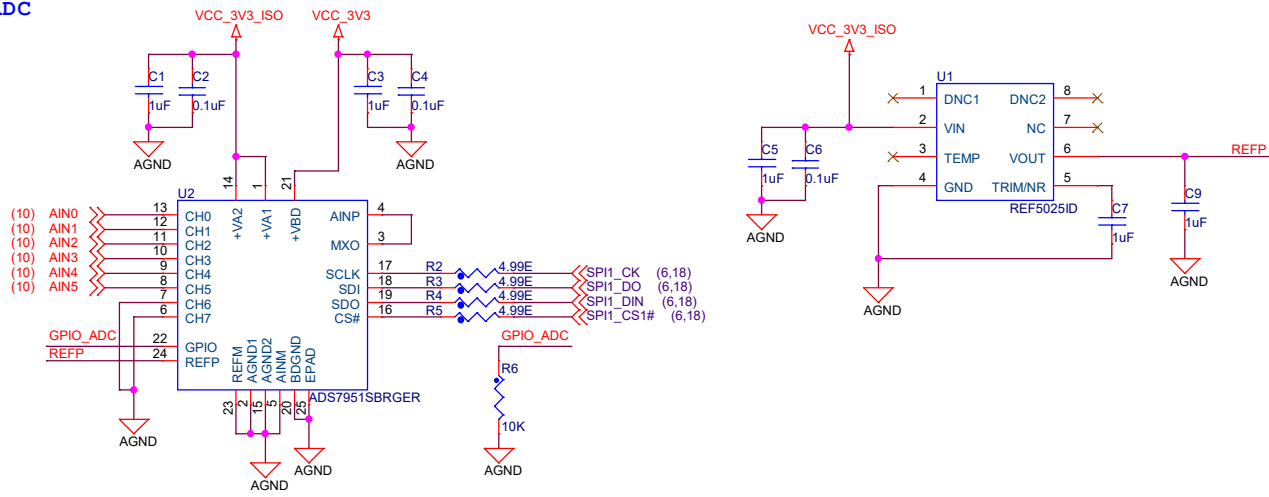
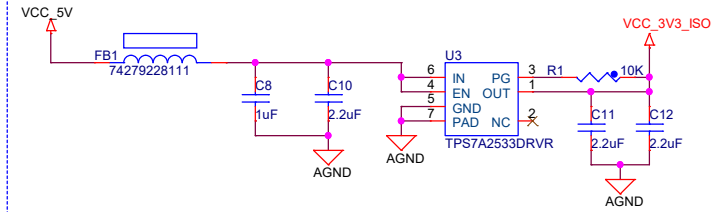


ADC



LDO POWER SUPPLY VCC_3V3_ISO



ADC CHANNELS

