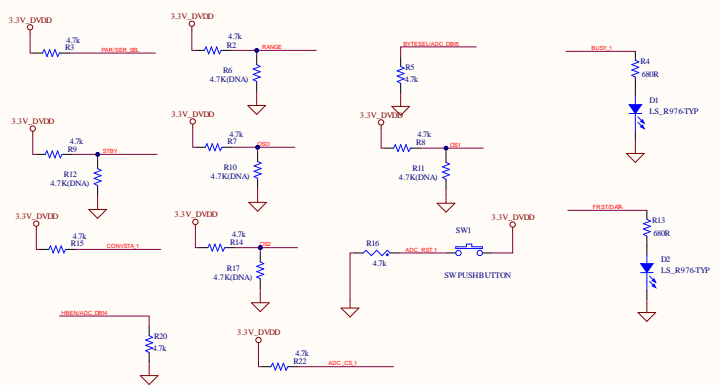
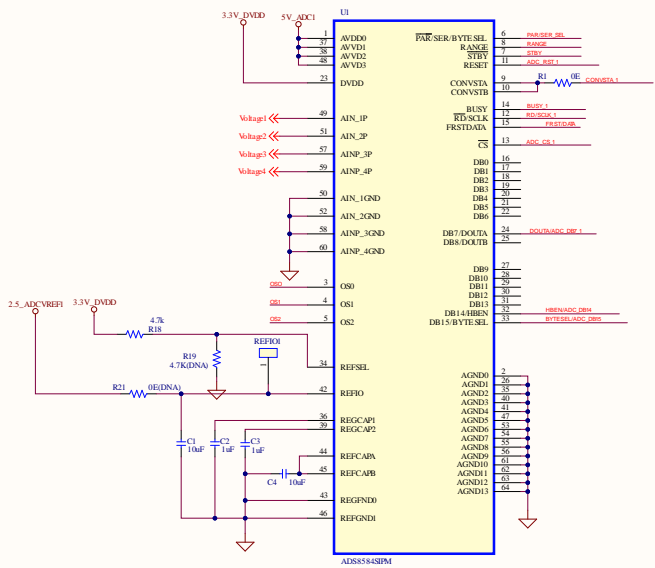
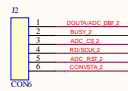
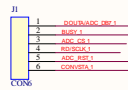


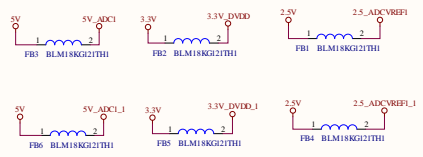
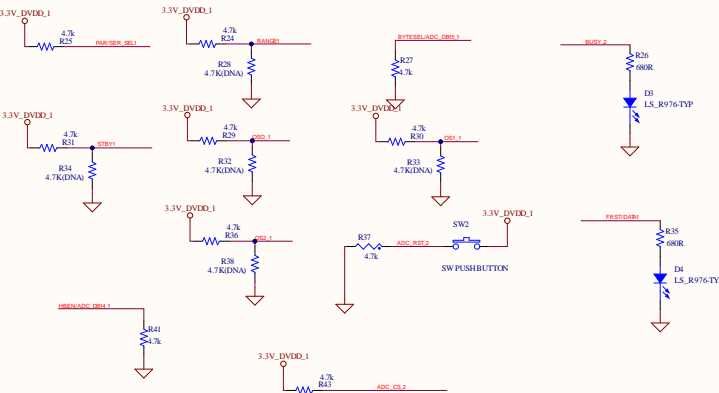
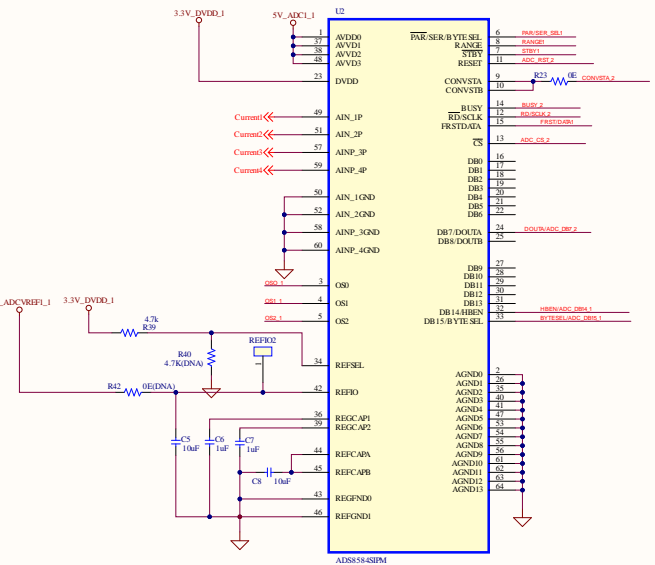
ADC 1



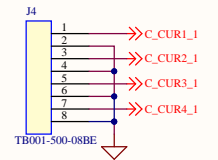
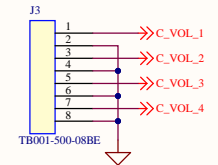
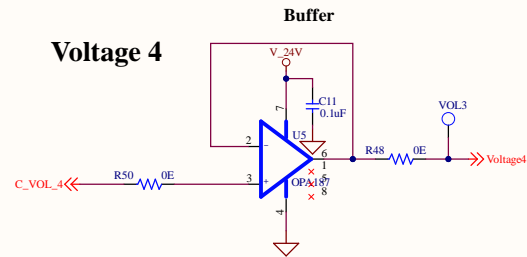
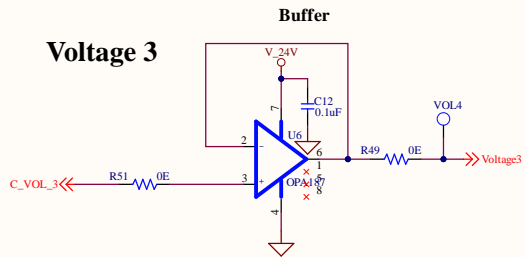
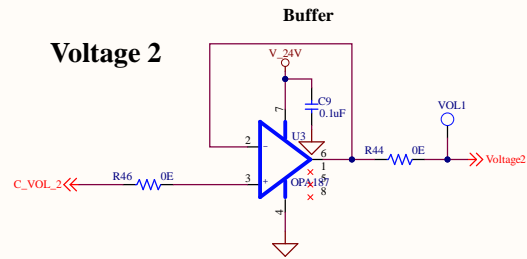
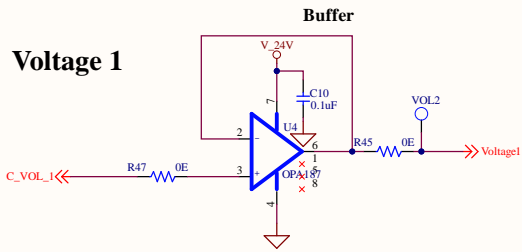
Control Lines



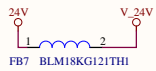
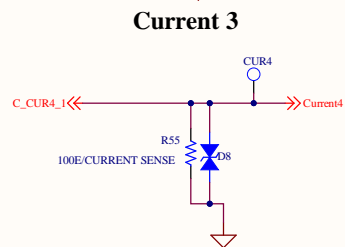
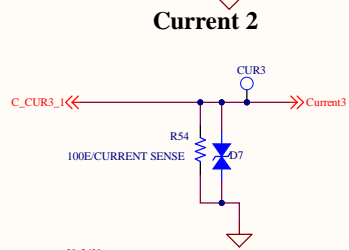
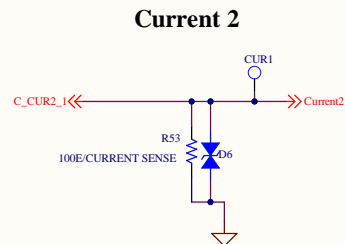
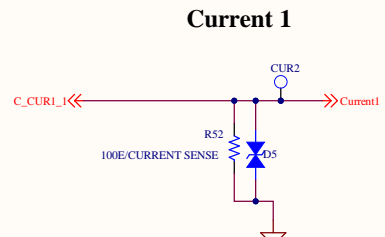
ADC 2



Voltage Measurement



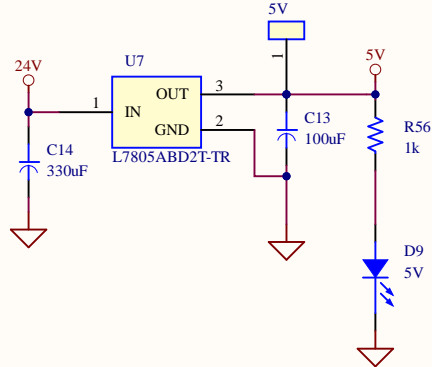
Current Measurement



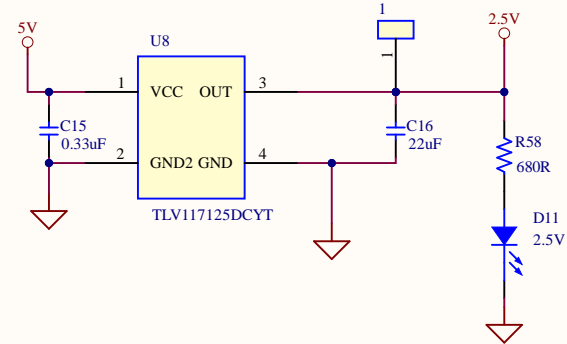
Title		
Size	Document Number	Rev
A		
Date:		Sheet 6 2 of 3

Power Section

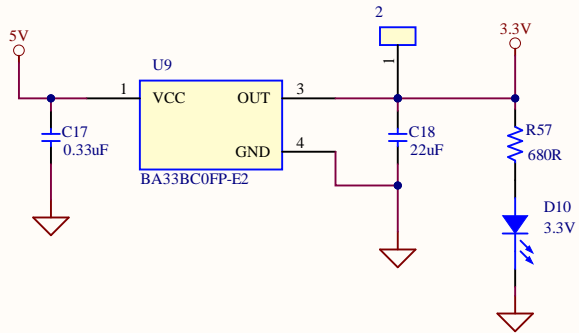
24V TO 5V



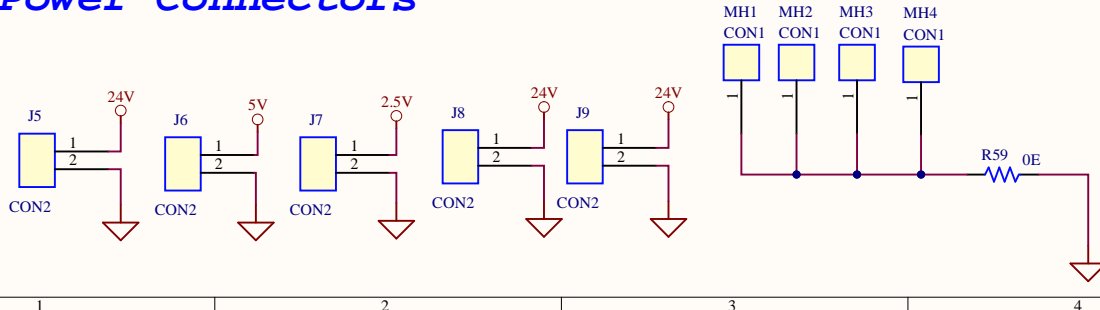
5V TO 2.5V



5V TO 3.3V



Power Connectors



Title		
Size A	Document Number	Rev
Date:	5	Sheet 3 of 3